

⚠ Assembly Tips ⚠

Welcome to the world of RTA (Ready-to-Assembly) furniture, here are a few important notes to help you through the

1- Be organized, before starting any assemble, organize all like items including panels and hardware. Grouping all panels and hardware that are the same is critical. This simple origination can save a lot of time and potential frustration along the journey.

Note: The ASSEMBLY MANUAL AND HARDWARE KIT are in a separate packaging inside the main box.

2- Follow the steps in the assembly manual, the manual is set-up in an order of operations, so you don't get to a step and have to go back because a previous item was no concluded.

3- Breathe and don't feel overwhelmed, RTA has a lot of parts and a lot of steps, take it slow. If you find yourself stuck, **Call** or **Email** us, so we can help you get over any potential humps, that is what we are here for.

Toll-free Number: 1-877-250-2820

EMAIL: CS@kintlgrp.com

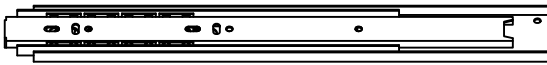
⚠ TELESCOPIC DRAWER GLIDES ⚠

The following information pertains specifically to the TELESCOPIC DRAWER GLIDES.

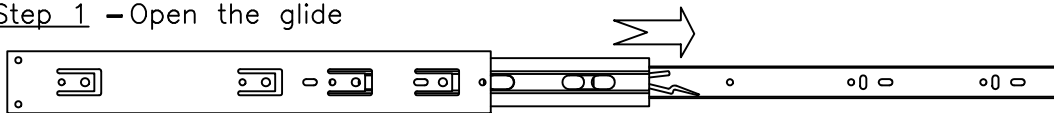
Please note- to properly install the Drawer Glides, please follow these instructions.

1- The Telescopic Glides come pre-attached; one part must be removed to be attached to the side of the Drawer.

View upon unboxing the Drawer Glides

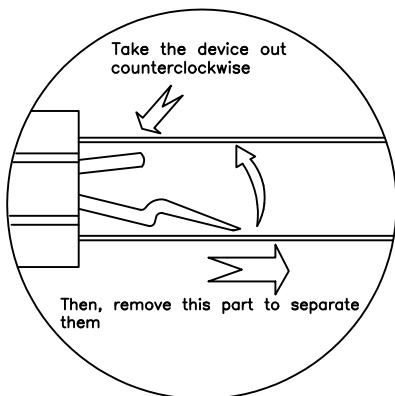
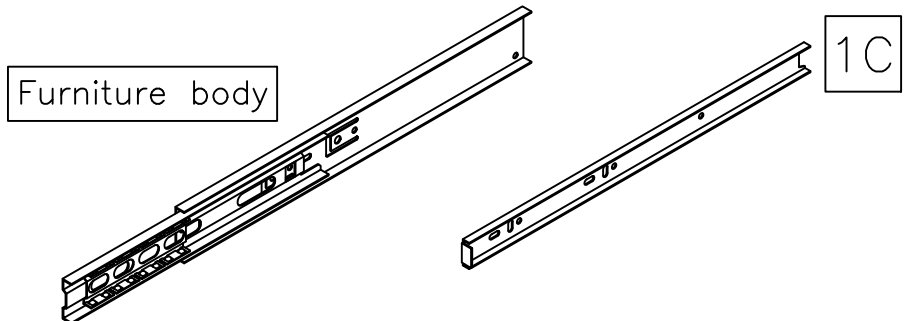


Step 1 - Open the glide

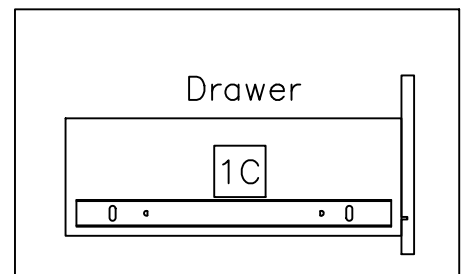


Step 2 Removing the Drawer attachment piece - This can be done by raising the black clip found in the diagram

Once raised, gently pull forward and apart. This removed part labeled 1C below, is the item that is to be screwed to the side of the drawer (found in the assembly manual labeled step 1C). The other part is to be attached to the side and/or center panels of the furniture.



The slides should be aligned with the bottom of the drawer sides.

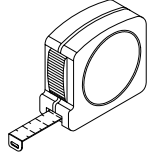
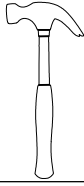
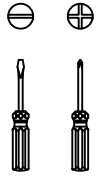
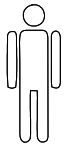


ASSEMBLY INSTRUCTIONS

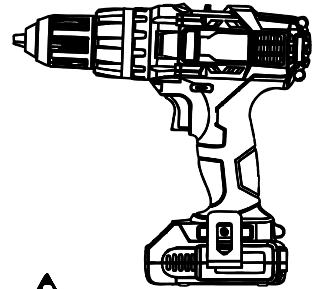
01/16
EU001



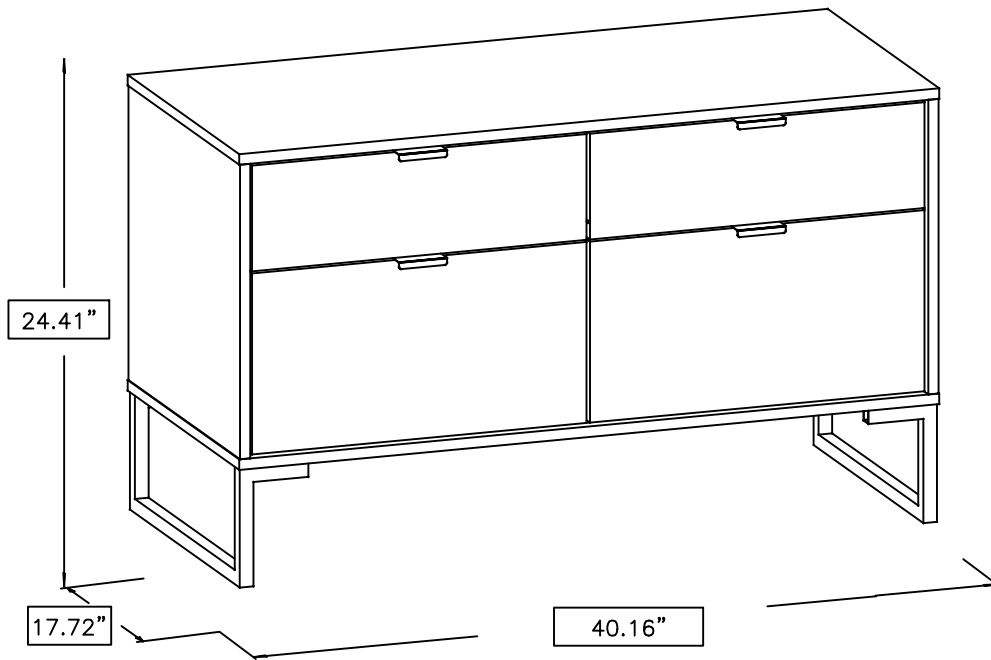
Warning –
CHOKING HAZARD – Small Parts Not for children under 3 years. Adult assembly required.



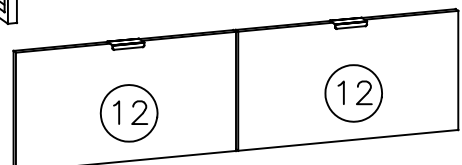
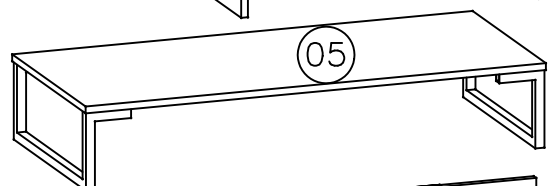
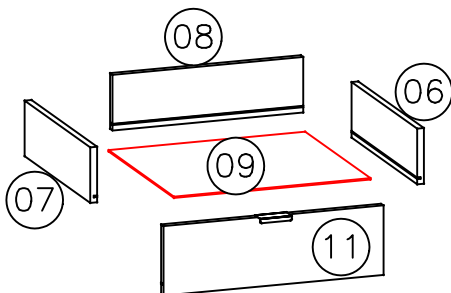
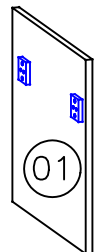
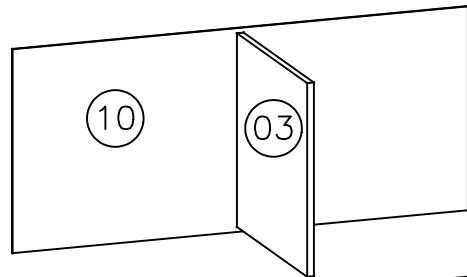
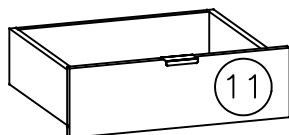
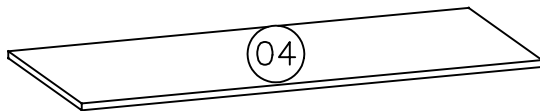
90mins



Although not required, it is recommended that a drill be used to help ease the assembly process, as some holes are not pre-drilled.



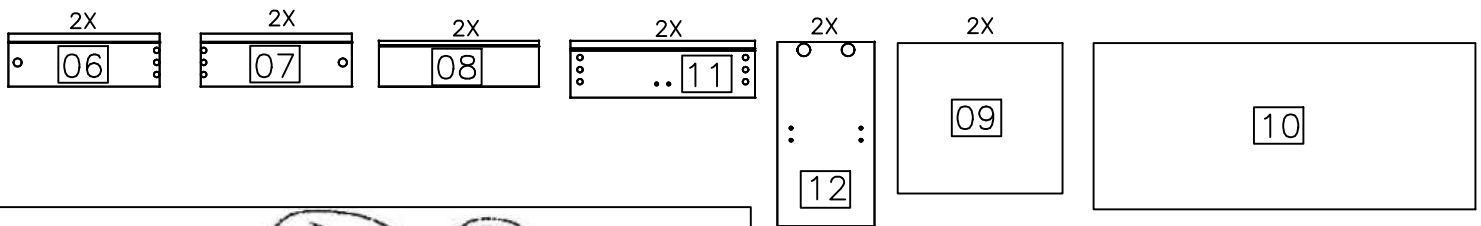
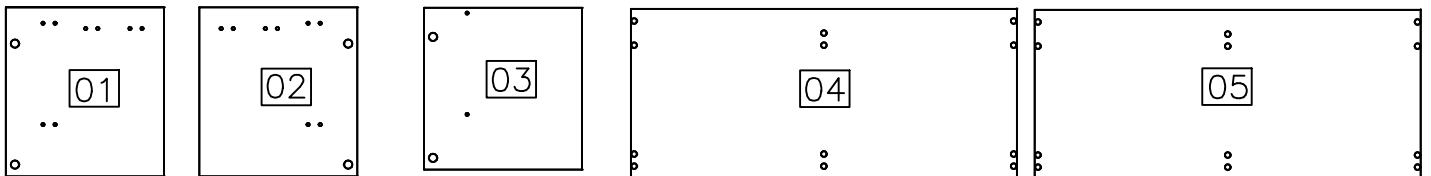
Part Identification



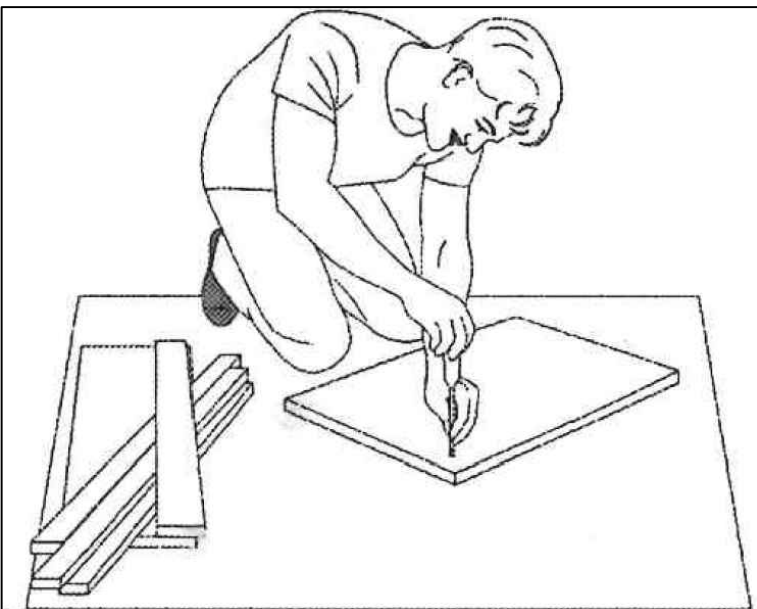
List of pieces

| Code | Description | Amount | Length (in.) | Width (in.) | Thickness (in.) | Box |
|------|----------------------|--------|--------------|-------------|-----------------|-----|
| 01 | Right side panel | 1 | 16.46" | 17.60" | .59" | A |
| 02 | Left side panel | 1 | 16.46" | 17.60" | .59" | A |
| 03 | Division | 1 | 16.46" | 16.85" | .59" | A |
| 04 | Top panel | 1 | 40.20" | 17.60" | .59" | A |
| 05 | Base panel | 1 | 40.20" | 17.60" | .59" | A |
| 06 | Right side of drawer | 2 | 15.75" | 4.72" | .59" | A |
| 07 | Left side of drawer | 2 | 15.75" | 4.72" | .59" | A |
| 08 | Back of drawer | 2 | 16.65" | 4.72" | .59" | A |
| 09 | Drawer bottom | 2 | 17.17" | 15.67" | .12" | A |
| 10 | Back panel | 1 | 39.76" | 17.32" | .12" | A |
| 11 | Front of drawer | 2 | 19.21" | 5.91" | .59" | A |
| 12 | Doors | 2 | 19.21" | 10.12" | .59" | A |

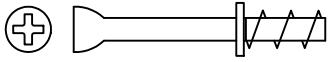
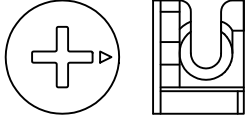
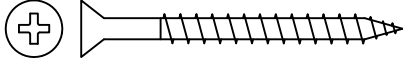
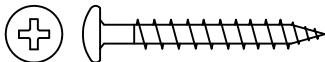

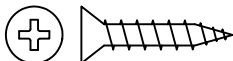

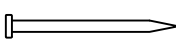
Prior to assembly, please ensure that all the Panels listed below are complete. If any pieces are missing or damages, please contact us directly at our Email CS@K1intlgrp.com or Toll-free 1-877-250-2820



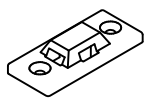

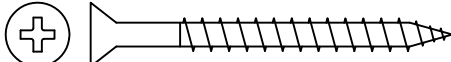

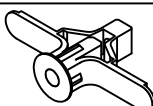
It is recommended the use of the box in which your furniture arrived in, be opened, and laid out on the floor as your work area. This helps prevent an unnecessary damages from occurring.



TOTOCSCALE

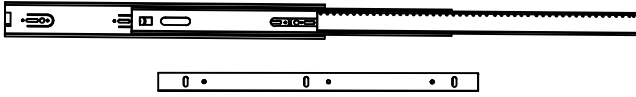
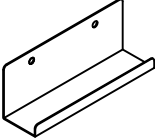
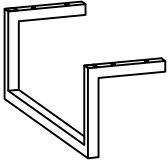
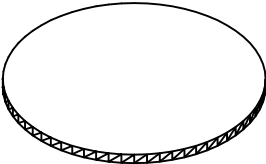
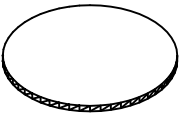
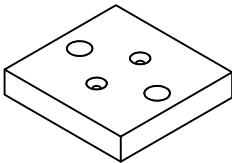
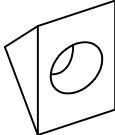
| Hardware | | | |
|----------|-------|--|-------|
| | Code | Description | Amou. |
| A | 30945 |  Cam Screws | 10 |
| B | 30950 |  Cam Locks | 10 |
| C | 226 |  Screw 4x40 | 10 |
| D | 379 |  Screw 4,0x30 | 8 |
| E | 1802 |  Dowel 6x30mm | 28 |
| F | 5256 |  Screw 4,0x20 | 4 |
| G | 4214 |  Screw 3,5x14 | 38 |
| H | 107 |  Nail 10x10 | 29 |

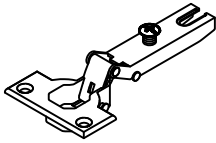

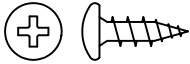
Anti-tipping installation

| | | | |
|---|-------|---|---|
| I | 55606 |  Mounting bracket | 2 |
| J | 55607 |  Clamp | 1 |
| K | 51980 |  Screw 4,5x50 | 2 |
| L | 1178 |  Parafuso/ Tornillo/ Screw 3,5x16 BC | 2 |
| M | 32069 |  Adapter sleeve | 2 |



N
O
T
T
O
T
O
S
C
A
L
E

| | | | | |
|---|---|---|--------------------------------|----|
| N | 43136 |  | Metal slide 350mm | 2 |
| O | BR=40726 (Branco) EBPR1=39999 (Preto fosco) GIBR1=40726 (Branco fosco) ITAR1=54043 (Off White) |  | Handle 70mm | 4 |
| P | BR=55387 (Branco) EBPR1=55389 (Preto fosco) GIBR1=55387 (Branco fosco) ITAR1=55388 (Off White) |  | Metal foot tube | 2 |
| Q | BR=44156 (Branco) EBPR1=50493 (Ebano Grigio) GIBR1=45005 (Gianduia) ITAR1=40392 (Itapuã) |  | Screw cap cover 19mm | 10 |
| R | BR=44157 (Branco) EBPR1=09399 (Ebano Grigio) GIBR1=22659 (Gianduia) ITAR1=40391 (Itapuã) |  | Screw cap cover 13mm | 14 |
| S | BR=55558 (Branco) EBPR1=55287 (Preto) GIBR1=55558 (Branco) ITAR1=55287 (Preto) |  | Retractor | 4 |
| T | 18458 |  | Black triangular support | 4 |

| | | | | |
|---|-------|---|-----------------------|----|
| U | 05123 |  | Hinge 35mm | 4 |
| V | 05123 |  | Shim | 4 |
| W | 05123 |  | Hinge screw 4,0x14 | 16 |

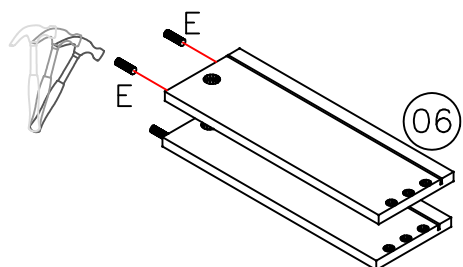
| |
|--|
| 01 Saco médio para acessórios (Internal production data) |
| 01 Saco médio para puxador (Internal production data) |



1A Drawer Preassembly


This process is repeated twice

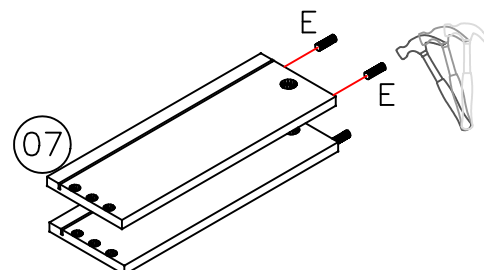
| | | |
|---|---|---|
| E |  | 4 |
|---|---|---|



1B Drawer Preassembly

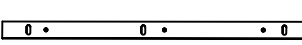

This process is repeated twice

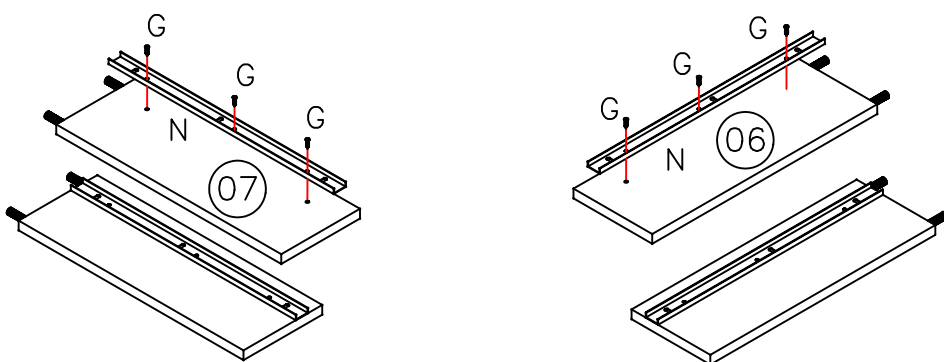
| | | |
|---|--|---|
| E |  | 4 |
|---|--|---|



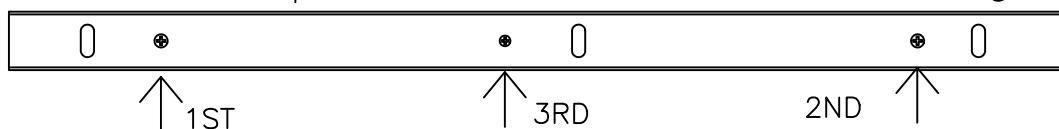
1C Drawer Preassembly

This process is repeated twice

| | | |
|---|---|----|
| N |  | 4 |
| G |  | 12 |



Correct position of the screws "G"



To adjust the height of the drawer, the "G" screw must be placed in the oval horizontal spacing of the "N" rail



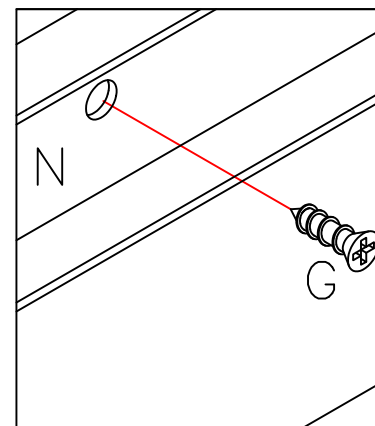
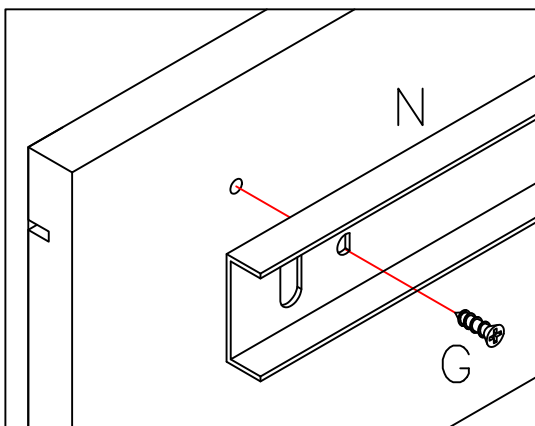
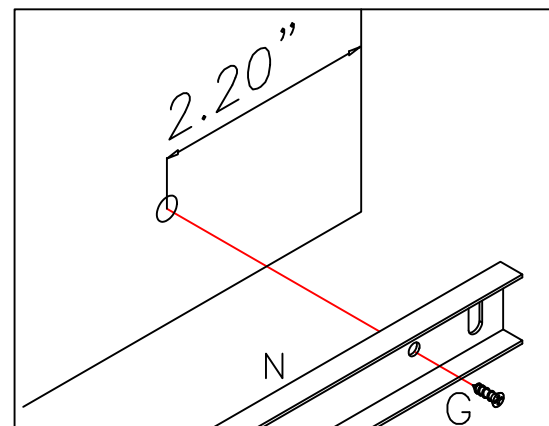
1ST



2ND



3RD



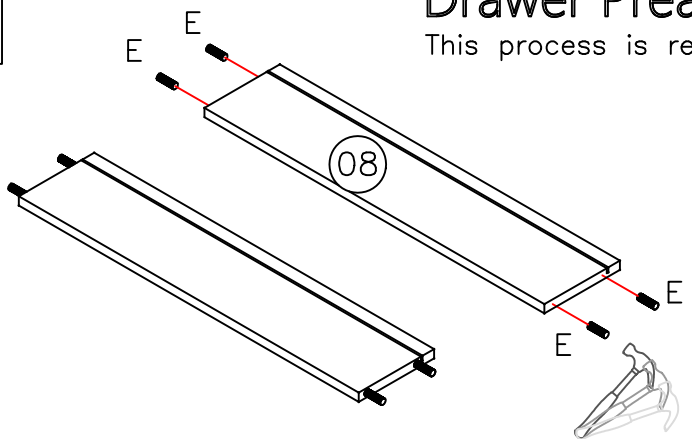
Use the indent as a guide for installing the rails




1D

Drawer Preassembly

This process is repeated twice





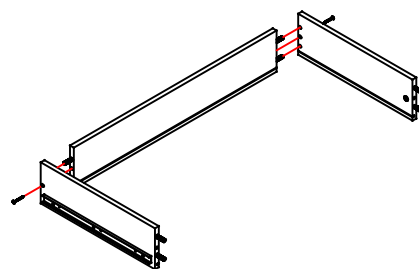
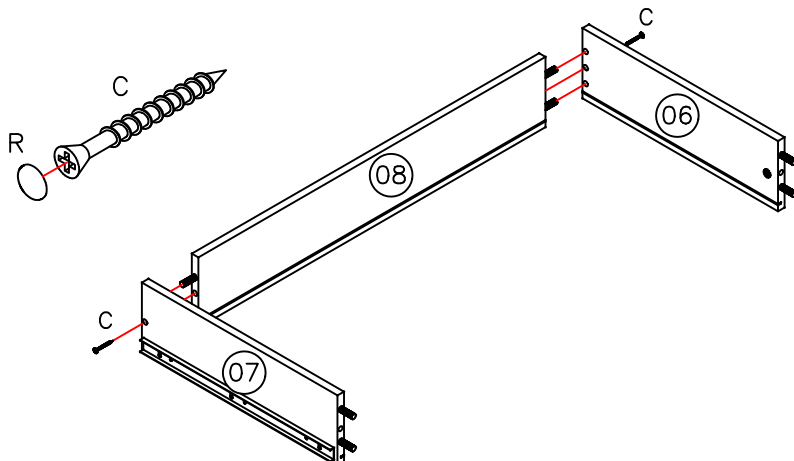
| | | |
|---|---|---|
| E |  | 8 |
|---|---|---|

2

Drawers Mounting

This process is repeated twice


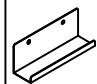

| | | |
|---|---|---|
| C |  | 4 |
| R |  | 4 |

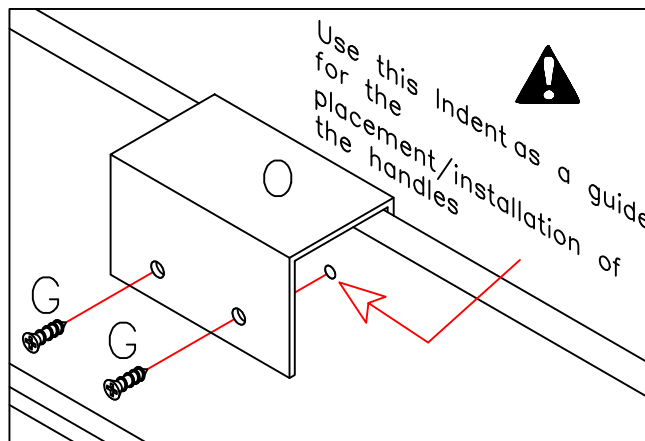
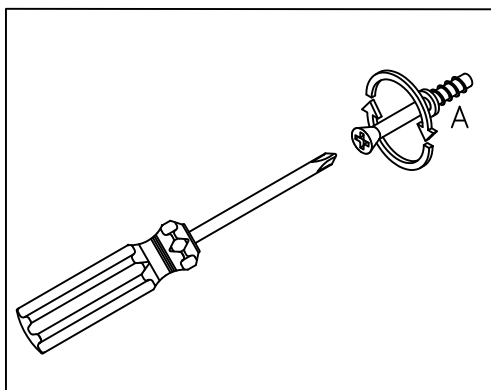
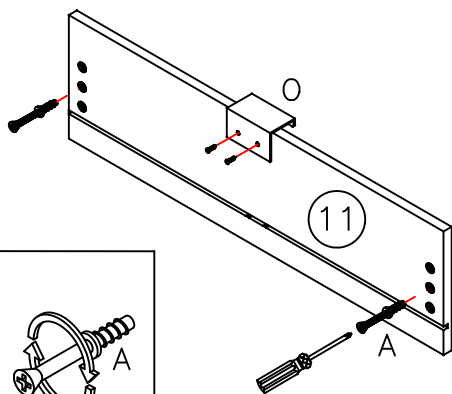


3

Drawer Assembly

This process is repeated twice

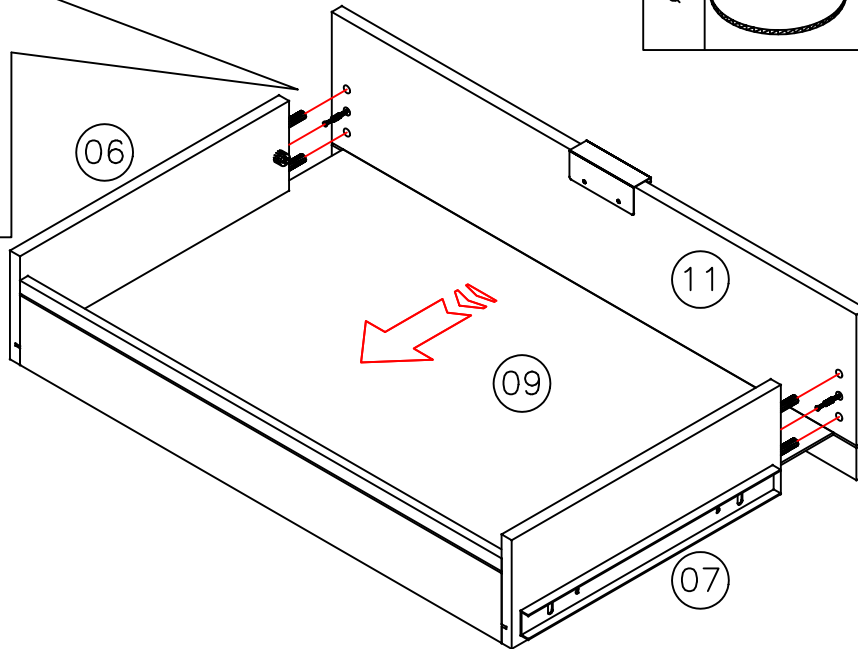
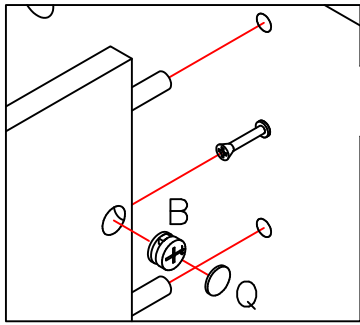
| | | |
|---|---|---|
| A |  | 4 |
| O |  | 2 |
| G |  | 4 |



4

Drawers Mounting

This process is repeated twice

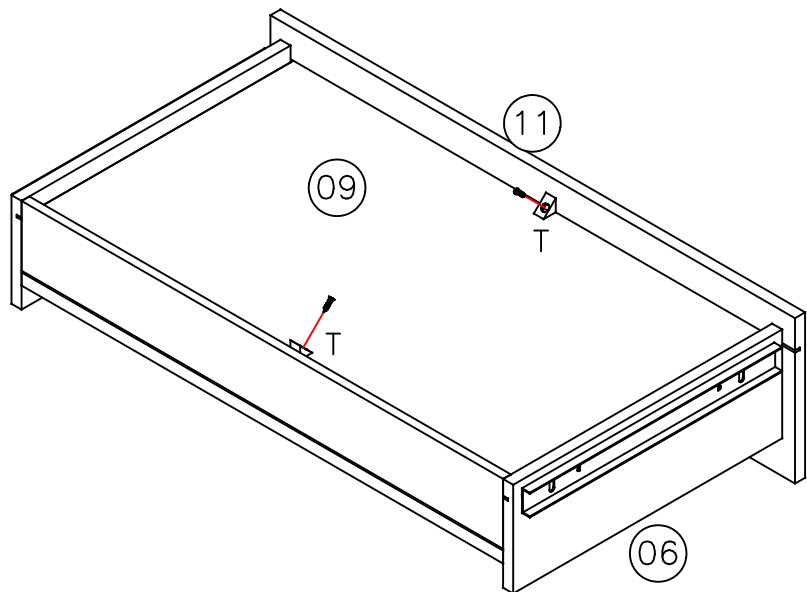
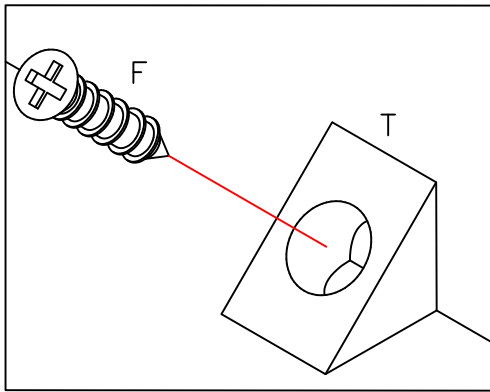


| | | | |
|---|--|--|---|
| B | | | 4 |
| Q | | | 4 |

5

Drawer final assembly

This process is repeated twice



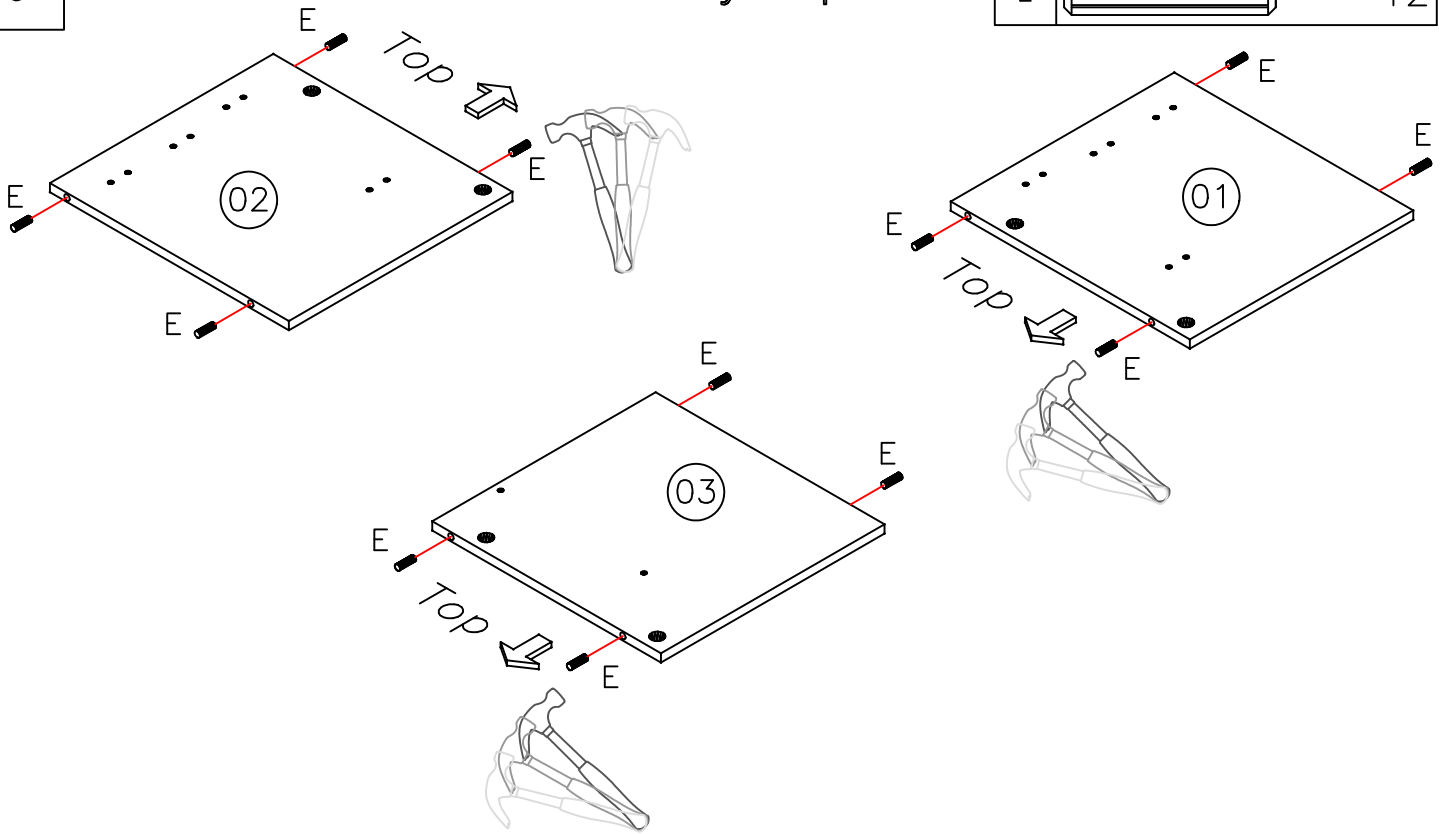
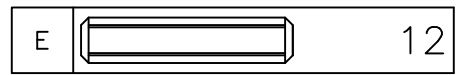
| | | | |
|---|--|--|---|
| F | | | 4 |
| T | | | 4 |

If you have any further questions regarding the assembly of the drawer, access the website through the QR CODE

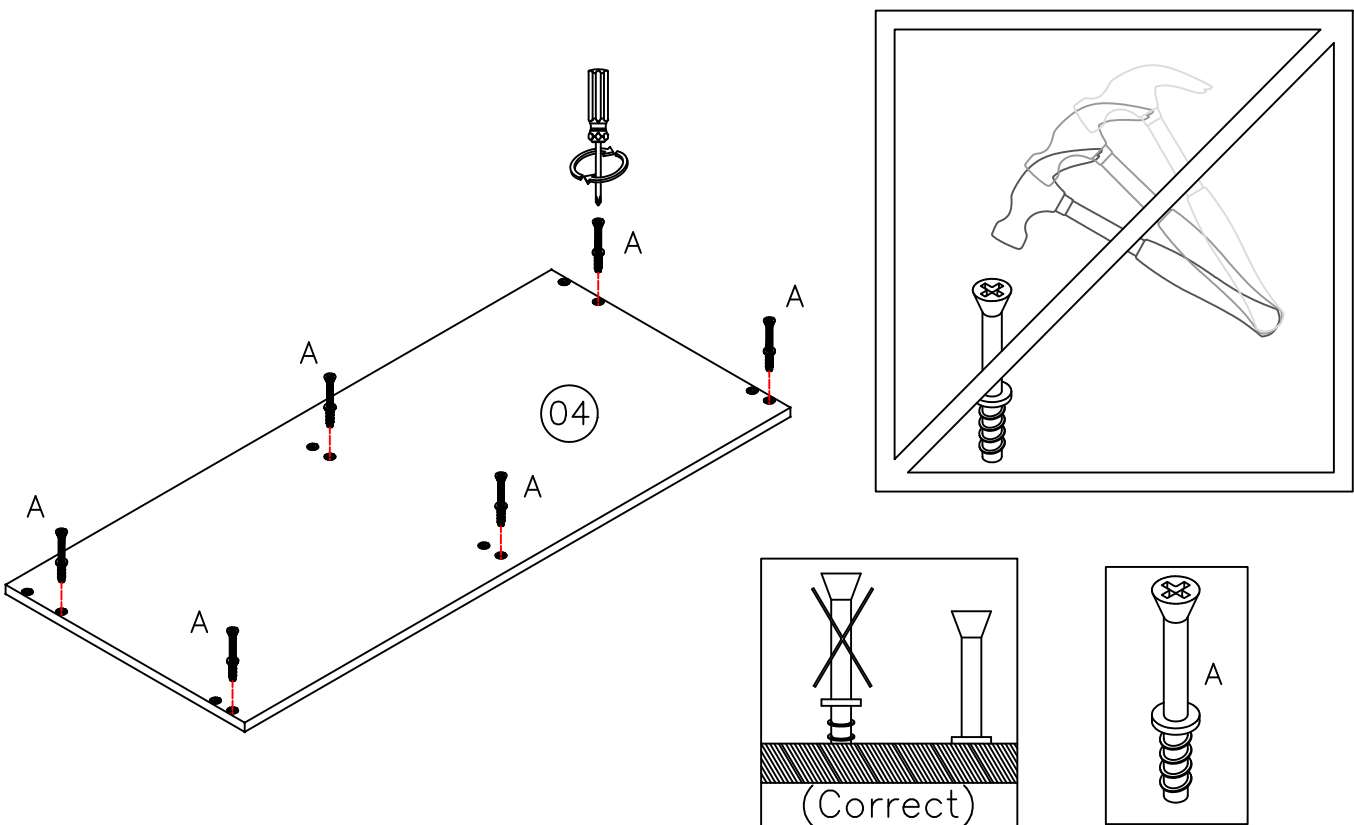
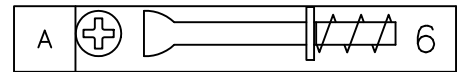


6

Preassembly of parts



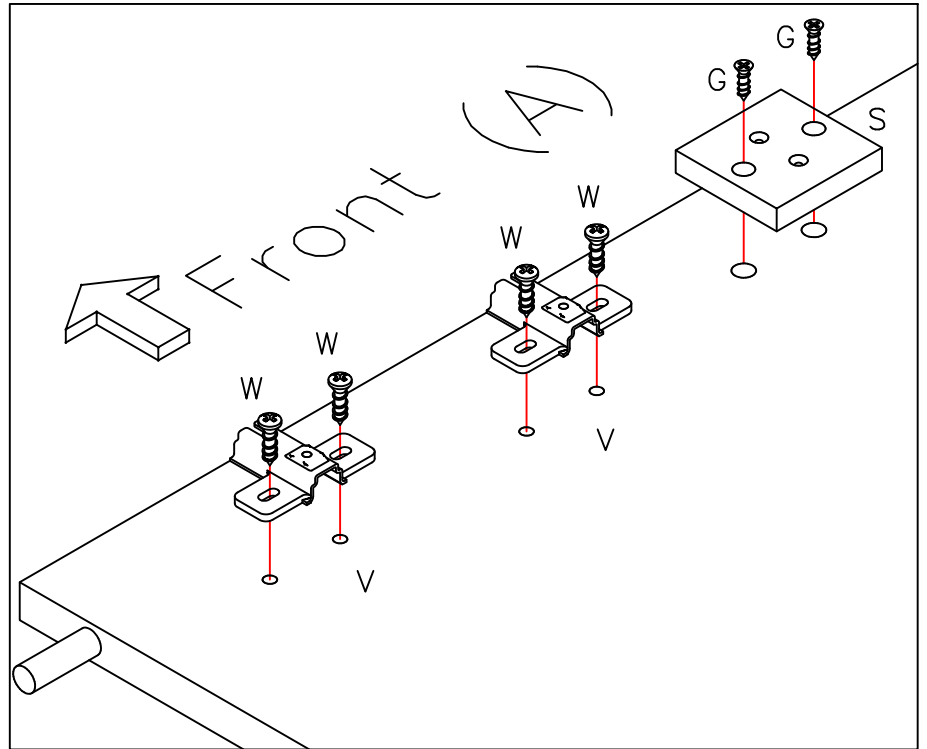
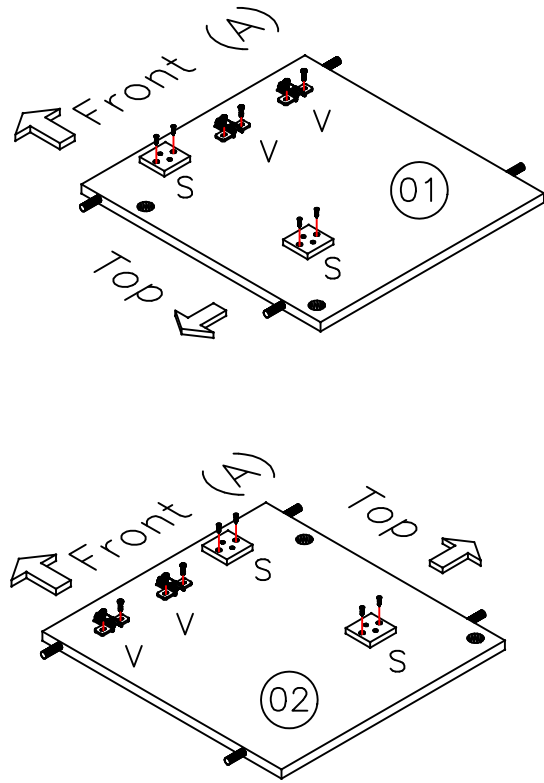
7



8

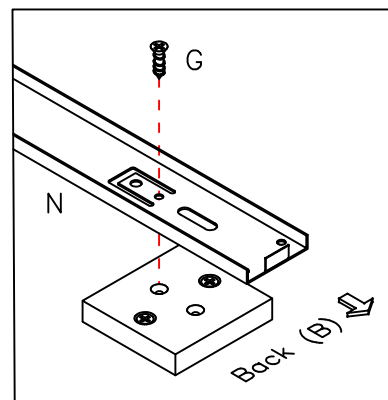
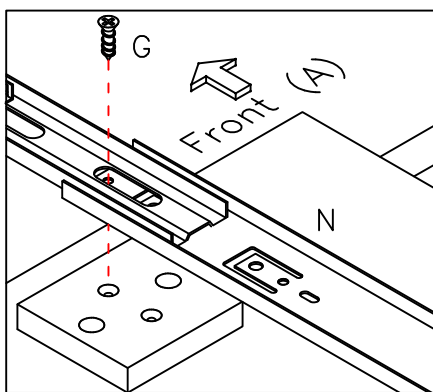
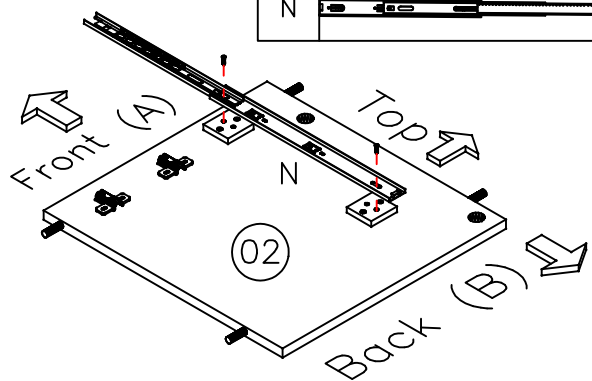
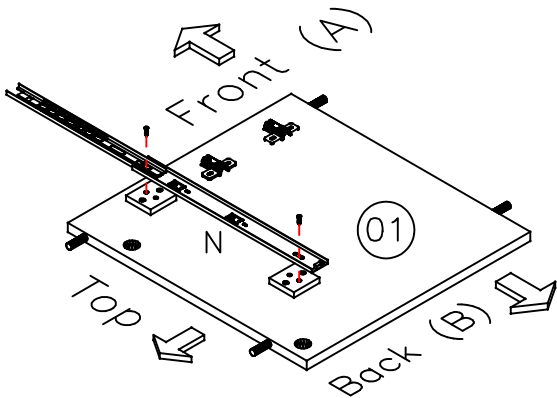
Preassembly of parts

| | | |
|---|--|---|
| G | | 8 |
| S | | 4 |
| V | | 4 |
| W | | 8 |





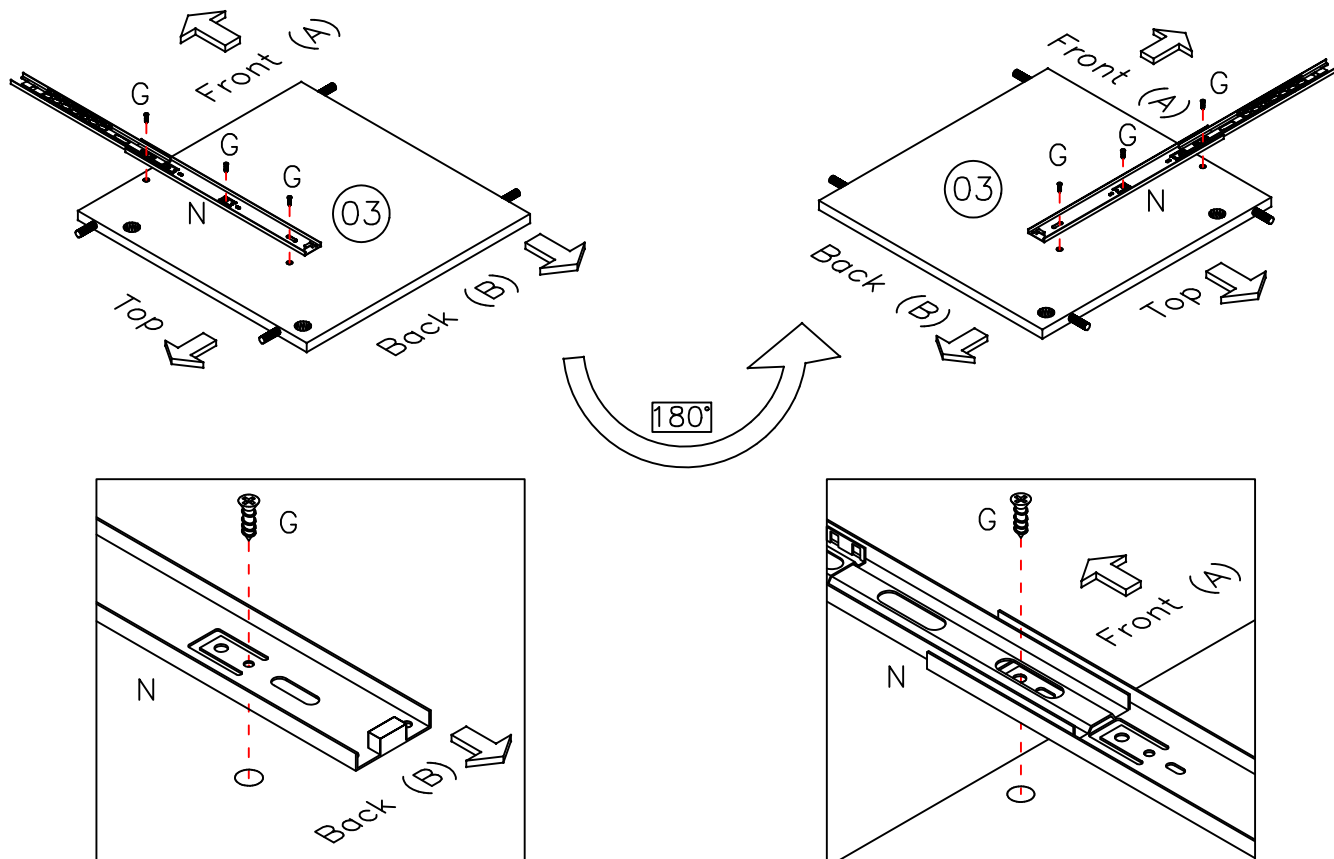
9

| | | |
|---|--|---|
| G | | 4 |
| N | | 2 |

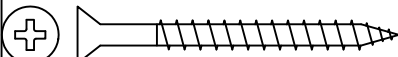



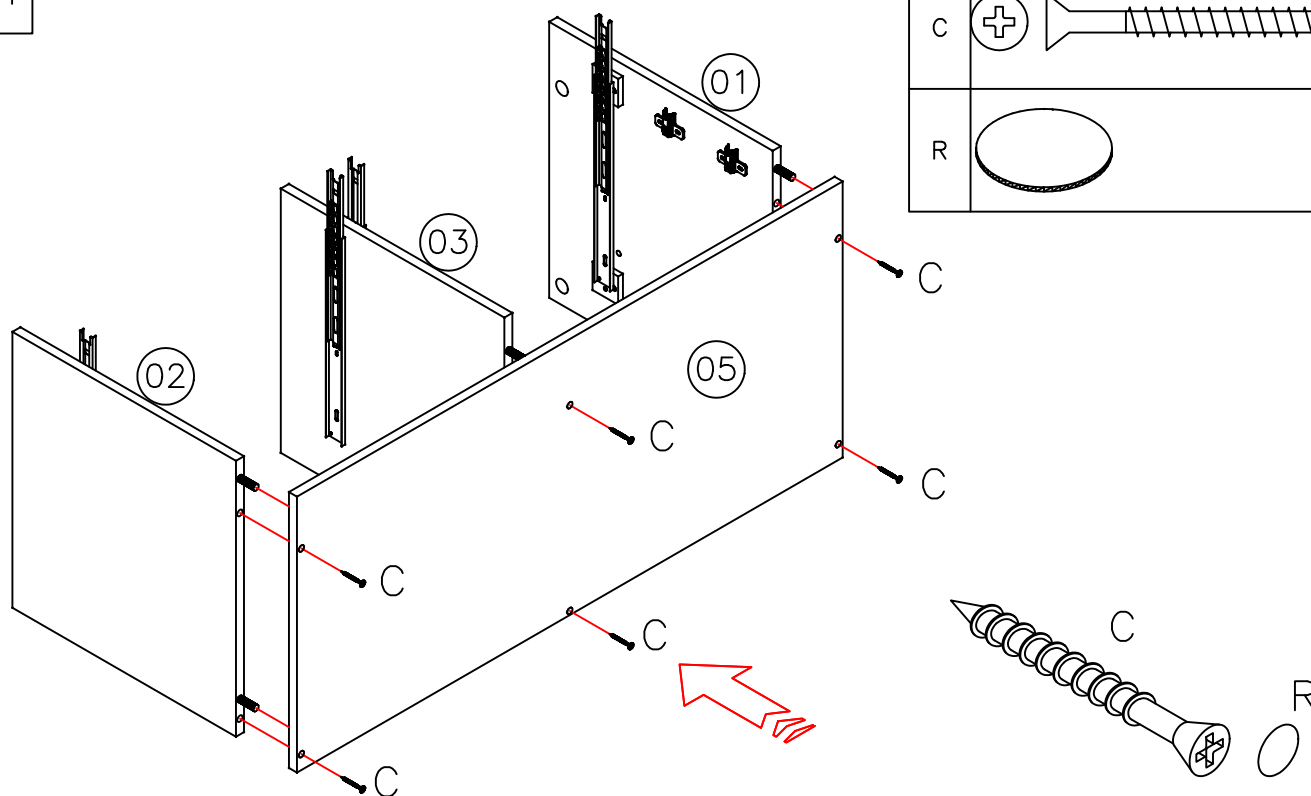
10

| | | |
|---|---|---|
| G |  | 6 |
| N |  | 2 |



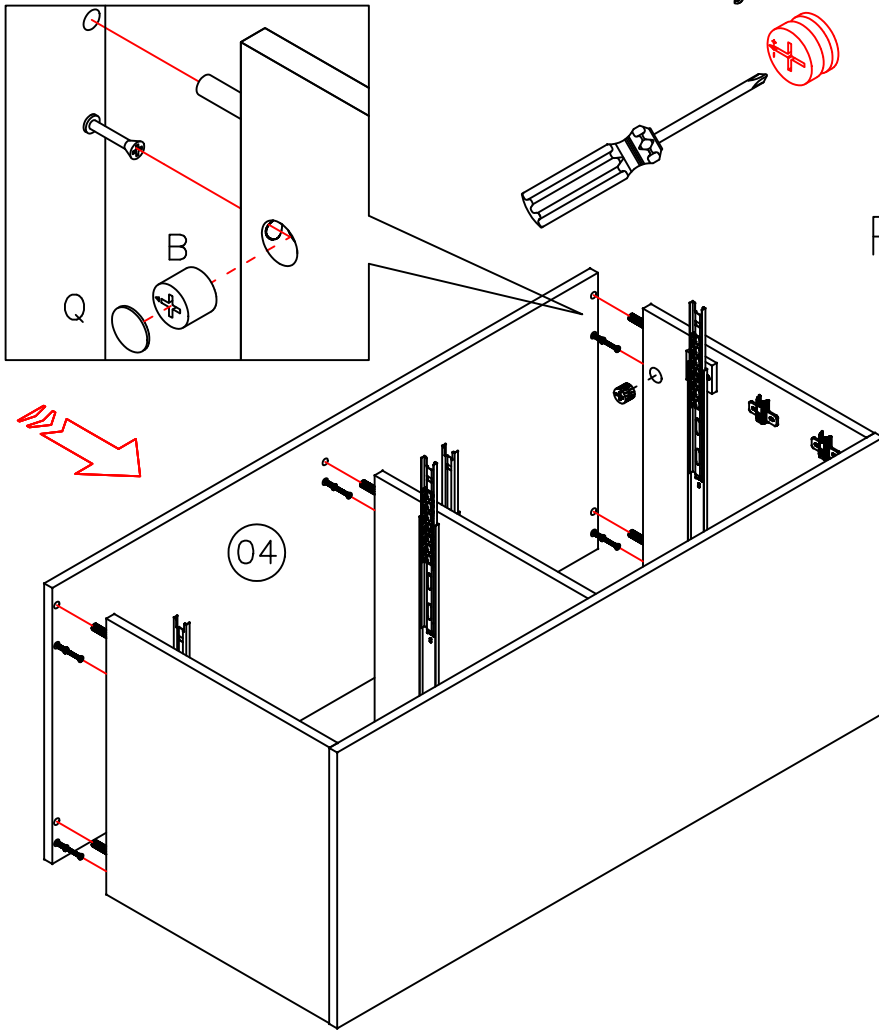
11

| | | |
|---|---|---|
| C |  | 6 |
| R |  | 6 |



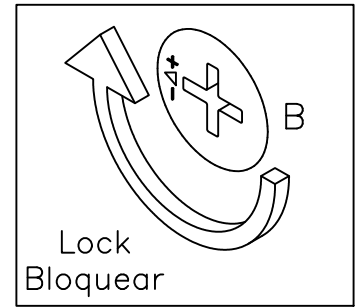
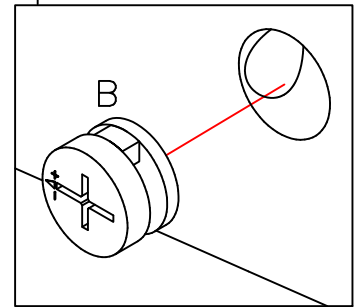
12

Product Assembly

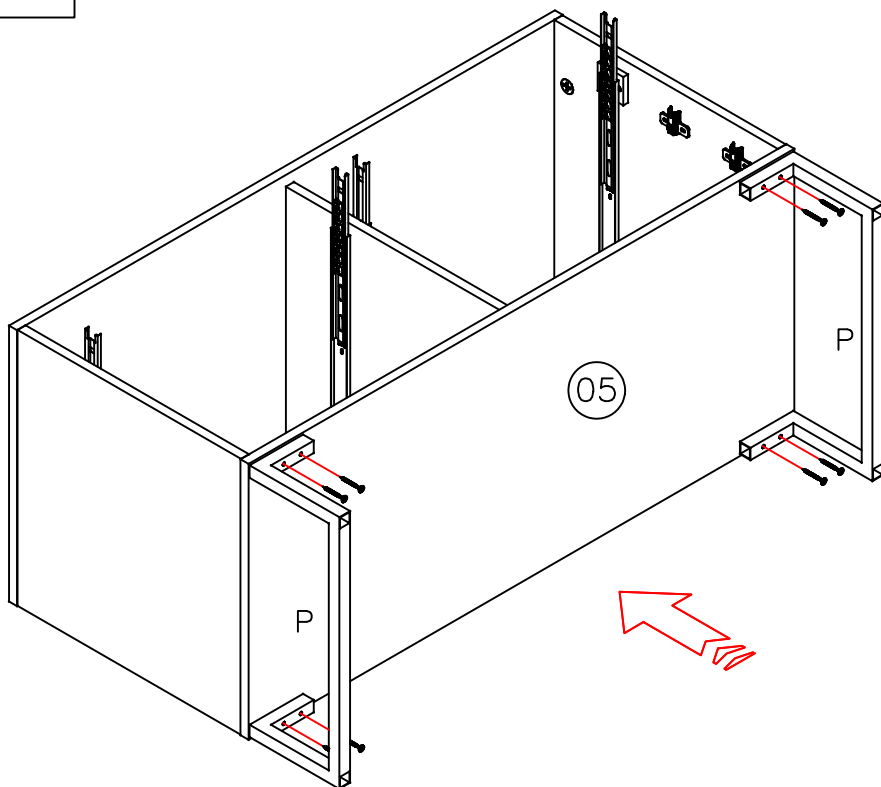


| | | |
|---|--|---|
| B | | 6 |
| Q | | 6 |

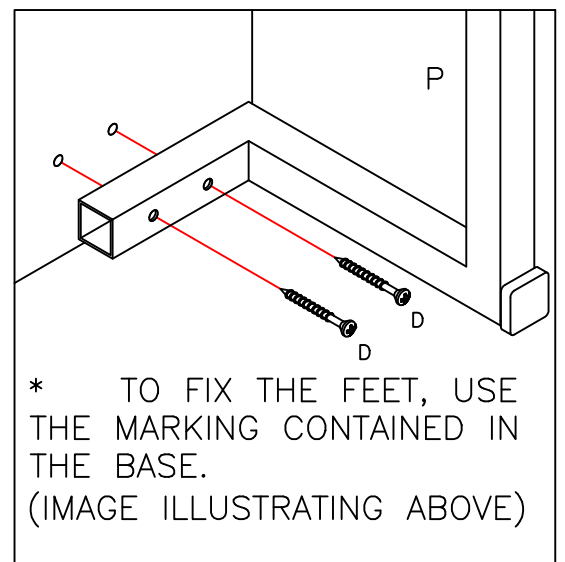
Proper orientation



13

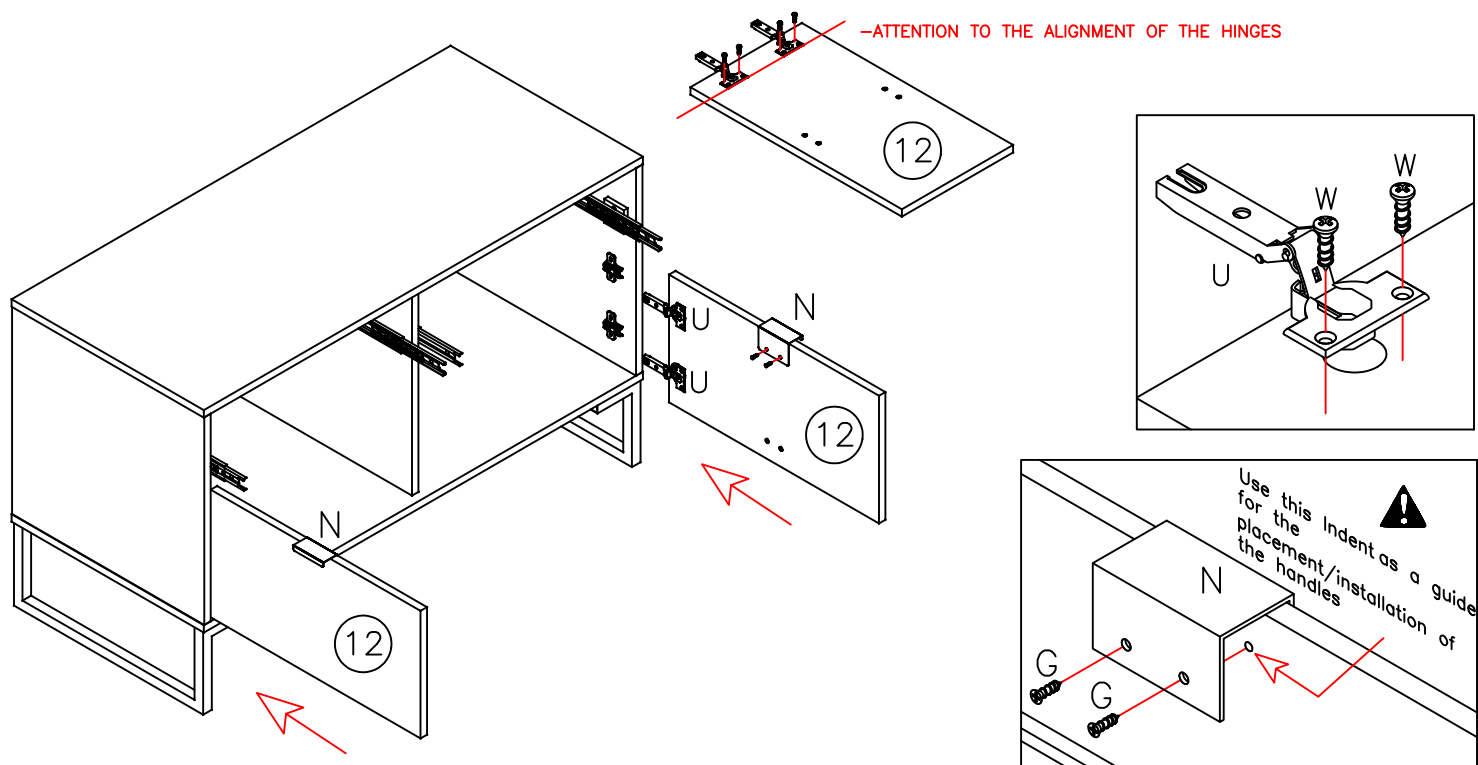


| | | |
|---|--|---|
| D | | 8 |
| P | | 2 |

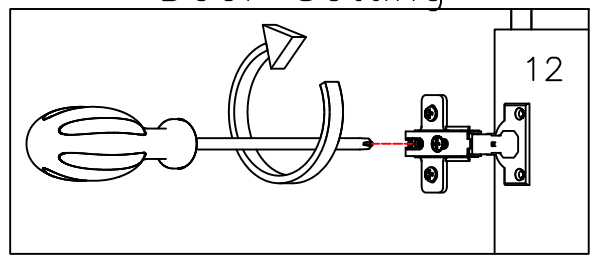


14

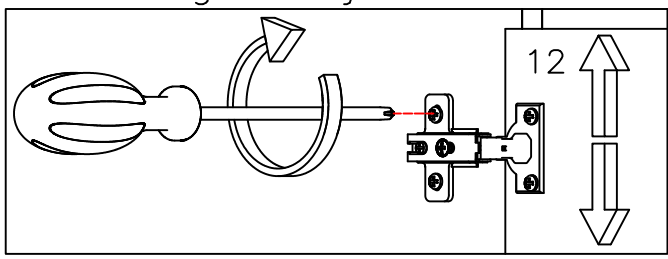
| | | | | | |
|---|--|---|---|--|---|
| G | | 4 | W | | 8 |
| U | | 4 | O | | 2 |



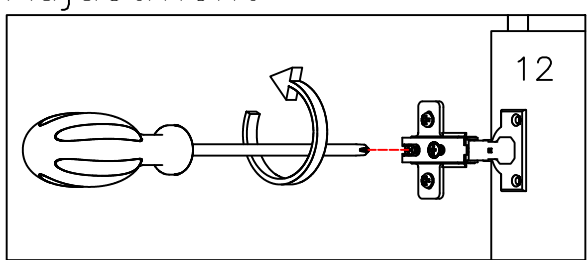
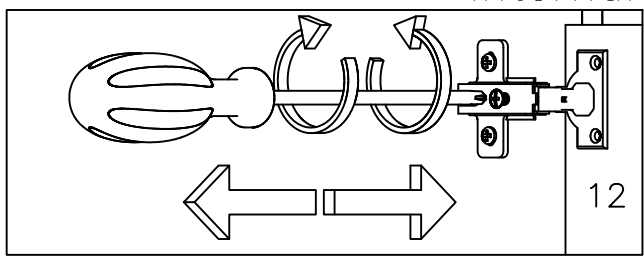
Door Setting



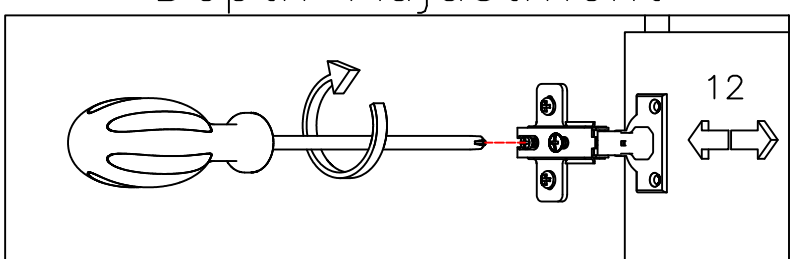
Height Adjustment



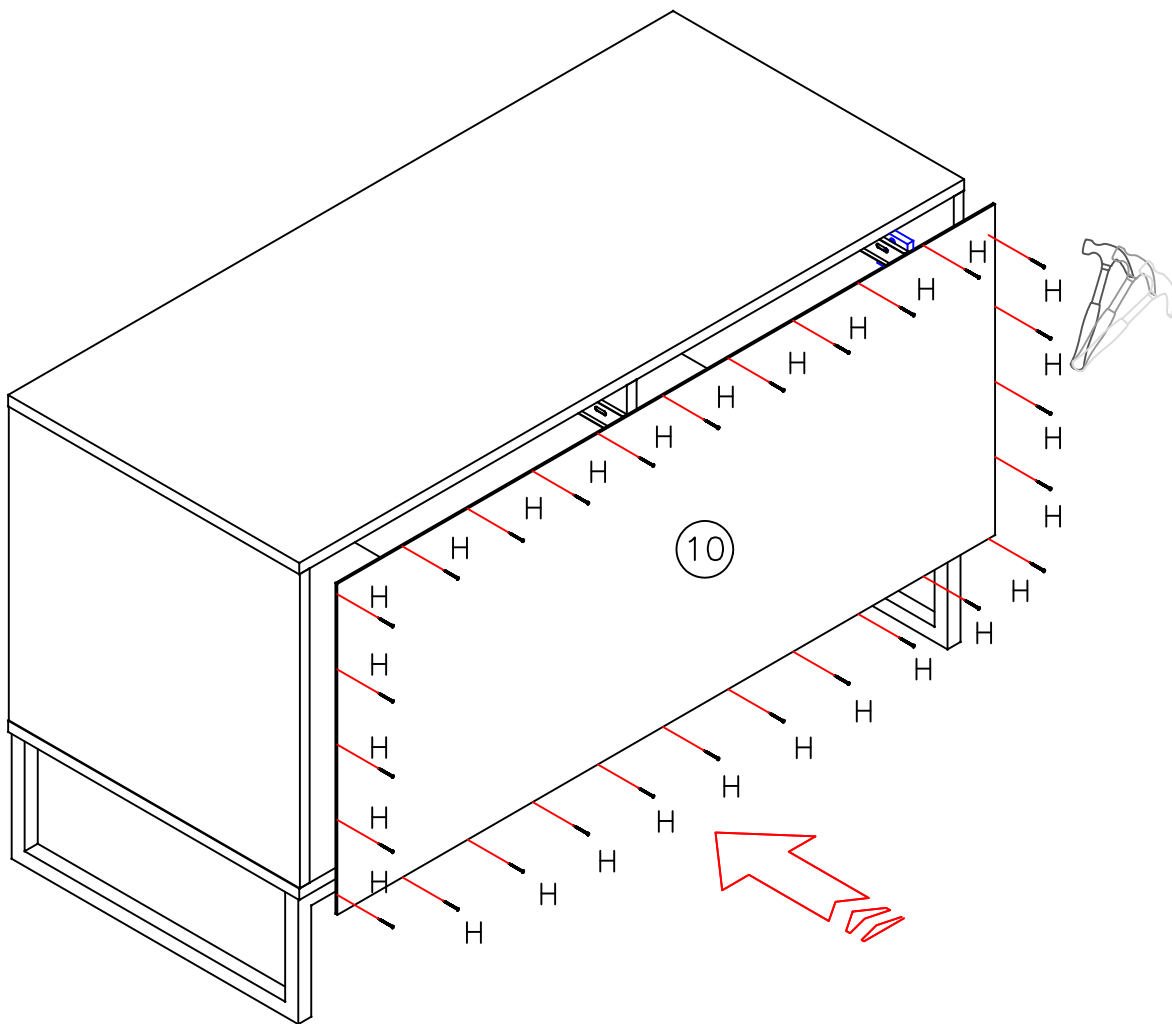
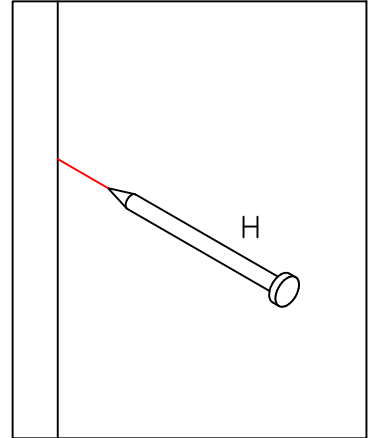
Internal Adjustment



Depth Adjustment



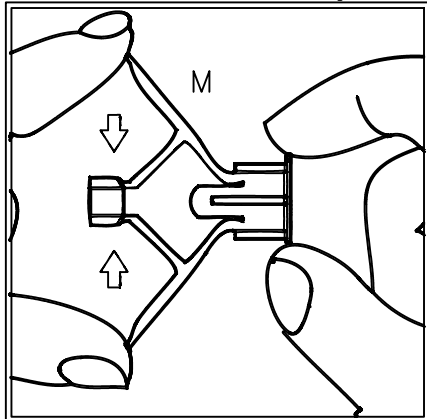
15



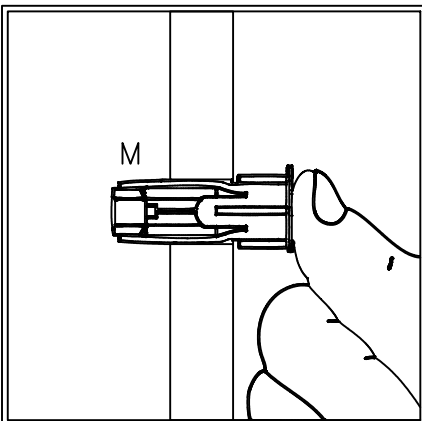
16

NOTE: Do not turn the DRYWALL ANCHOR into a wall stud. If you prefer to fasten the SAFETY ANTI-TIPPING to a wall stud, go to your local hardware store for proper hardware.

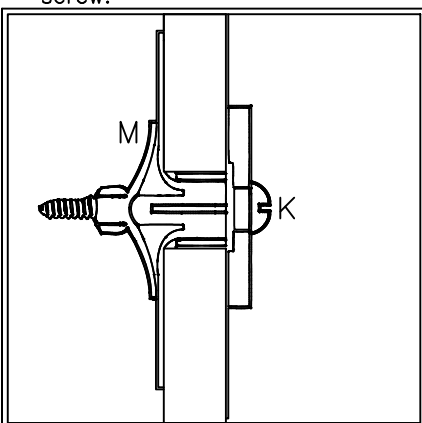
Compress the wings of anchor before inserting.



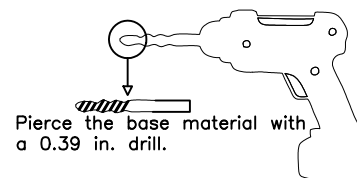
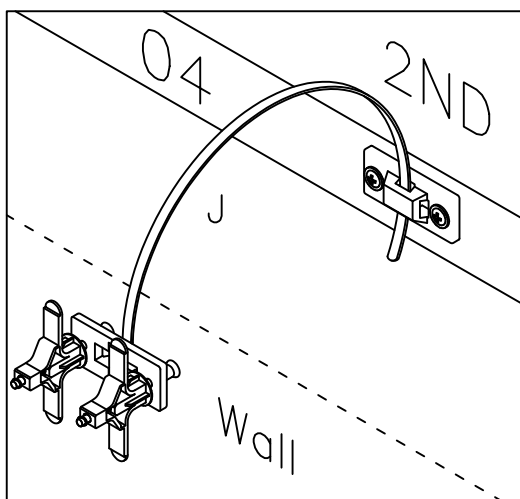
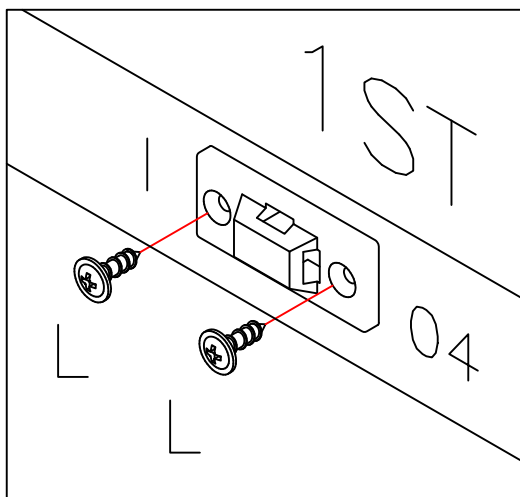
Insert the chuck into the hole of the base material.



Position the object over the bushing and secure it with a screw.



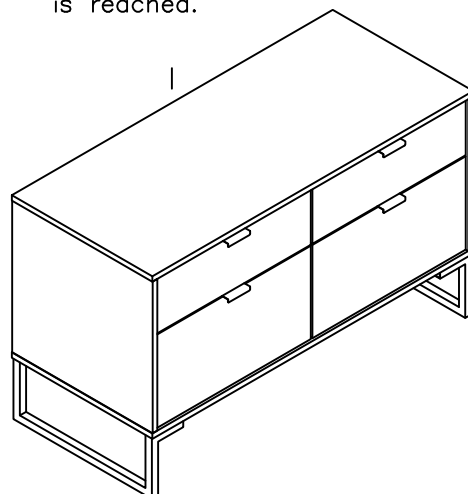
| Anti-tipping installation | | |
|---------------------------|--|--------------------|
| I | | Mounting bracket 2 |
| J | | Clamp 1 |
| K | | Screw 4,5x50 2 |
| L | | Screw 3,5x16 BC 2 |
| M | | Anchor 2 |



Pierce the base material with a 0.39 in. drill.

Important

- The minimum length of the screw must be the bushing length + object thickness that will be fixed.
- To guarantee the wing expansion function of the bushing, after the screw head is at the object to be fixed, one must continue to rotate the screw until maximum torque is reached.



A WARNING -Anti-Tip Advisory

Potential of serious fatal crushing injuries may occur from furniture tip-over. To help prevent tip-over:

ALWAYS INSTALL the tip-over restrain that came with your furniture. This tip-over restrains only reduces but does NOT completely eliminate the risk of tip-over

- ALWAYS Place the heaviest items in the lowest/bottom drawer.
- NEVER place TV's or other heavy objects on top of this product.
- NEVER allow children to scale/climb/hang on the drawers, doors, or shelves.
- NEVER open more than one drawer at a time.

B ADVERTENCIA - Aviso antivuelco

Pueden producirse lesiones graves por aplastamiento mortales debido al vuelco de los muebles. Para ayudar a prevenir vuelcos:

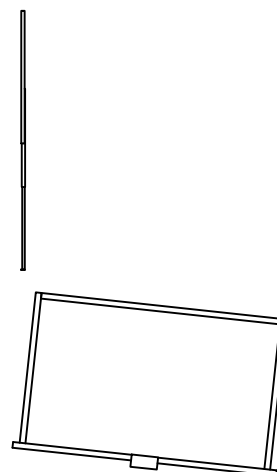
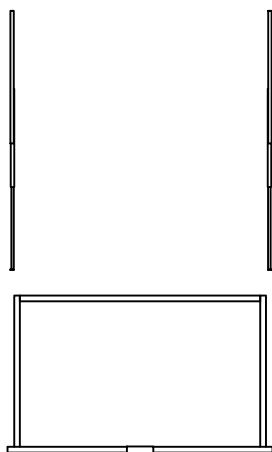
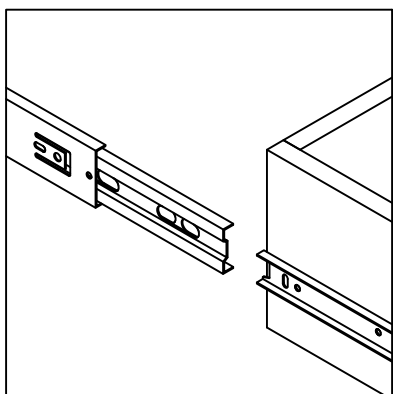
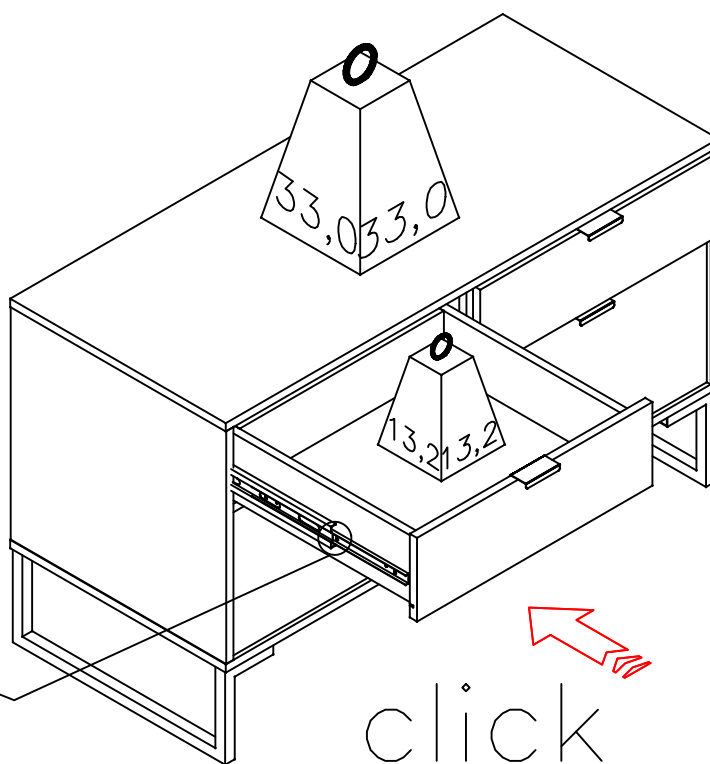
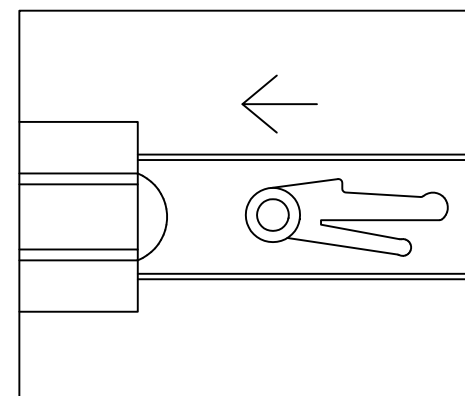
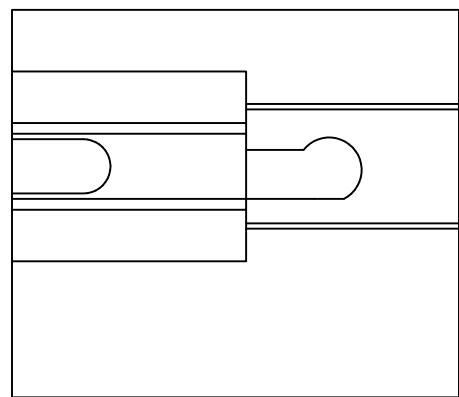
- SIEMPRE INSTALE el sistema de retención que viene con sus muebles. Este sistema antivuelco solo reduce pero NO elimina por completo el riesgo de vuelco.
- SIEMPRE coloque los artículos más pesados en el cajón más bajo /inferior.
- NUNCA coloque televisores u otros objetos pesados encima de este producto.
- NUNCA permita que los niños escalen, trepen o se cuelguen de los cajones, puertas o estantes.
- NUNCA abra más de un cajón a la vez

17



Drawer installation

Insert the slide into the profile and close the drawer to finish locking the clip.

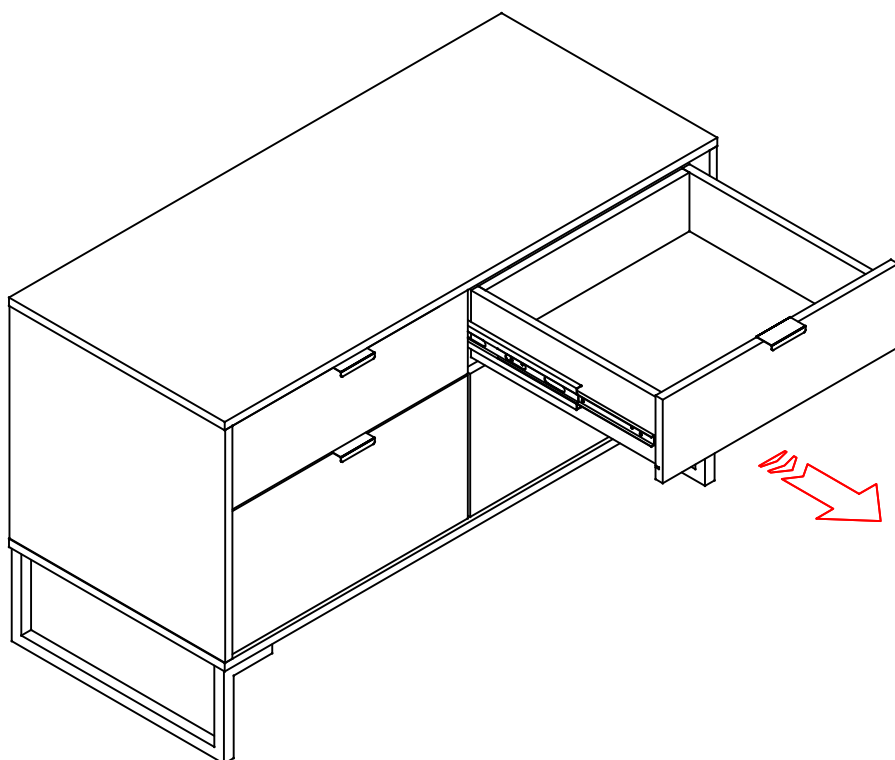


18



Drawer Removal

Open the drawer completely. Unlock the side clips, then pull out the drawer.



Observe the position of the side clips for disassembling the slide

