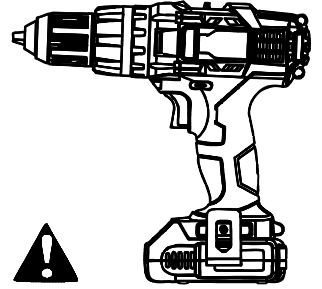
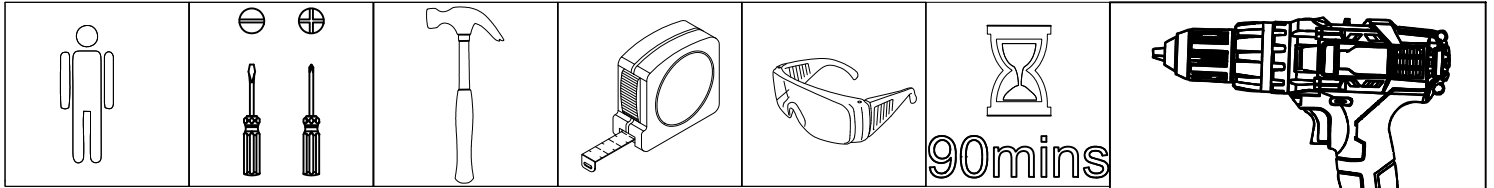


ASSEMBLY INSTRUCTIONS

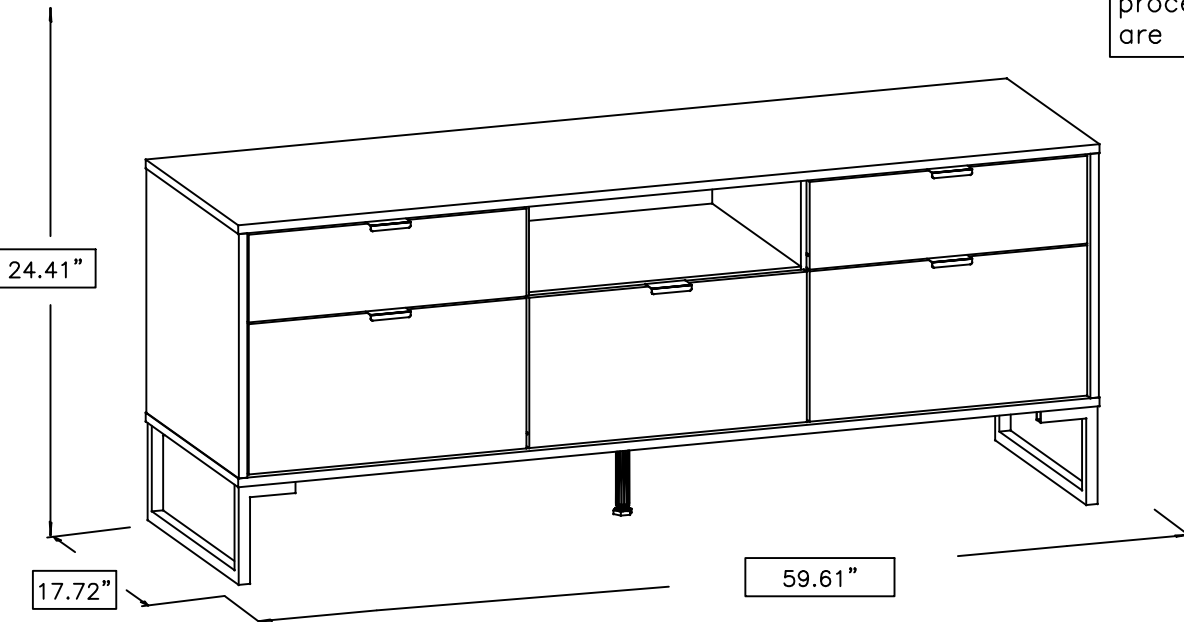
01/22
EU002



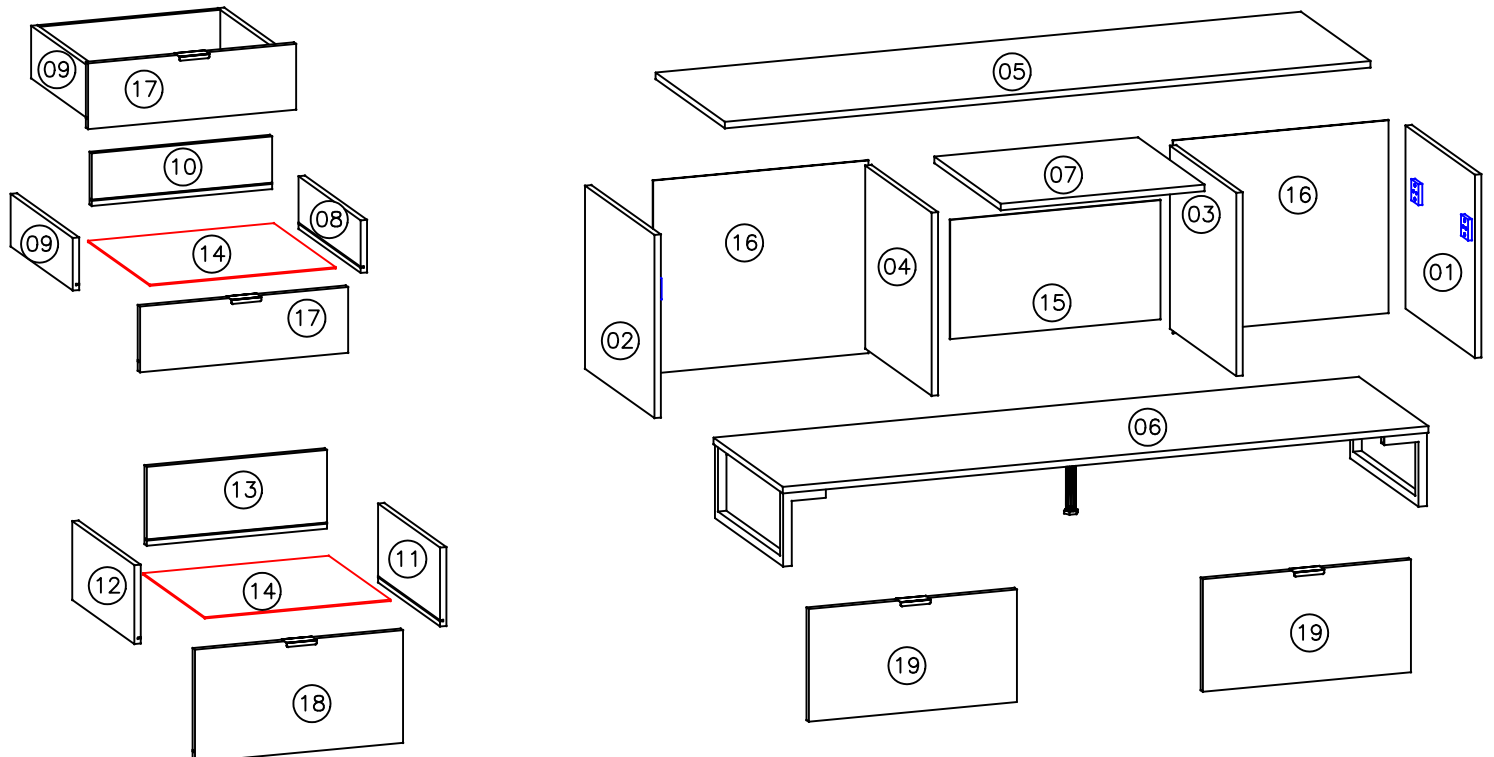
Warning –
CHOKING HAZARD – Small Parts Not for children under 3 years. Adult assembly required.



Although not required, it is recommended that a drill be used to help ease the assembly process, as some holes are not pre-drilled.



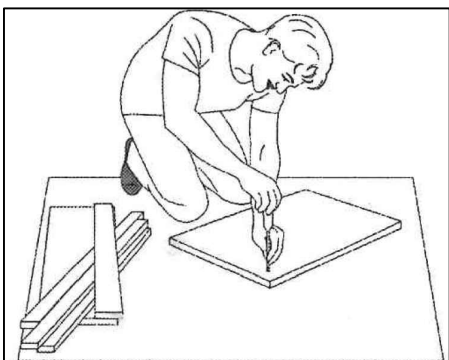
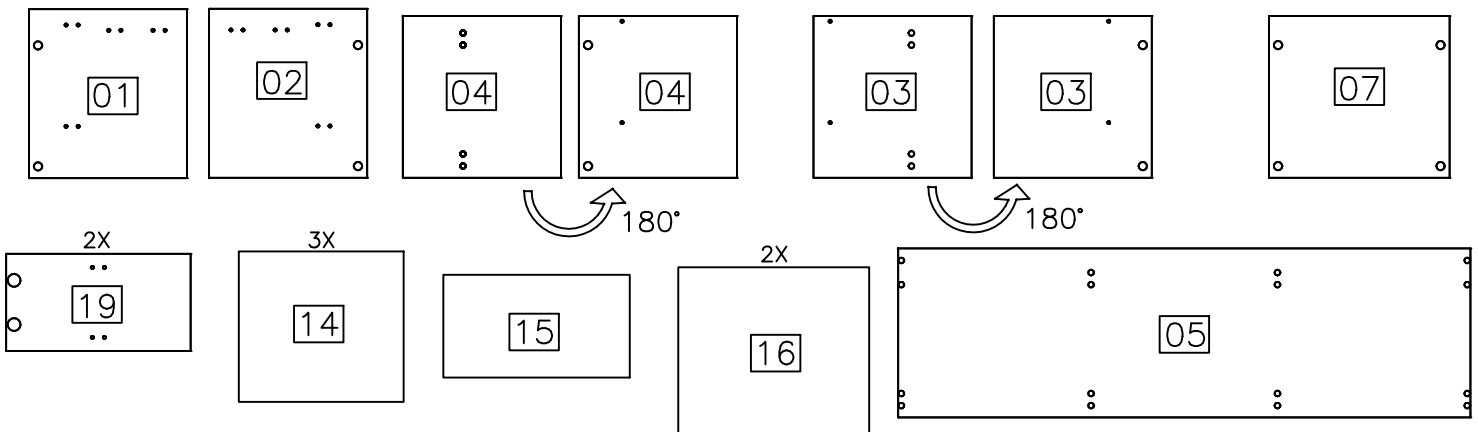
Part Identification



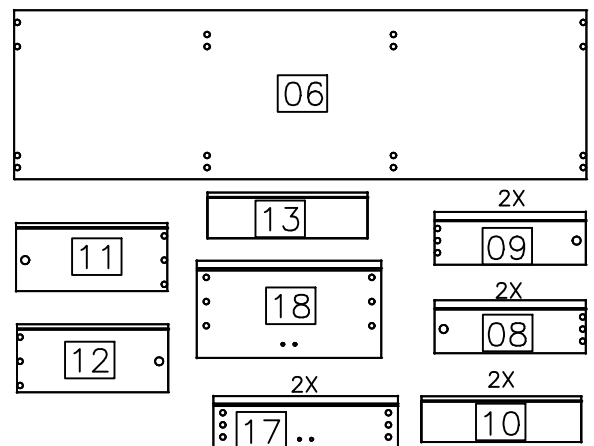
List of pieces

Code	Description	Amount	Length (in.)	Width (in.)	Thickness (in.)	Box
01	Right side panel	1	16.46"	17.60"	.59"	A
02	Left side panel	1	16.46"	17.60"	.59"	A
03	Right partition	1	16.46"	16.85"	.59"	A
04	Left partition	1	16.46"	16.85"	.59"	A
05	Top panel	1	59.61"	17.60"	.59"	A
06	Base panel	1	59.61"	17.60"	.59"	A
07	Shelf	1	18.82"	16.85"	.59"	A
08	Right side of drawer	2	15.75"	4.72"	.59"	A
09	Left side of drawer	2	15.75"	4.72"	.59"	A
10	Back of drawer	2	16.65"	4.72"	.59"	A
11	Righth larger drawer side	1	15.75"	7.09"	.59"	A
12	Left larger drawer side	1	15.75"	7.09"	.59"	A
13	Largest drawer headboard	1	16.65"	7.09"	.59"	A
14	Bottom drawer	3	17.17"	15.67"	.12"	A
15	Bottom smaller	1	19.41"	10.71"	.12"	A
16	Bottom larger	2	19.88"	17.32"	.12"	A
17	Front drawer	2	19.21"	5.91"	.59"	A
18	Largest drawer front	1	19.21"	10.12"	.59"	A
19	Doors	2	19.21"	25.7"	.59"	A

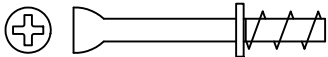
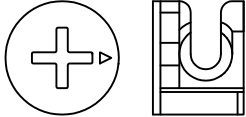
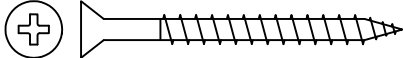
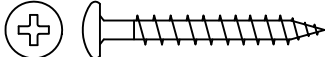
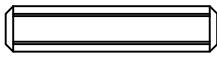


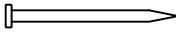
Prior to assembly, please ensure that all the Panels listed below are complete. If any pieces are missing or damages, please contact us directly at our Email CS@K1intlgrp.com or Toll-free 1-877-250-2820



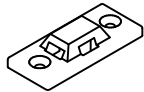

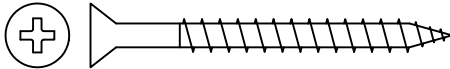

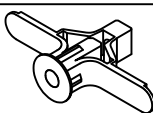
It is recommended the use of the box in which your furniture arrived in, be opened, and laid out on the floor as your work area. This helps prevent an unnecessary damages from occurring.



TOTOCALLE


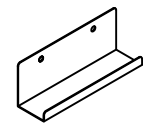
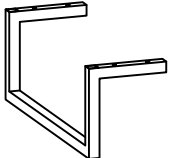
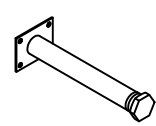
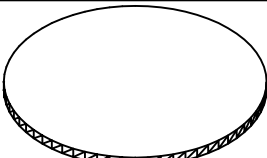
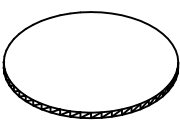
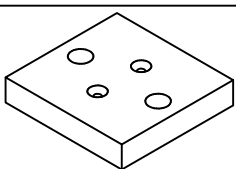
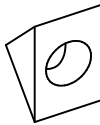
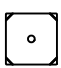
Hardware			
	Code	Description	Amou.
A	30945	 Cam Screws	18
B	30950	 Cam Locks	18
C	226	 Screw 4x40	14
D	379	 Screw 4,0x30	8
E	1802	 Dowel 6x30mm	44
F	5256	 Screw 4,0x20	6
G	4214	 Screw 3,5x14	58
H	107	 Nail 10x10	33

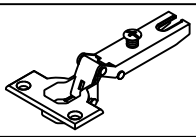
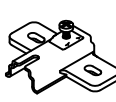
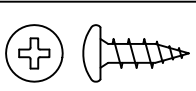
Anti-tipping installation

I	55606	 Mounting bracket	2
J	55607	 Clamp	1
K	51980	 Screw 4,5x50	2
L	1178	 Parafuso/ Tornillo/ Screw 3,5x16 BC	2
M	32069	 Adapter sleeve	2



NOTTOSCALE

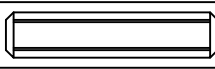
N	43136		Metal slide 350mm	3
O	<u>EBPR1=39999</u> (Preto fosco) <u>GIBR1=40726</u> (Branco fosco) <u>ITAR1=54043</u> (Off White)		Handle 70mm	5
P	<u>EBPR1=55389</u> (Preto fosco) <u>GIBR1=55387</u> (Branco fosco) <u>ITAR1=55388</u> (Off White)		Metal foot tube	2
Q	<u>EBPR1=47696</u> (Preto fosco) <u>GIBR1=43447</u> (Branco fosco) <u>ITAR1=55303</u> (Off White)		Central foot	1
R	<u>EBPR1=50493</u> (Ebano Grigio) <u>GIBR1=45005</u> (Gianduia) <u>ITAR1=40392</u> (Itapuã)		Screw cap cover 19mm	18
S	<u>EBPR1=09399</u> (Ebano Grigio) <u>GIBR1=22659</u> (Gianduia) <u>ITAR1=40391</u> (Itapuã)		Screw cap cover 13mm	14
T	<u>EBPR1=55287</u> (Preto) <u>GIBR1=55558</u> (Branco) <u>ITAR1=55287</u> (Preto)		Retractor	4
U	18458		Black triangular support	6
V	1423		Shore Fixer	6

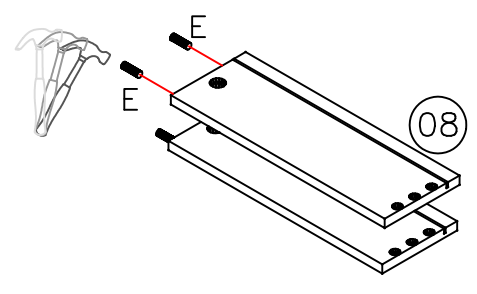
W	05123		Hinge 35mm	4
X	05123		Shim	4
Y	05123		Hinge screw 4,0x14	16

01 Saco médio para acessórios (Internal production data)
01 Saco médio para puxador (Internal production data)

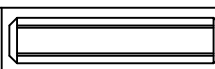


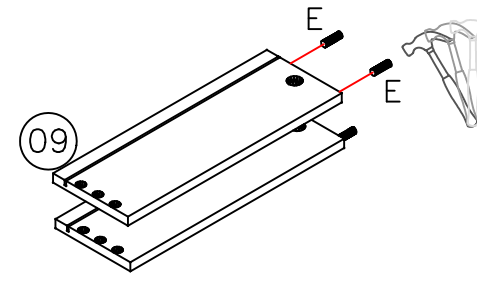
1A Drawer Preassembly
This process is repeated twice

E		4
---	---	---

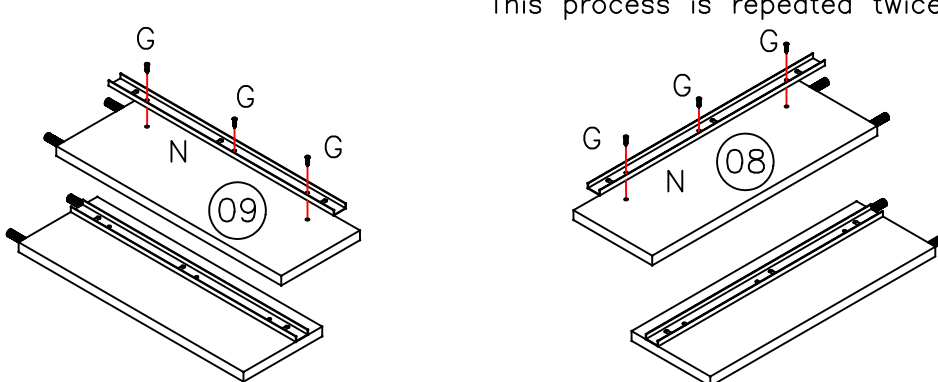


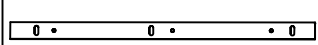

1B Drawer Preassembly
This process is repeated twice

E		4
---	--	---

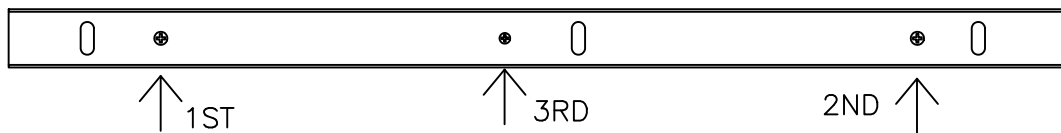


1C Drawer Preassembly
This process is repeated twice



N		4
G		12

Correct position of the screws "G" 



To adjust the height of the drawer, the "G" screw must be placed in the oval horizontal spacing of the "N" rail



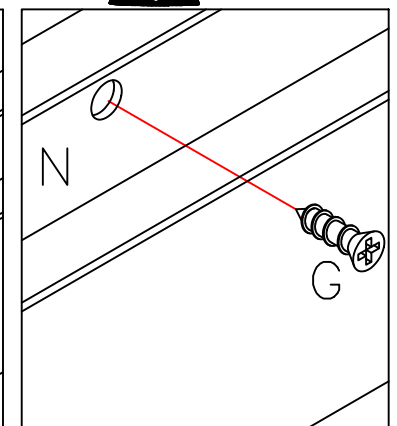
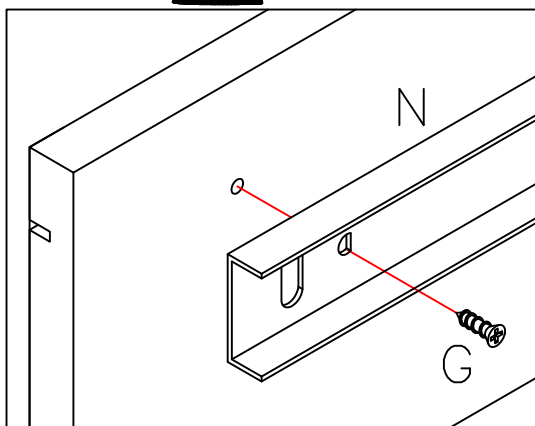
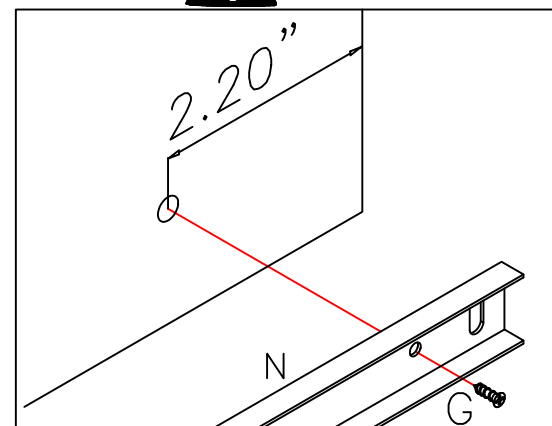
1ST



2ND



3RD



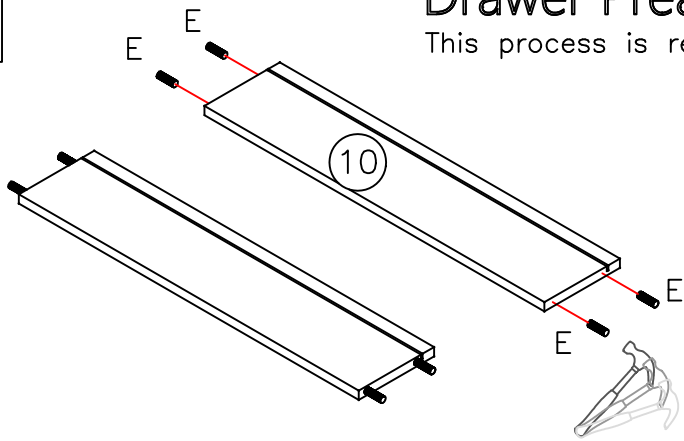
Use the indent as a guide for installing the rails




1D

Drawer Preassembly

This process is repeated twice





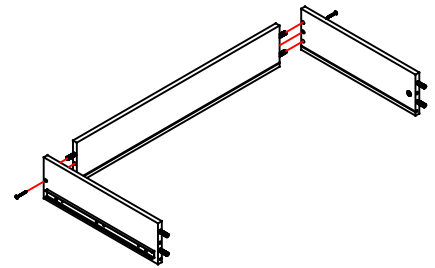
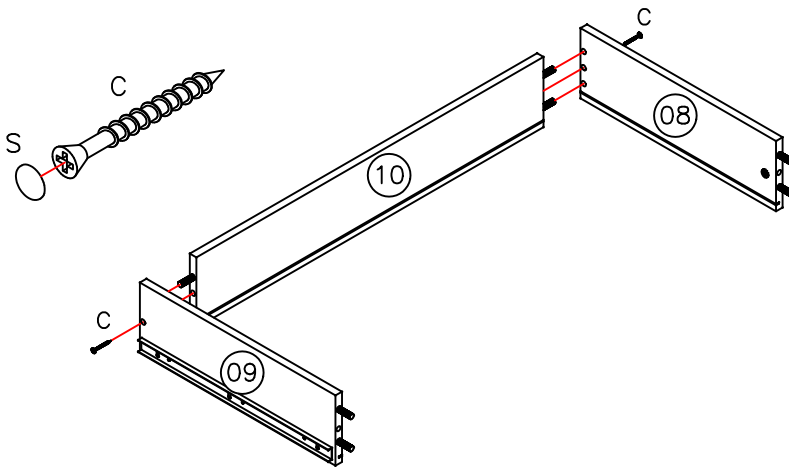
E		8
---	---	---

2

Drawers Mounting

This process is repeated twice


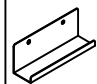

C		4
S		4

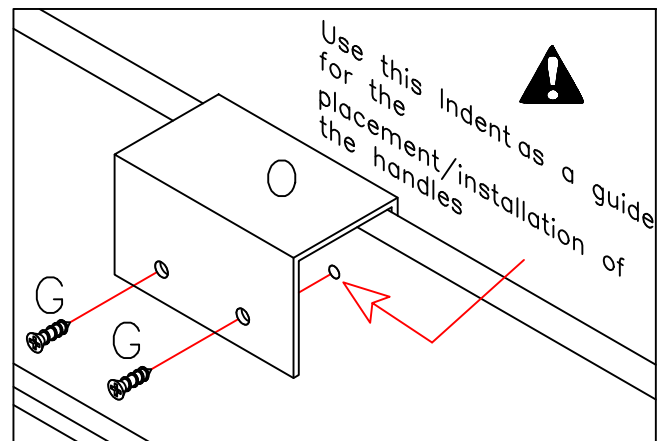
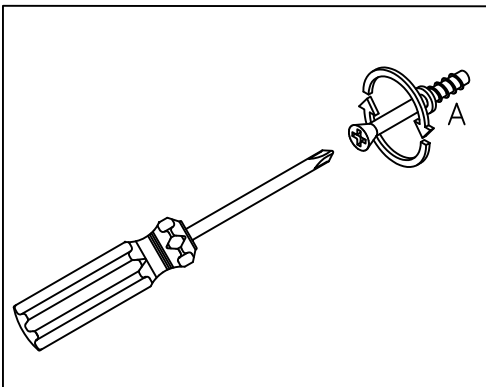
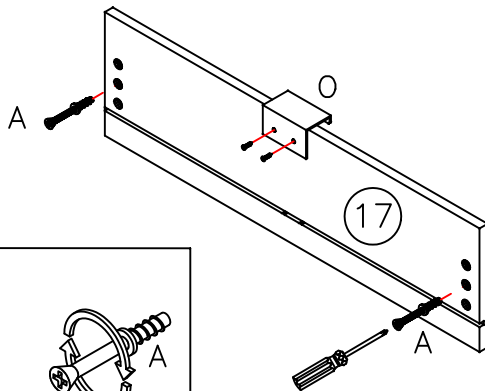


3

Drawer Assembly

This process is repeated twice


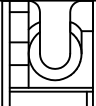
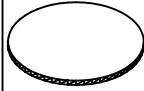
A		4
O		2
G		4

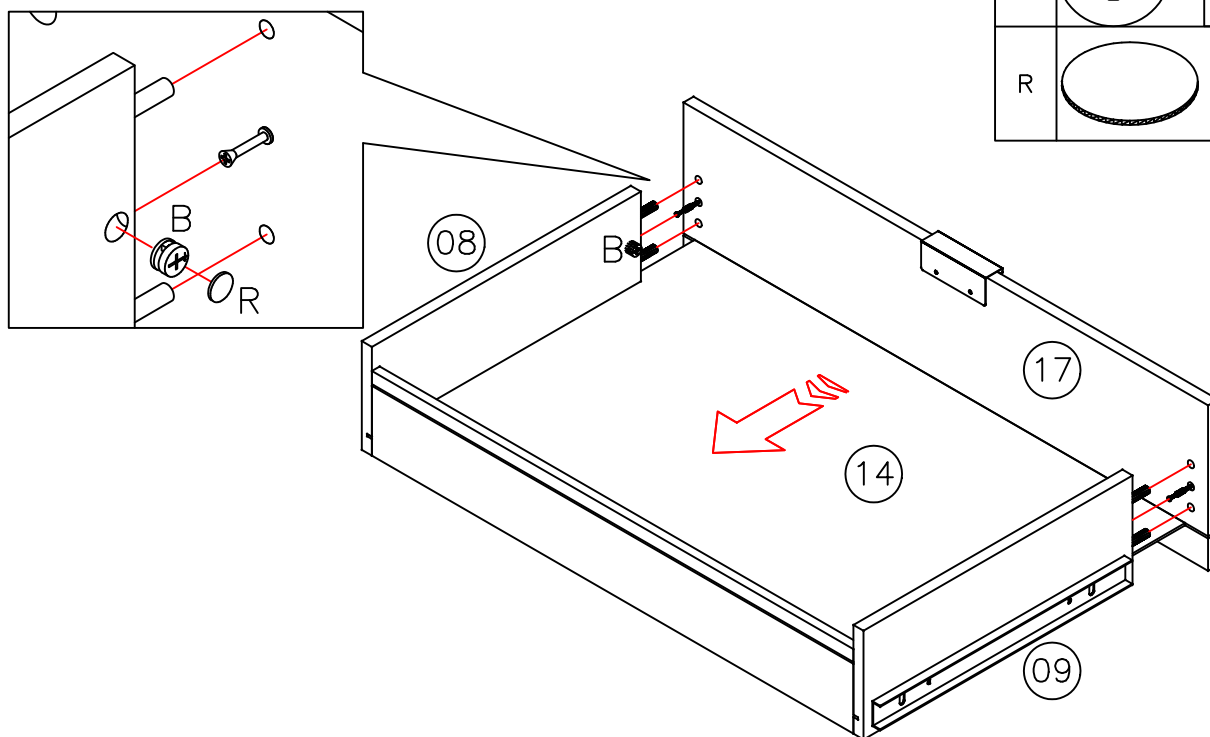


4

Drawers Mounting

This process is repeated twice


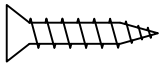
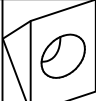
B			4
R			4

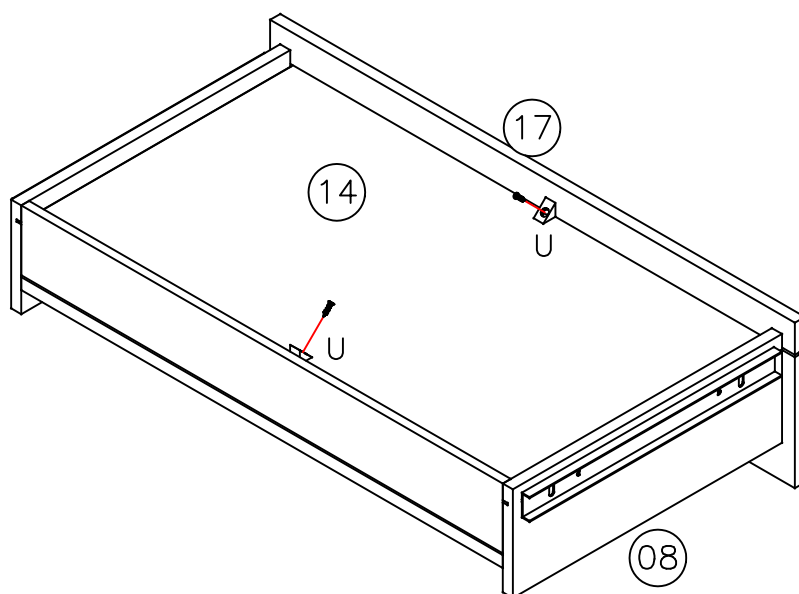
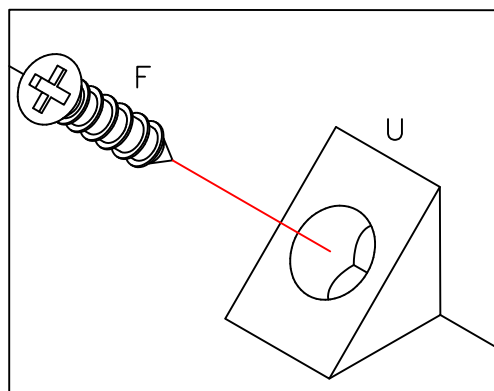


5

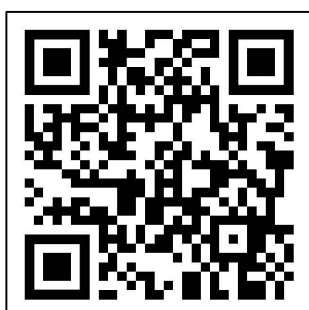
Drawer final assembly

This process is repeated twice

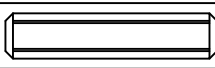
F			4
U			4

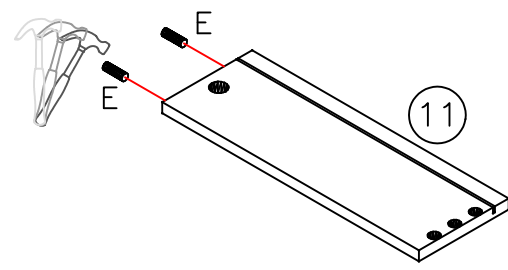


If you have any further questions regarding the assembly of the drawer, access the website through the QR CODE




6A **Drawer Preassembly**
This process is repeated once

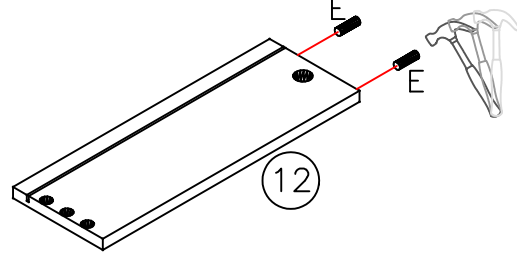
E		2
---	---	---



(11)

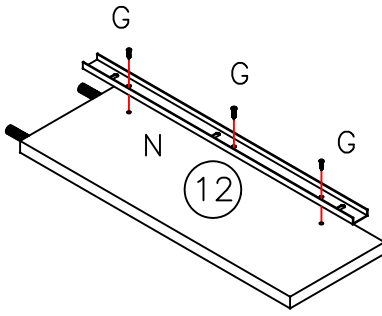
6B **Drawer Preassembly**
This process is repeated once

E		2
---	--	---

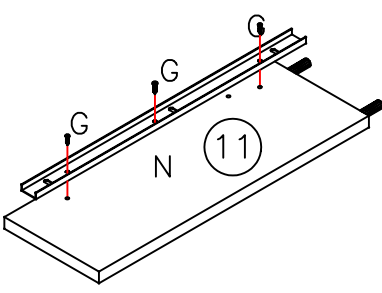


(12)

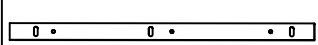

6C **Drawer Preassembly**
This process is repeated once




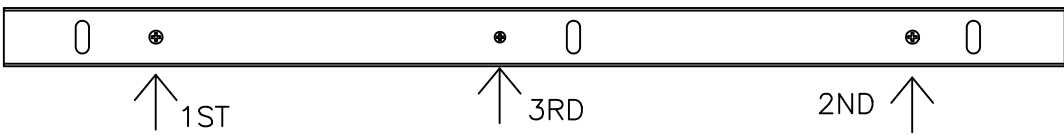
(12)



(11)

N		2
G		6

Correct position of the screws "G" 



To adjust the height of the drawer, the "G" screw must be placed in the oval horizontal spacing of the "N" rail



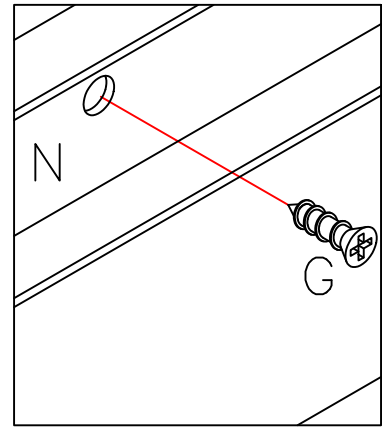
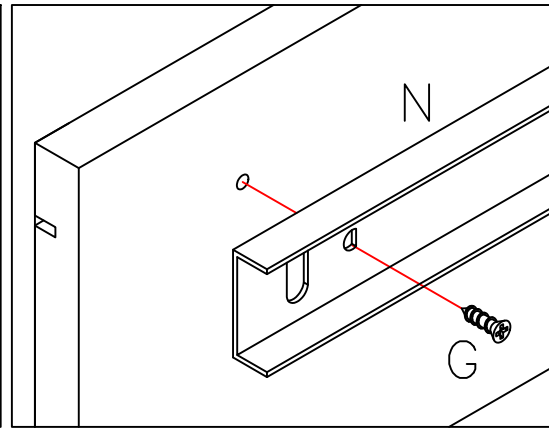
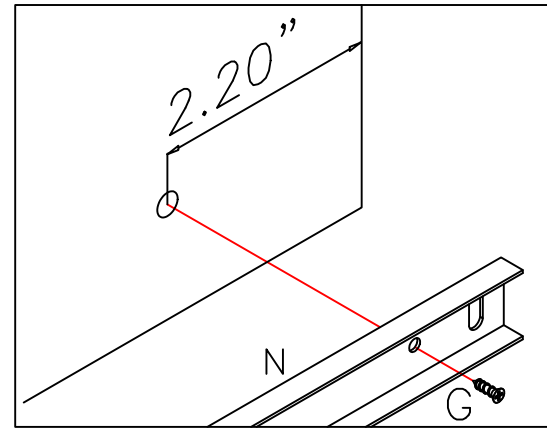
1ST



2ND



3RD



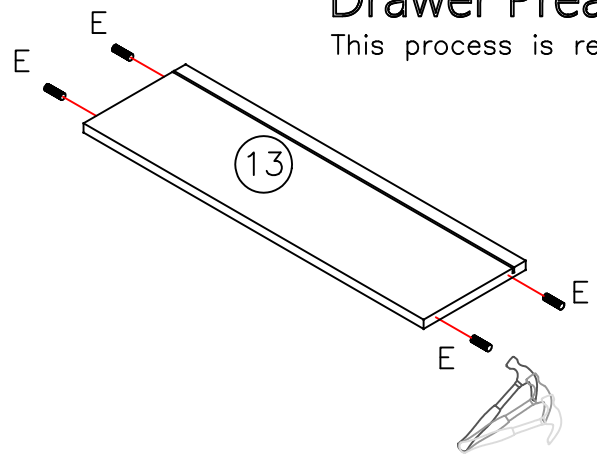
Use the indent as a guide for installing the rails



6D

Drawer Preassembly

This process is repeated once



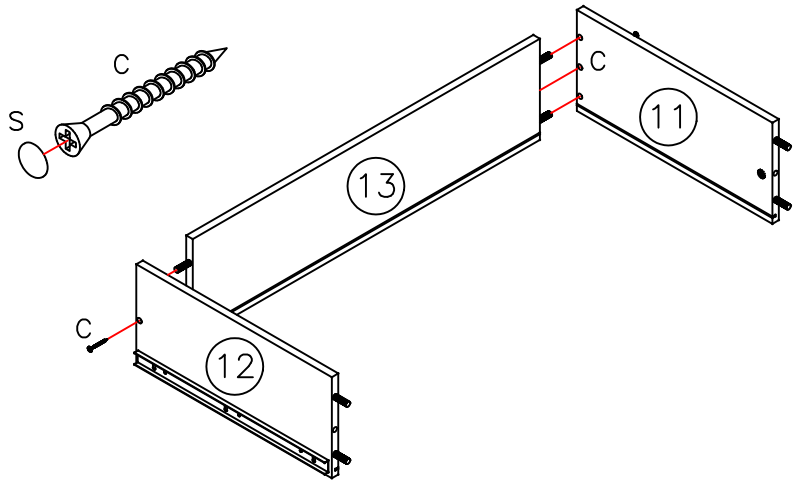
E		4
---	--	---

7

Drawers Mounting

This process is repeated once

C		2
S		2

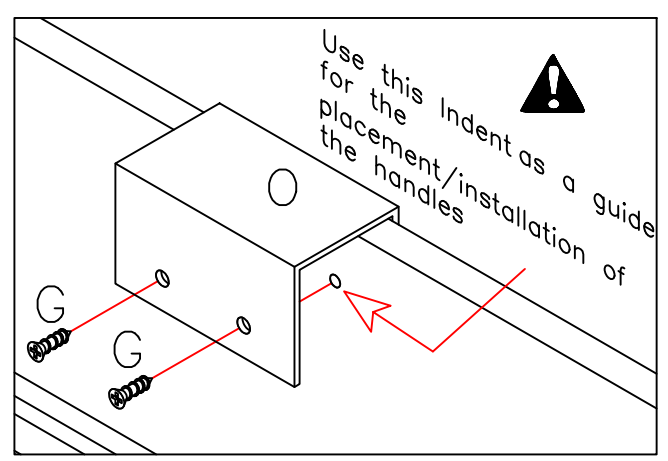
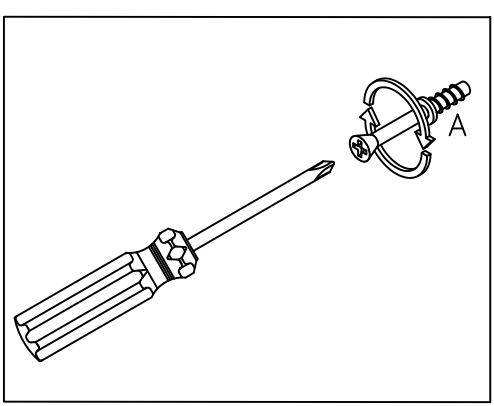
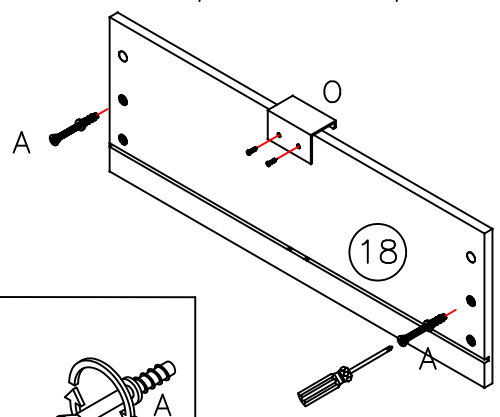


8

Drawer Assembly

This process is repeated once

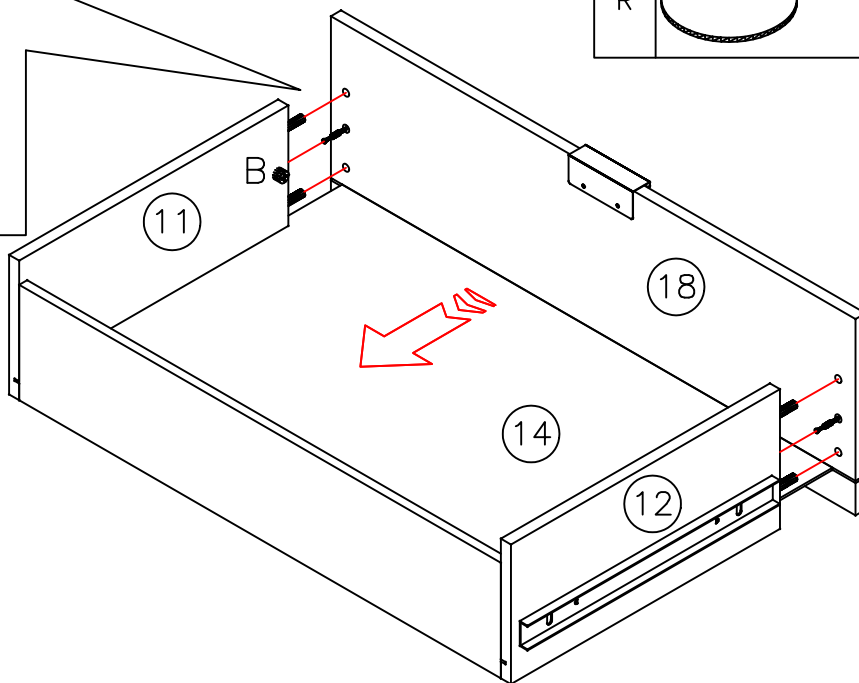
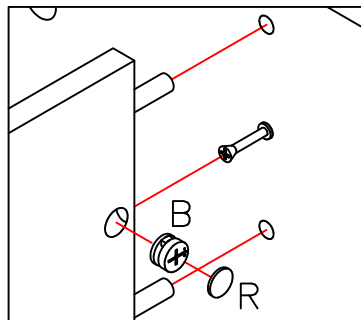
A		2
O		1
G		2



9

Drawers Mounting

This process is repeated once

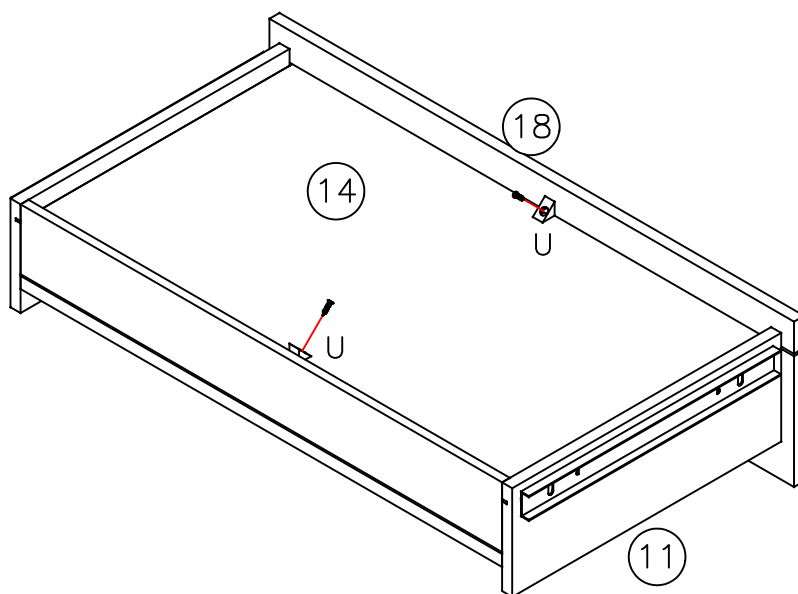
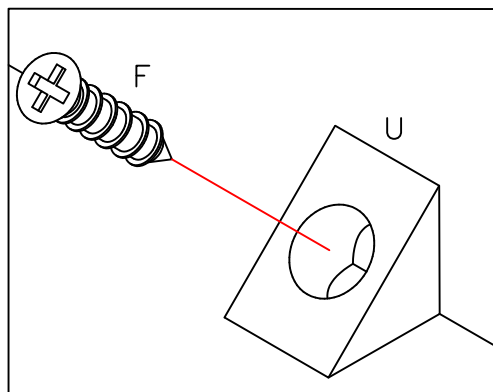


B			2
R			2

10

Drawer final assembly

This process is repeated once



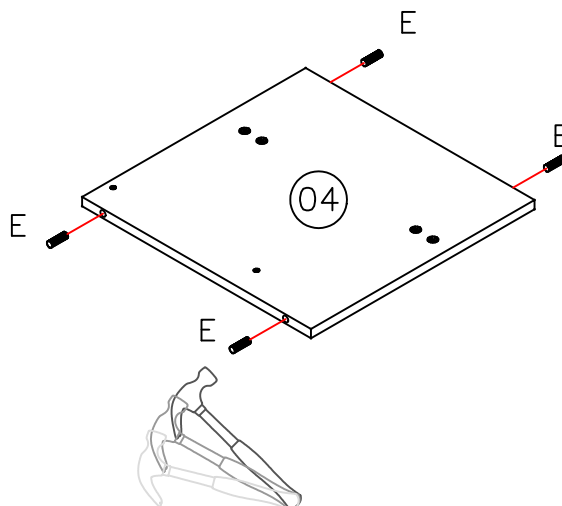
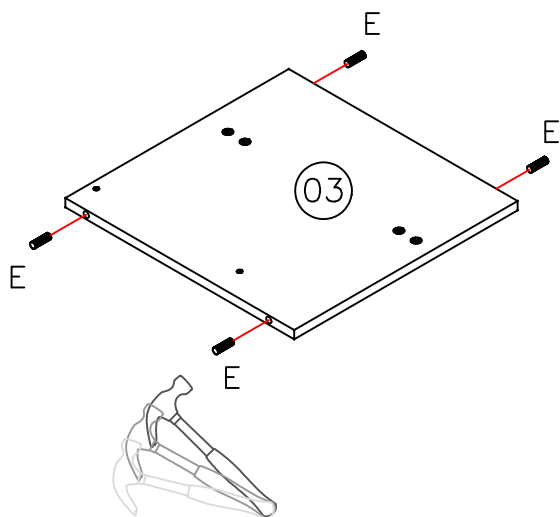
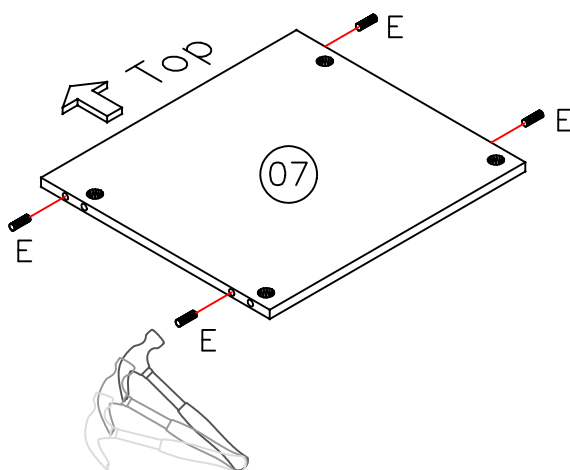
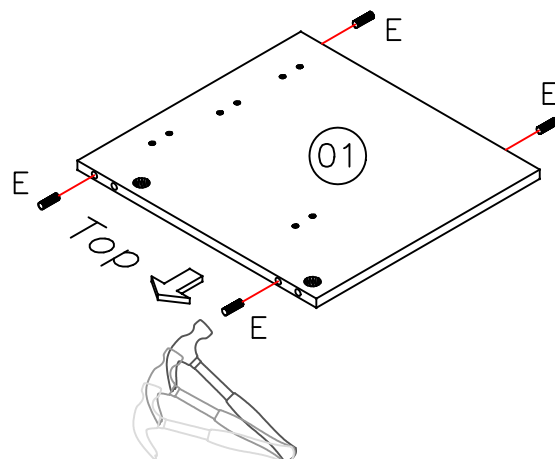
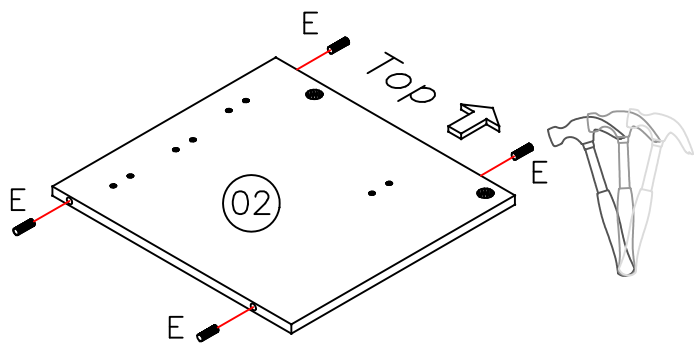
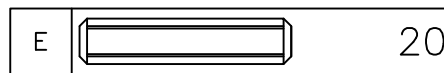
F			2
U			2

If you have any further questions regarding the assembly of the drawer, access the website through the QR CODE



11

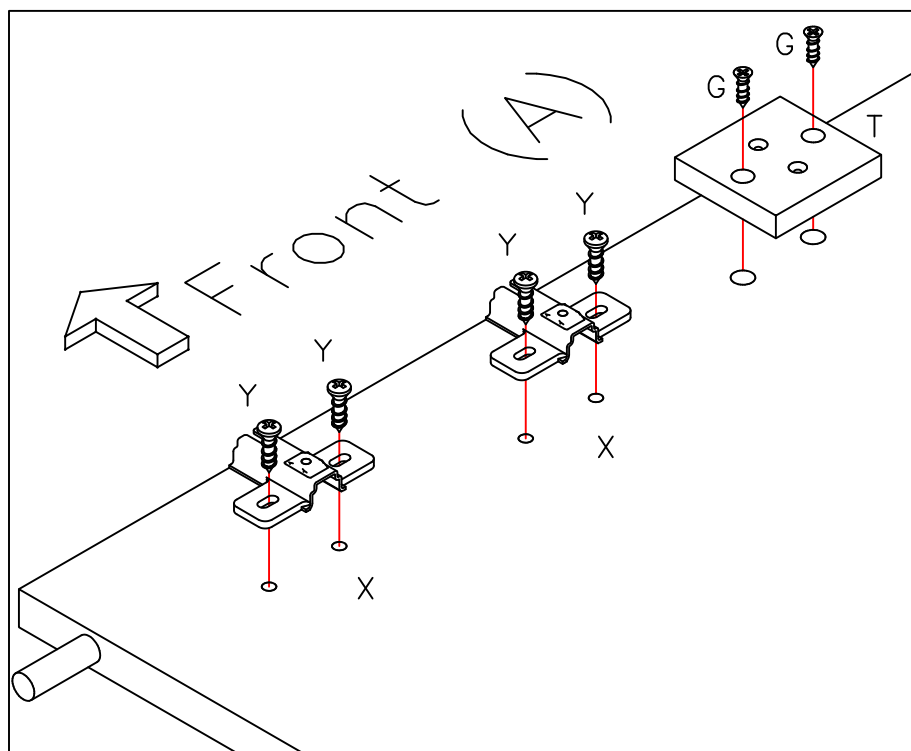
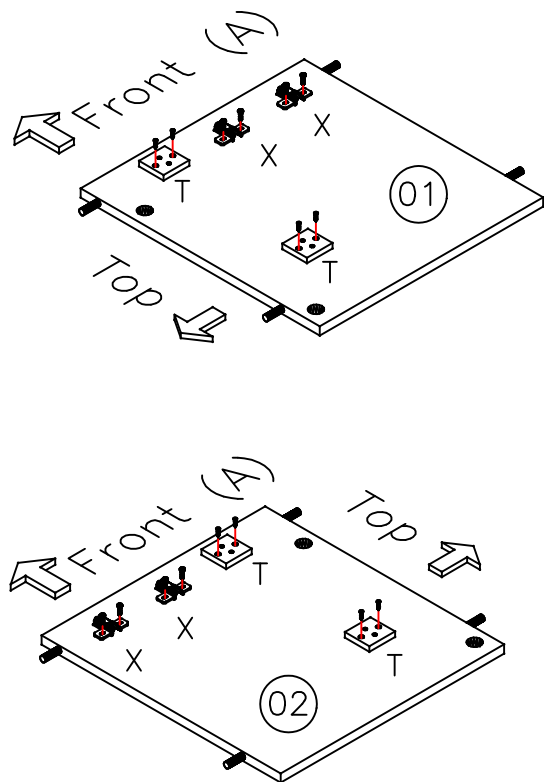
Preassembly of parts



12

Preassembly of parts

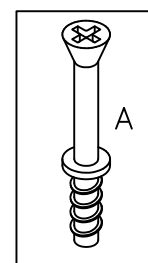
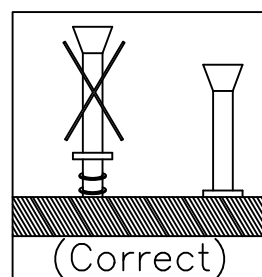
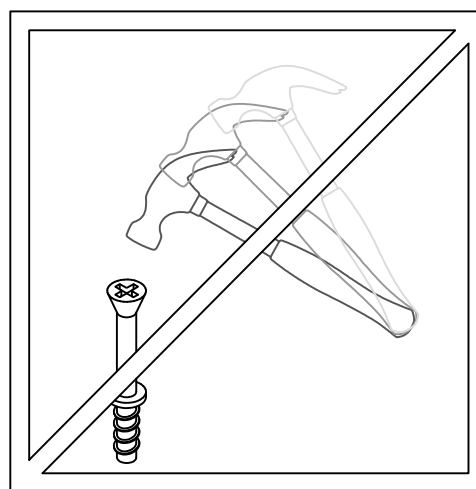
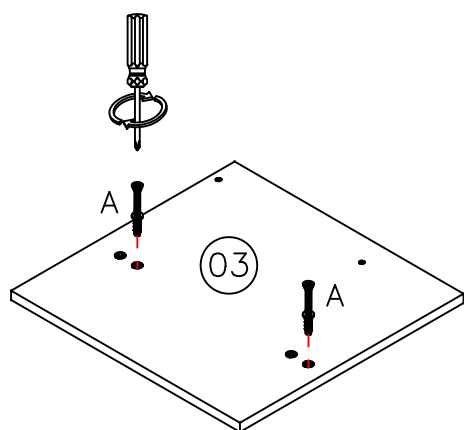
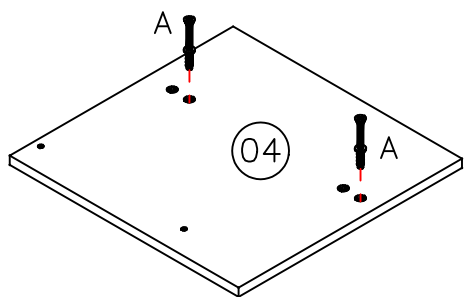
G		8
T		4
X		4
Y		8



13



Preassembly of parts

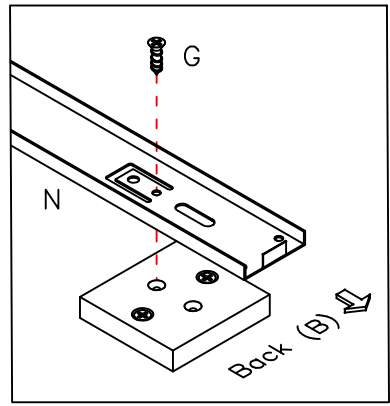
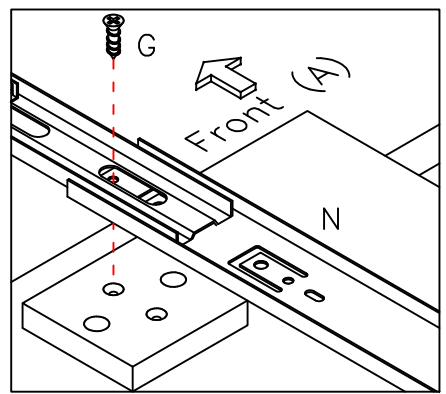
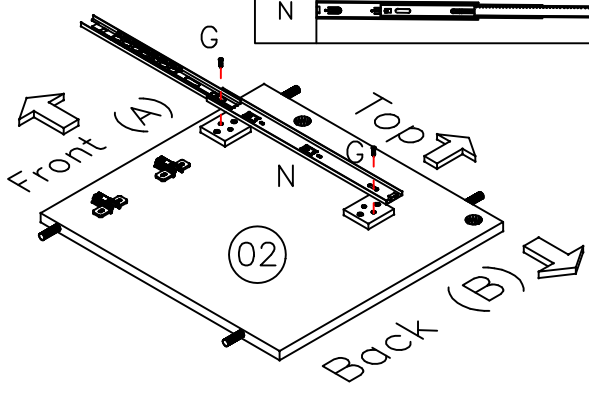
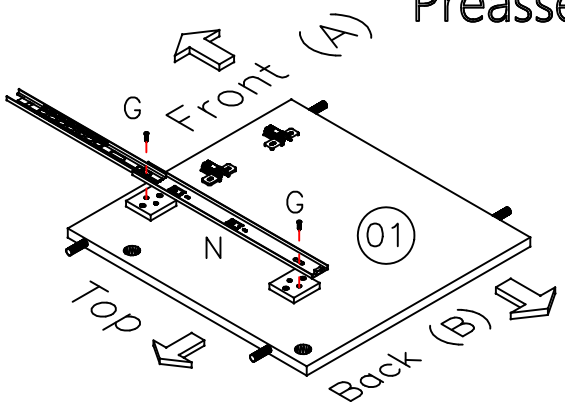
A		4
---	--	---



14



Preassembly of parts

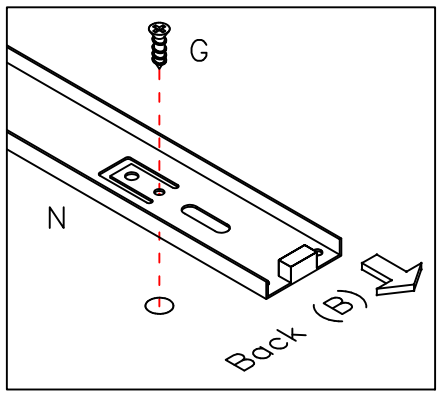
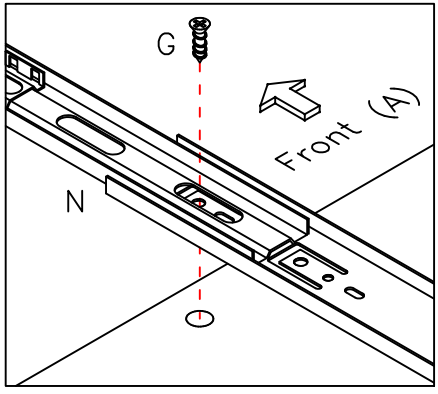
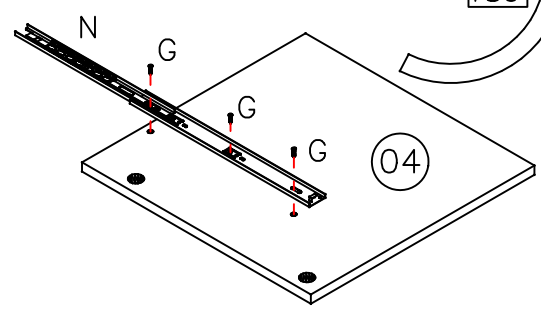
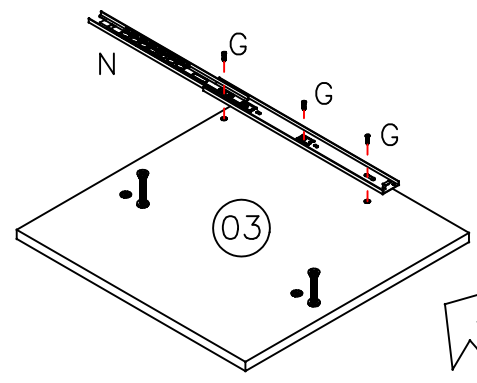
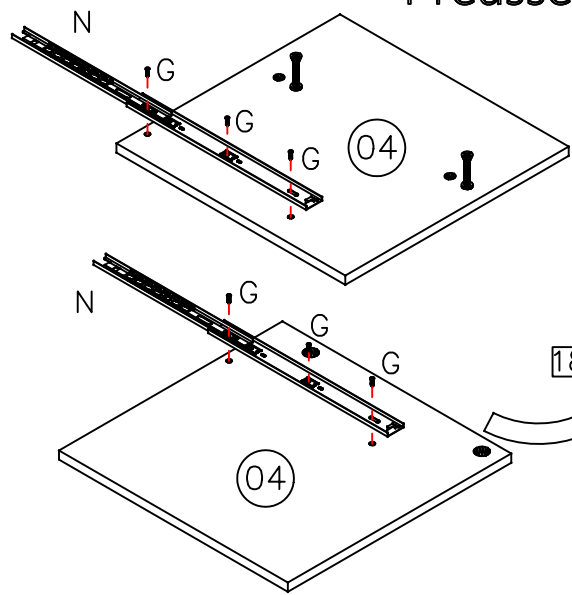
G		4
N		2



15


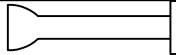
Preassembly of parts

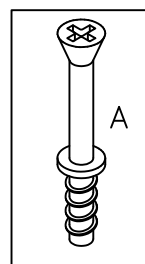
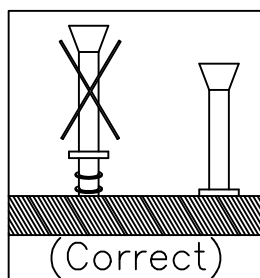
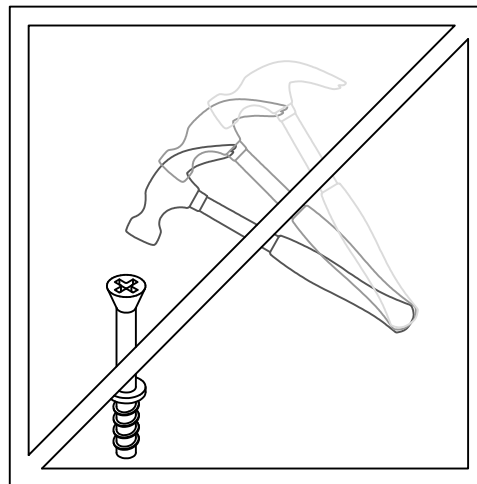
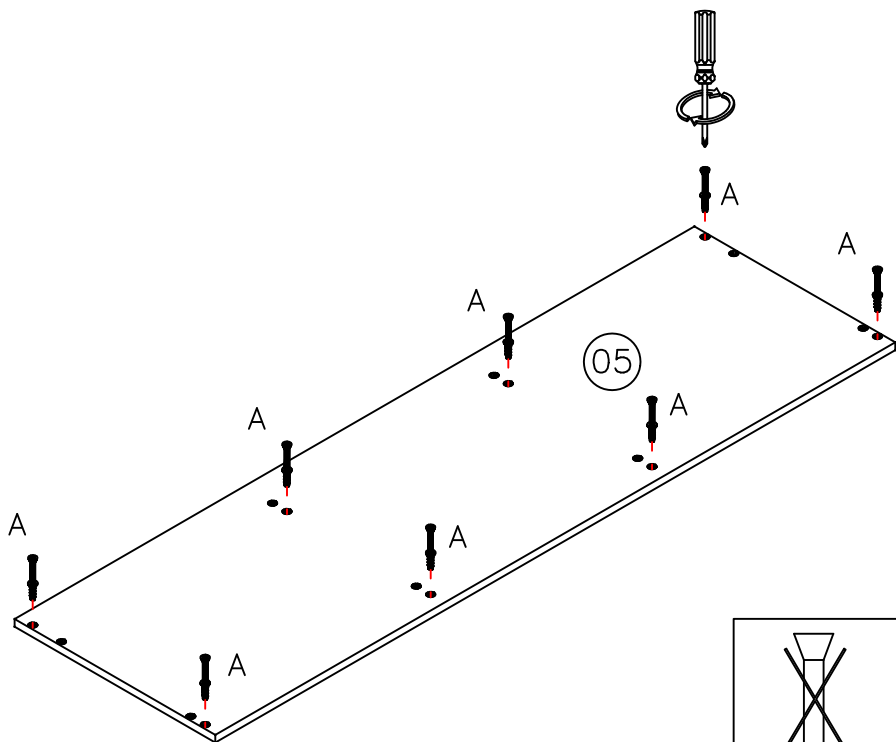
G		12
N		4



16


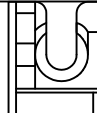

Preassembly of parts

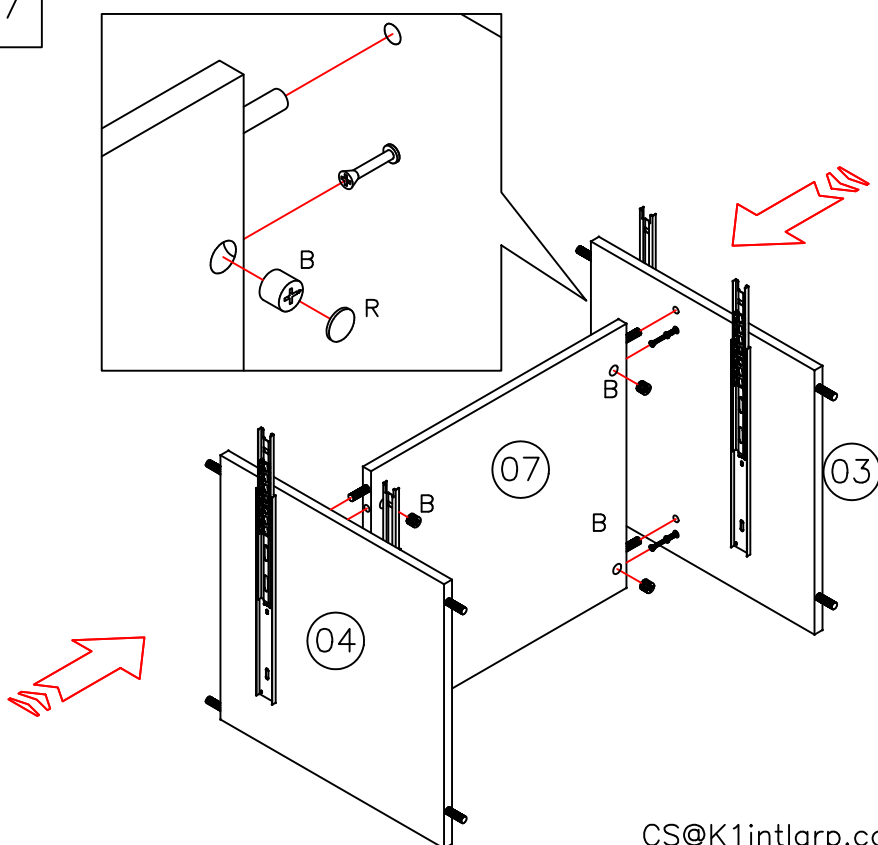
A			8
---	---	---	---




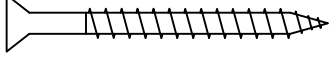

17

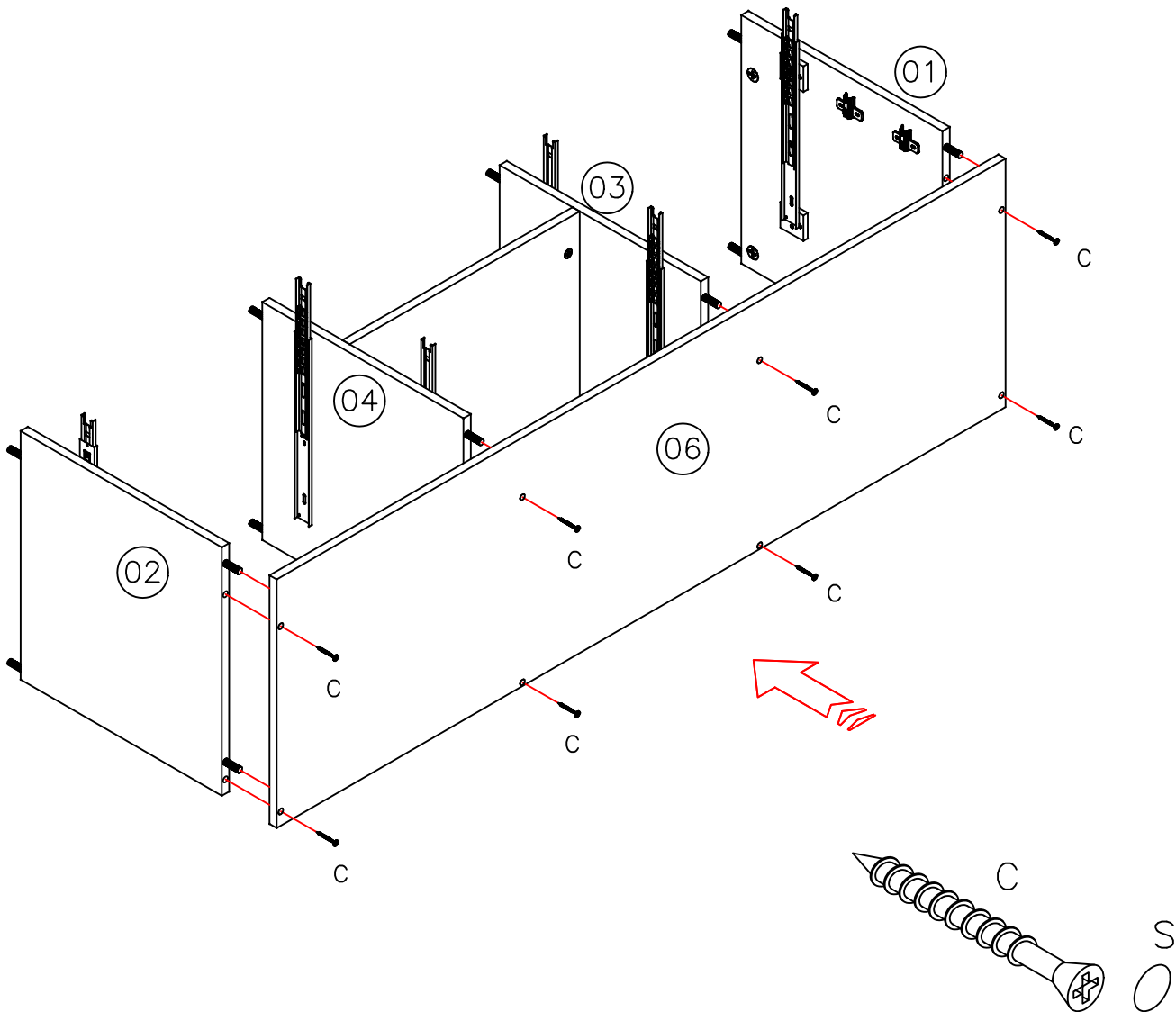
Product Assembly

B			4
R			4


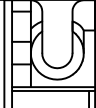



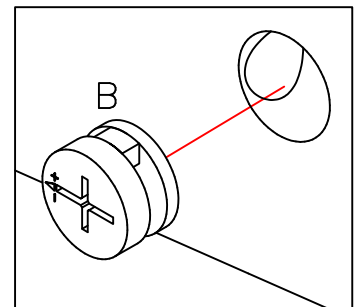
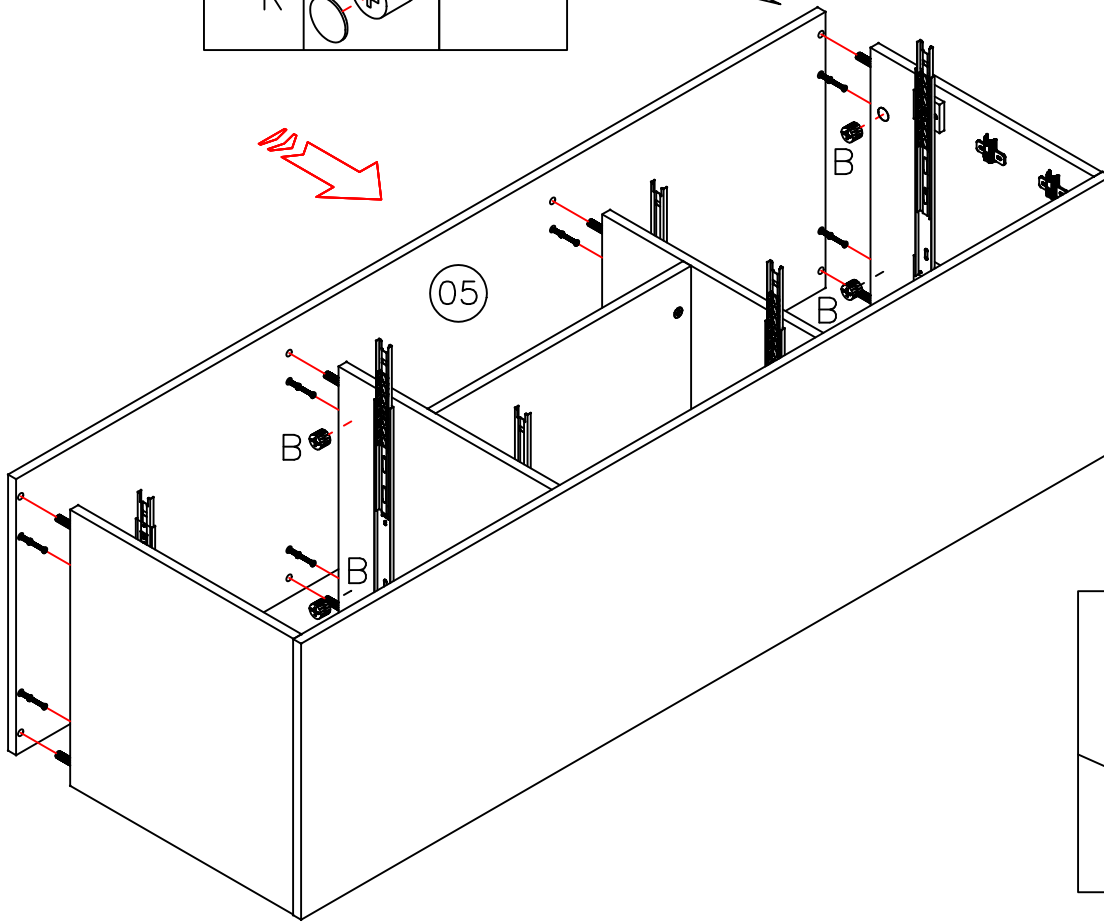
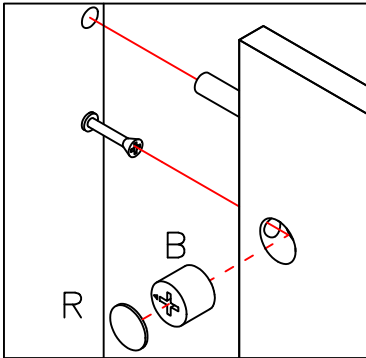
18

C			8
S			8

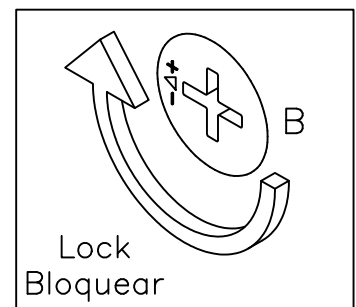
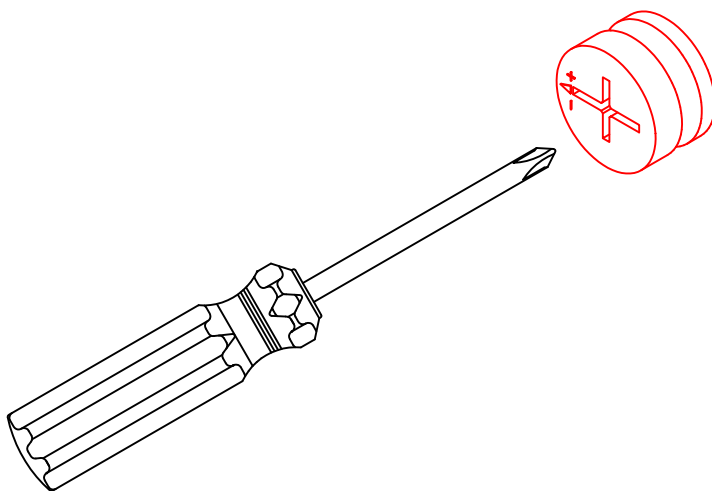


19


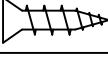

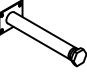
B			8
R			8

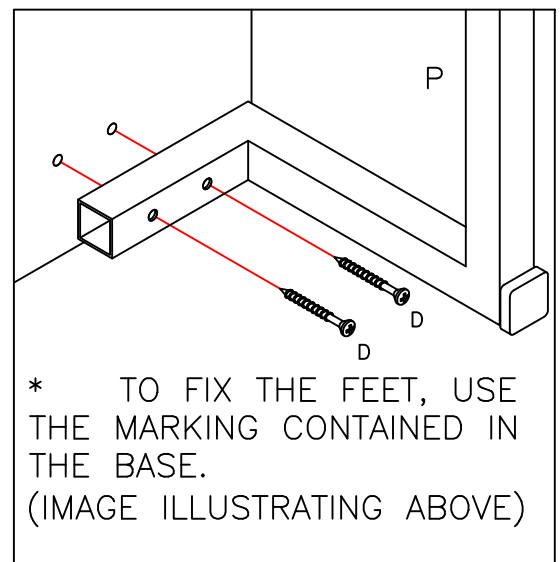
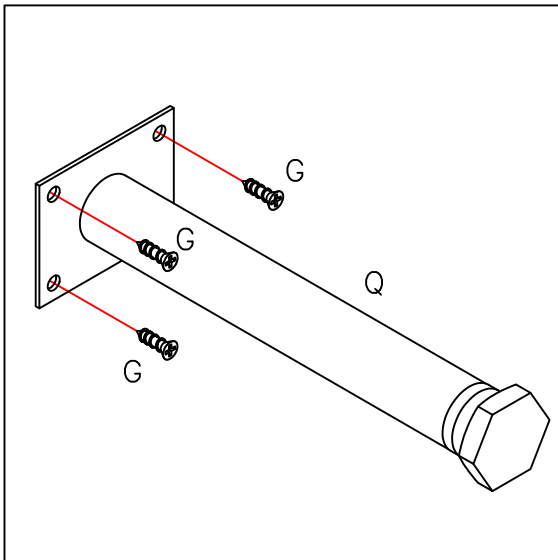
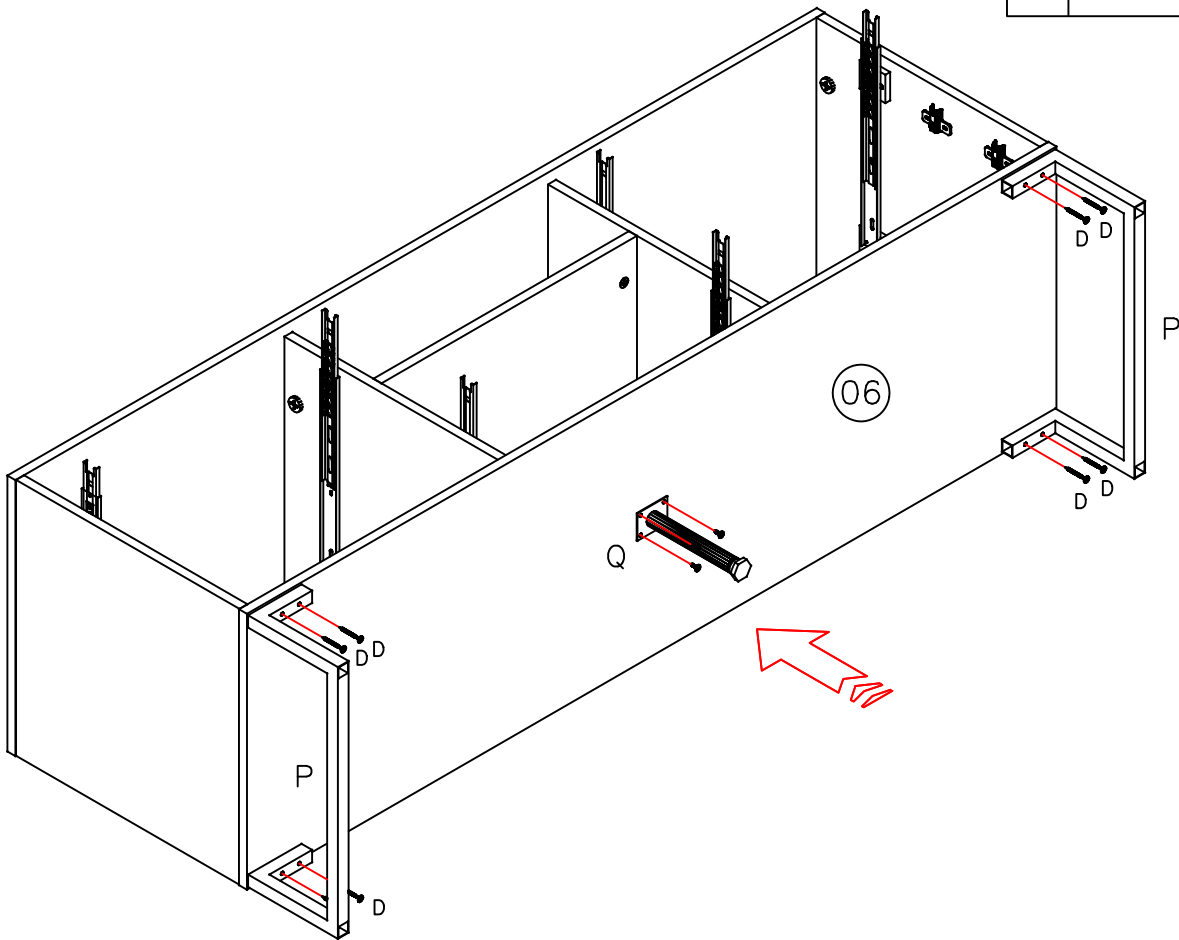


Proper orietation

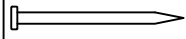
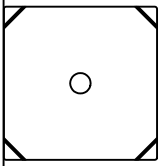


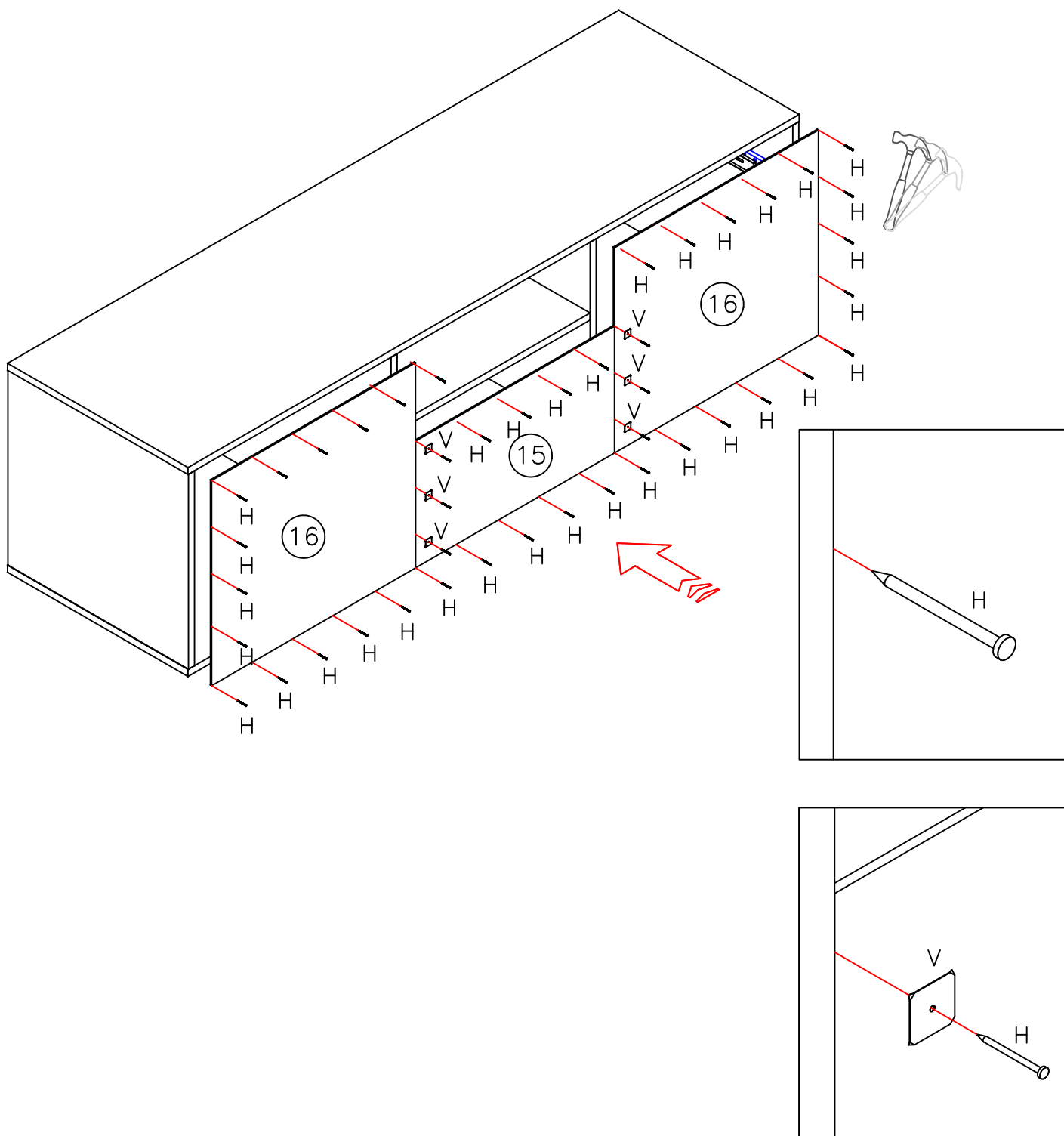
20

D		8
G		4
P		2
Q		1



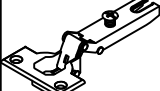
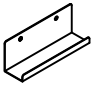


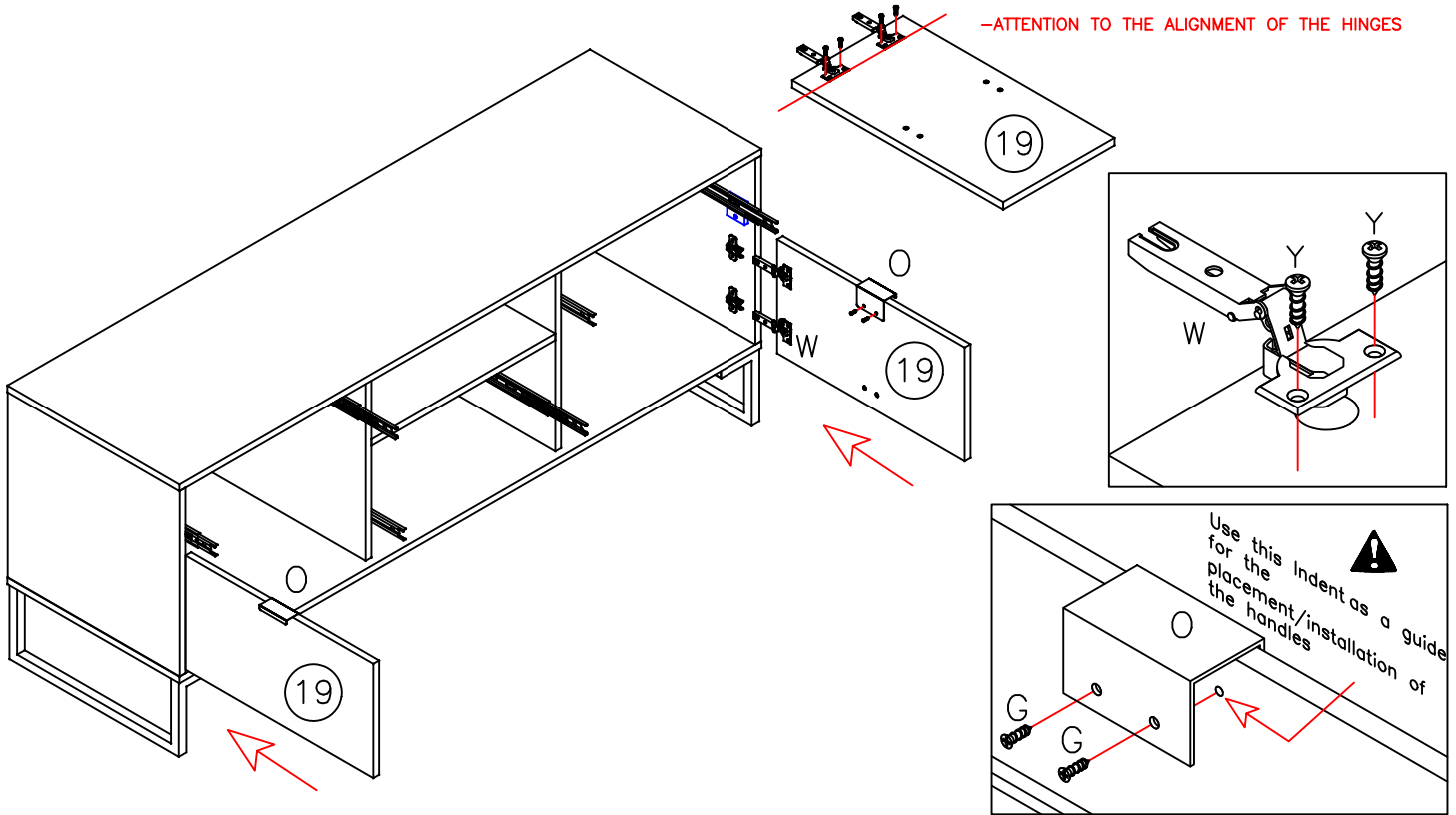
21

H		33
V		6

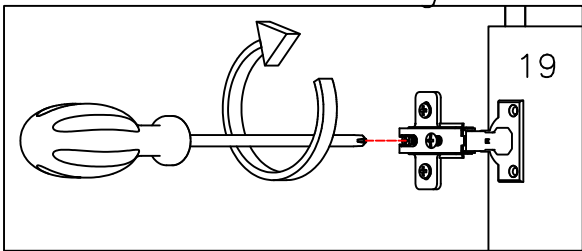


22

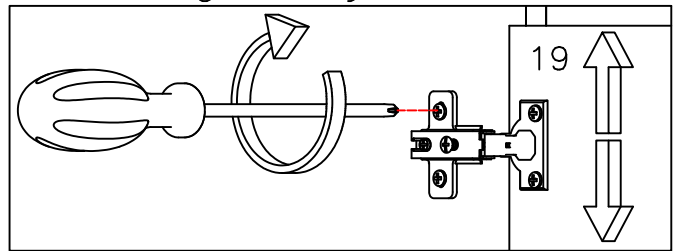
G		4	Y		8
W		4	O		2



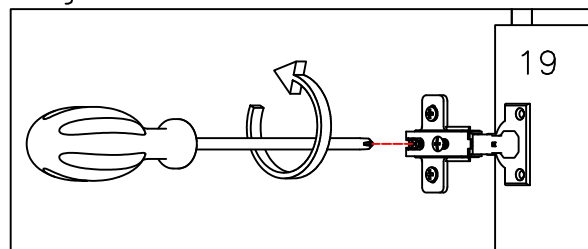
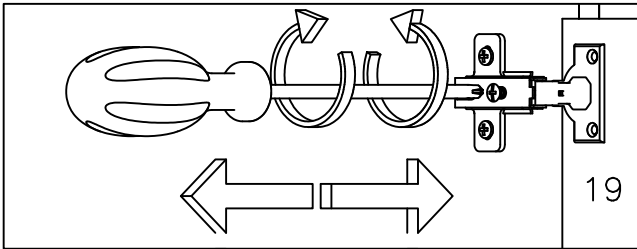
Door Setting



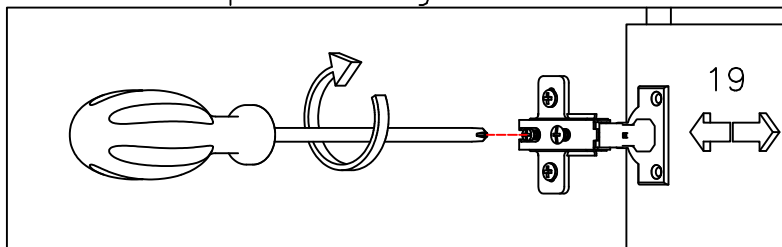
Height Adjustment



Internal Adjustment



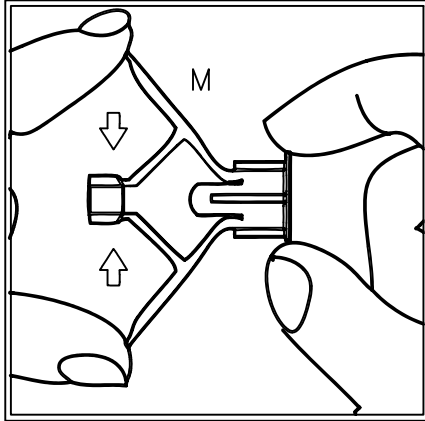
Depth Adjustment



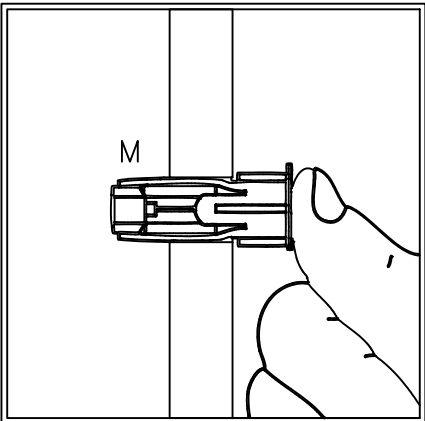
23

NOTE: Do not turn the DRYWALL ANCHOR into a wall stud. If you prefer to fasten the SAFETY ANTI-TIPPING to a wall stud, go to your local hardware store for proper hardware.

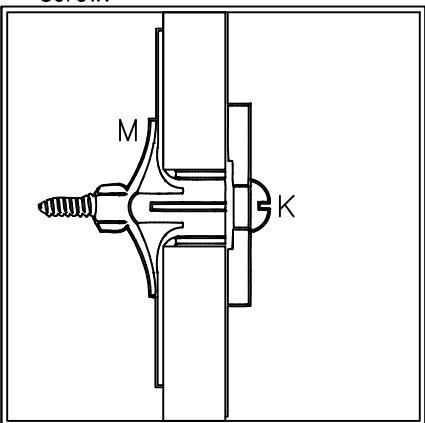
Compress the wings of anchor before inserting.



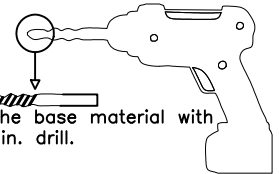
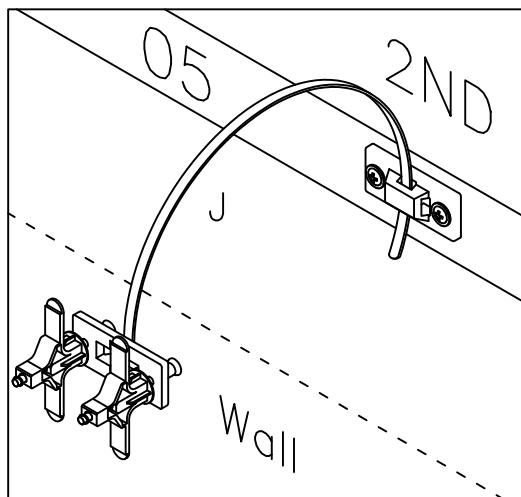
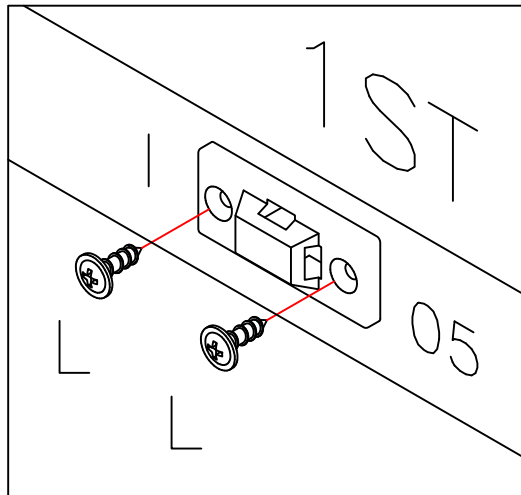
Insert the chuck into the hole of the base material.



Position the object over the bushing and secure it with a screw.



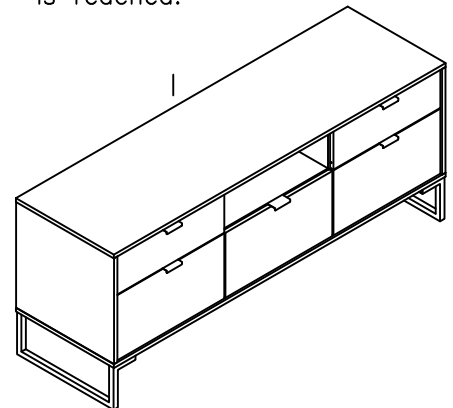
Anti-tipping installation			
I		Mounting bracket	2
J		Clamp	1
K		Screw 4.5x50	2
L		Screw 3.5x16 BC	2
M		Anchor	2



Pierce the base material with a 0.39 in. drill.

Important

- The minimum length of the screw must be the bushing length + object thickness that will be fixed.
- To guarantee the wing expansion function of the bushing, after the screw head is at the object to be fixed, one must continue to rotate the screw until maximum torque is reached.



▲ WARNING – Anti-Tip Advisory

Potential of serious fatal crushing injuries may occur from furniture tip-over. To help prevent tip-over:

ALWAYS INSTALL the tip-over restrain that came with your furniture. This tip-over restrains only reduces but does NOT completely eliminate the risk of tip-over

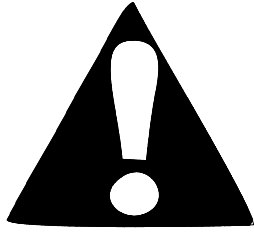
- ALWAYS Place the heaviest items in the lowest/bottom drawer.
- NEVER place TV's or other heavy objects on top of this product.
- NEVER allow children to scale/climb/hang on the drawers, doors, or shelves.
- NEVER open more than one drawer at a time.

B ADVERTENCIA – Aviso antivuelco

Pueden producirse lesiones graves por aplastamiento mortales debido al vuelco de los muebles. Para ayudar a prevenir vuelcos:

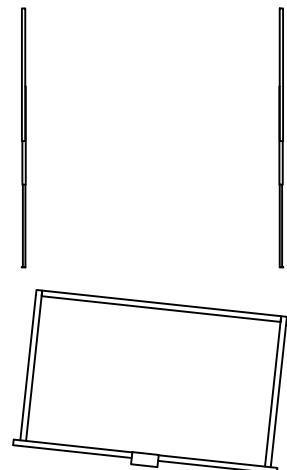
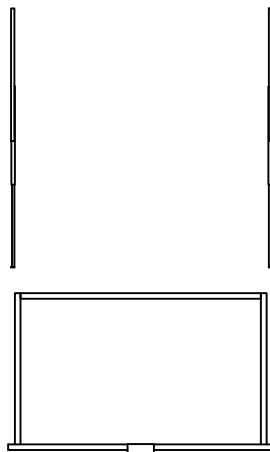
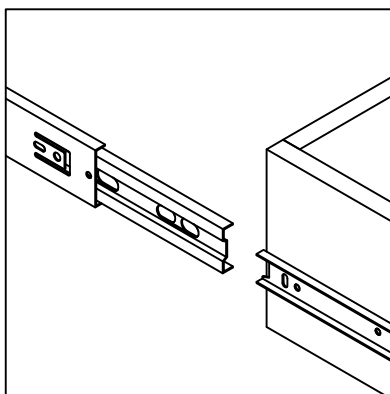
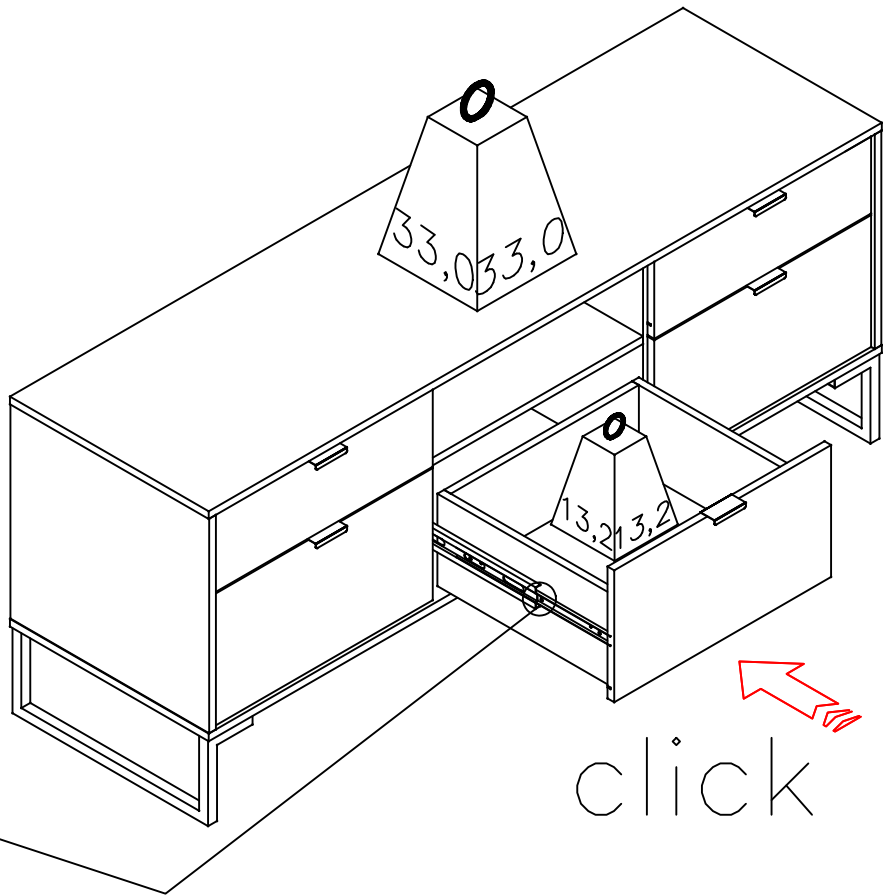
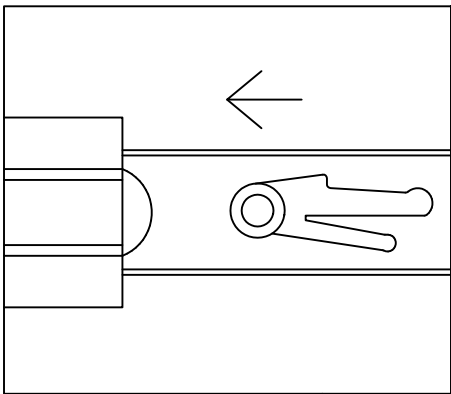
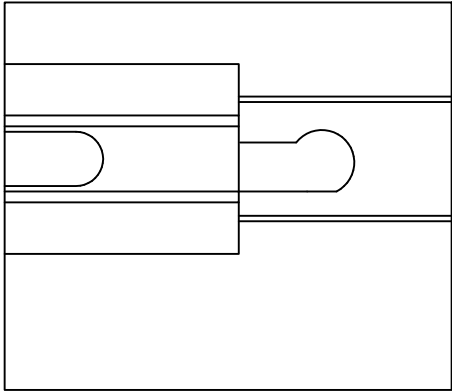
- SIEMPRE INSTALE el sistema de retención que viene con sus muebles. Este sistema antivuelco solo reduce pero NO elimina por completo el riesgo de vuelco.
- SIEMPRE coloque los artículos más pesados en el cajón más bajo /inferior.
- NUNCA coloque televisores u otros objetos pesados encima de este producto.
- NUNCA permita que los niños escalen, trepen o se cuelguen de los cajones, puertas o estantes.
- NUNCA abra más de un cajón a la vez

24



Drawer installation

Insert the slide into the profile and close the drawer to finish locking the clip.

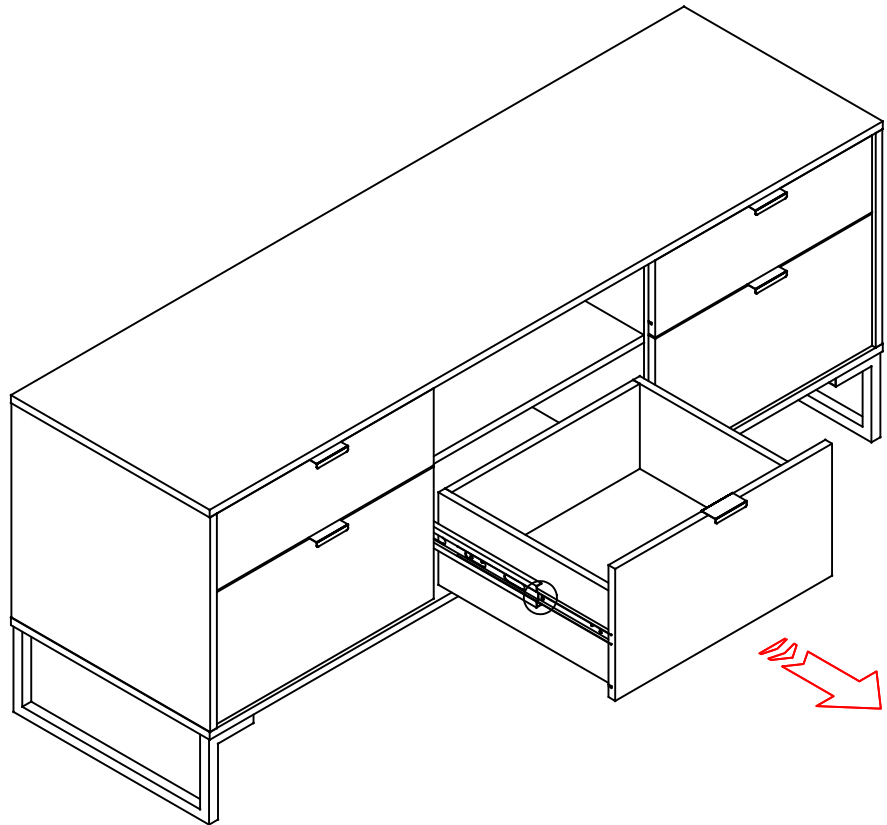


25



Drawer Removal

Open the drawer completely. Unlock the side clips, then pull out the drawer.



Observe the position of the side clips for disassembling the slide

