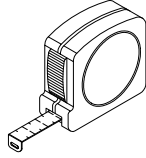
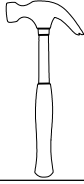
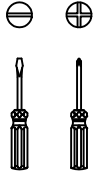
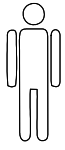


ASSEMBLY INSTRUCTIONS

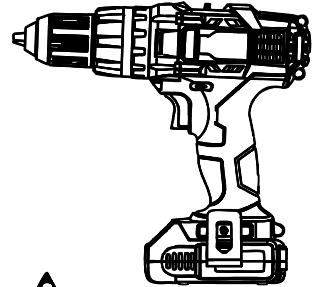
01/18
EU004



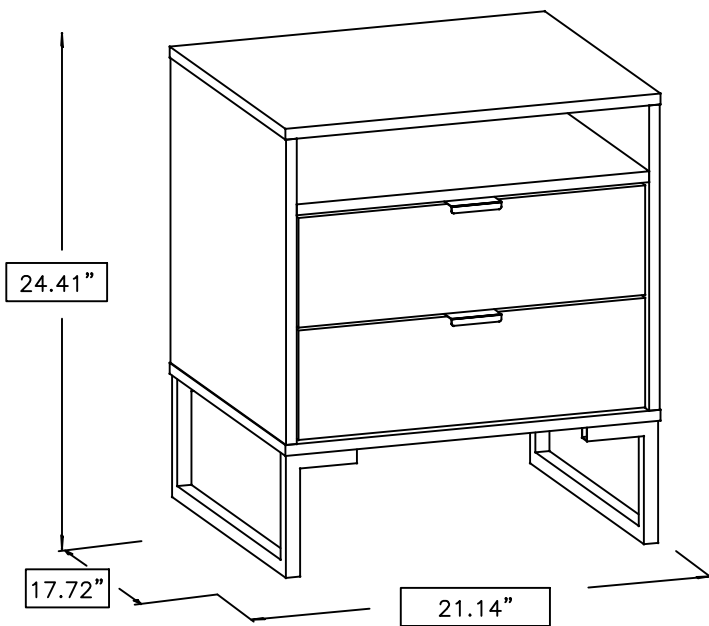
Warning –
CHOKING HAZARD – Small Parts Not for children under 3 years. Adult assembly required.



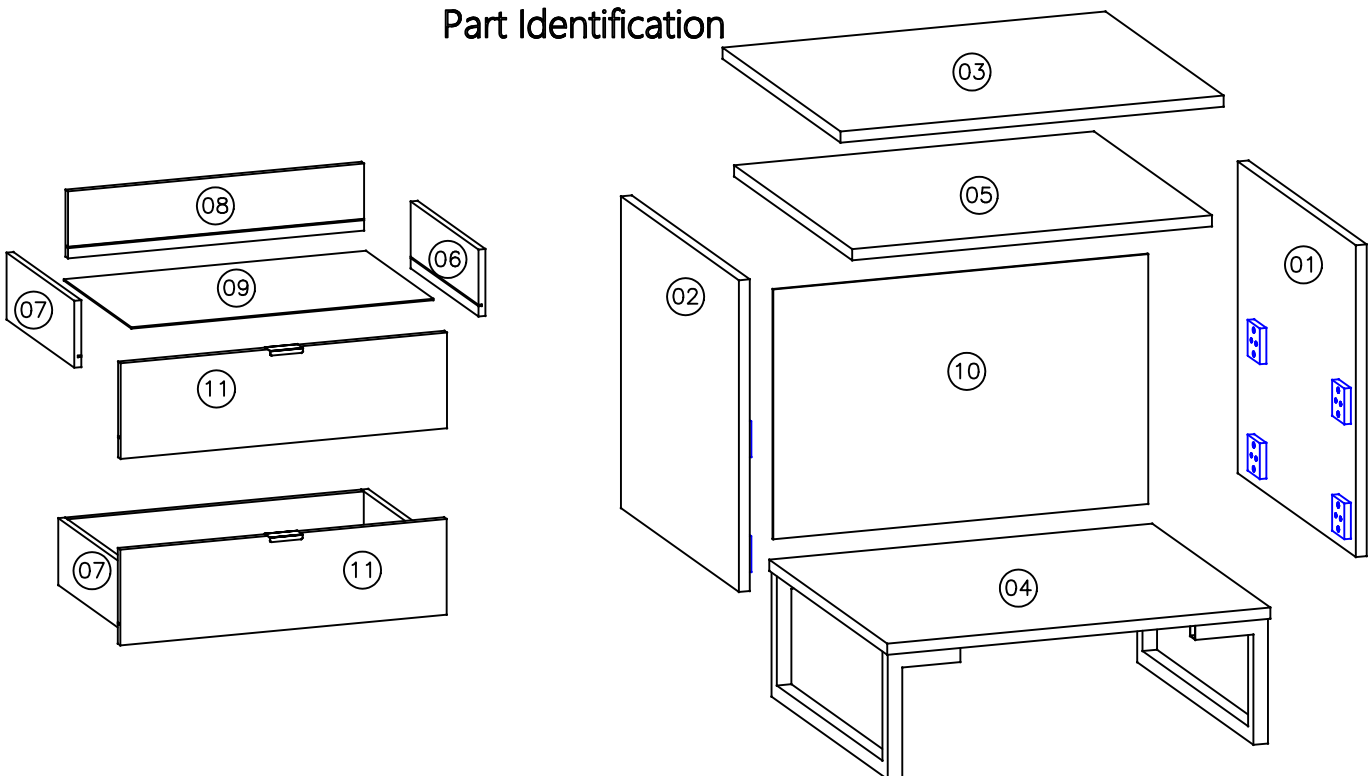
90mins



Although not required, it is recommended that a drill be used to help ease the assembly process, as some holes are not pre-drilled.



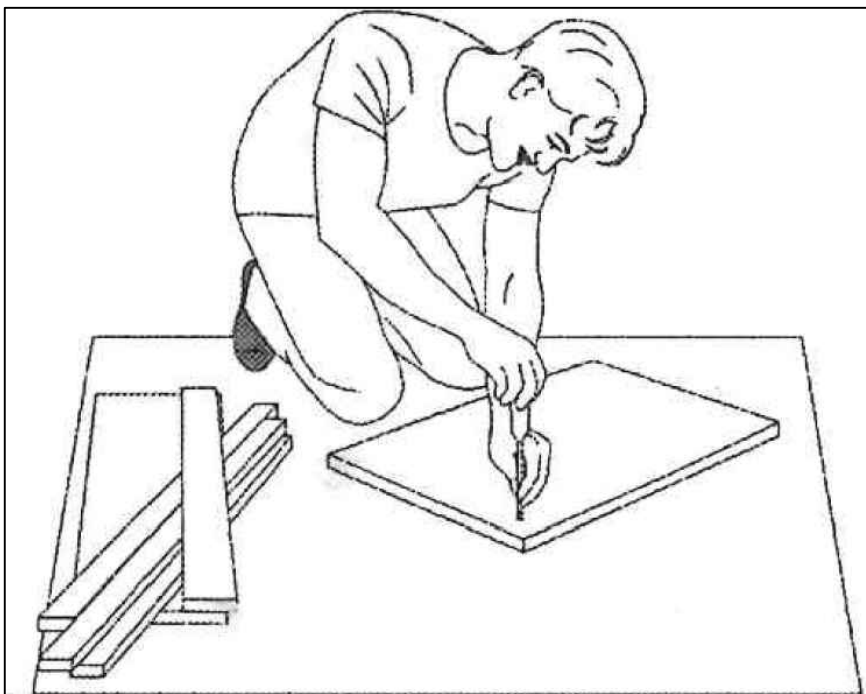
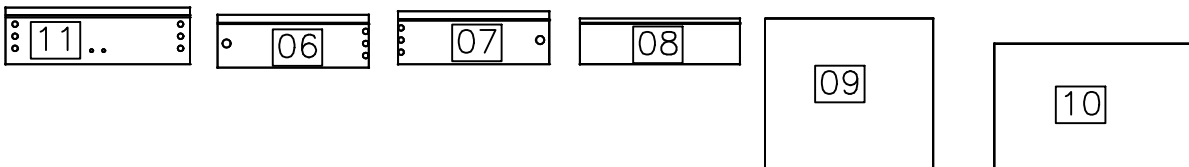
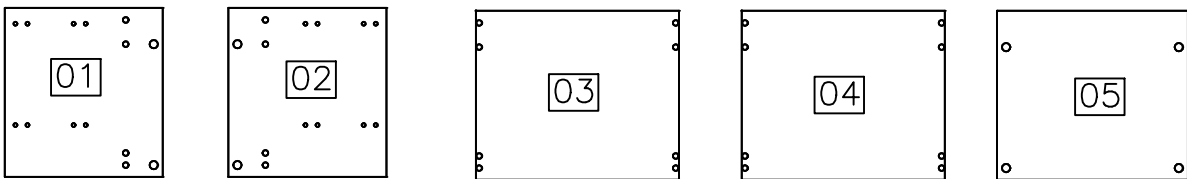
Part Identification



List of pieces

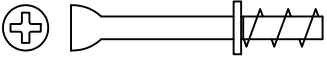
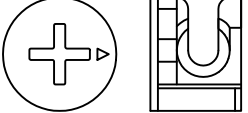
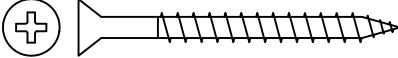
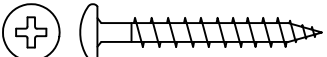
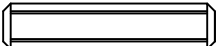

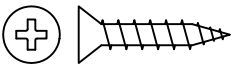
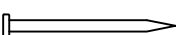
Code	Description	Amount	Length (in.)	Width (in.)	Thickness (in.)	Box
01	Right side panel	1	16.46"	17.60"	.59"	A
02	Left side panel	1	16.46"	17.60"	.59"	A
03	Top panel	1	21.14"	17.60"	.59"	A
04	Base panel	1	21.14"	17.60"	.59"	A
05	Shelf	1	19.88"	17.60"	.59"	A
06	Right side of drawer	2	15.75"	4.72"	.59"	A
07	Left side of drawer	2	15.75"	4.72"	.59"	A
08	Back of drawer	2	17.01"	17.01"	.59"	A
09	Drawer bottom	2	17.52"	15.67"	.12"	A
10	Back panel	1	20.71"	13.19"	.12"	A
11	Front of drawer	2	19.57"	5.91"	.59"	A

For issues with ASSEMBLY or PARTS please contact CS@k1intlgrp.com or Toll-free 1-877-250-2820.

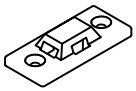

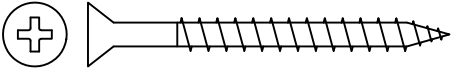
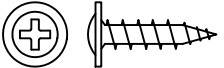
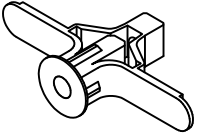


It is recommended the use of the box in which your furniture arrived in, be opened, and laid out on the floor as your work area. This helps prevent an unnecessary damages from occurring.

T
O
S
C
A
L
E

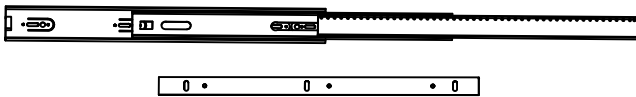
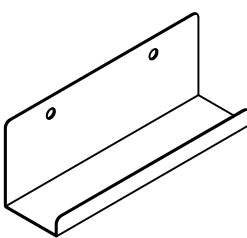
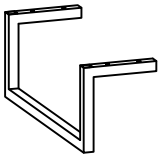
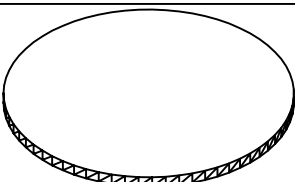
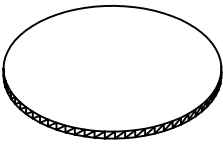
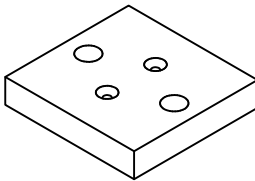
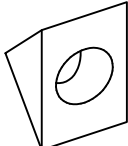
Hardware			
	Code	Description	Amou.
A	30945	 Cam Screws	12
B	30950	 Cam Locks	12
C	226	 Screw 4x40	8
D	379	 Screw 4,0X30	8
E	1802	 Dowel 6x30mm	28
F	4214	 Screw 3,5x14	44
G	5256	 Screw 4x20	4
H	107	 Nail 10x10	17

Anti-tipping installation

I	55606	 Mounting bracket	2
J	55607	 Clamp	1
K	51980	 Screw 4,5x50	2
L	1178	 Parafuso/ Tornillo/ Screw 3,5x16 BC	2
M	32069	 Adapter sleeve	2



N
O
T
O
T
O
S
C
A
L
E

N	43136		Metal slide 350mm	2
O	BR=40726 (Branco fosco) EBPR1=39999 (Preto fosco) ITAR1=54043 (Off White)		Handle 70mm	2
P	BR=55387 (Branco Fosco) EBPR1=55388 (Preto Fosco) ITAR1=55386 (Off White)		Metal foot tube	2
Q	BR=44156 (Branco K1) EBPR1=50493 (Ebano Grigio) ITAR1=40392 (Itapuã)		Screw cap cover 19mm	12
R	BR=44157 (Branco K1) EBPR1=09399 (Ebano Grigio) ITAR1=40391 (Itapuã)		Screw cap cover 13mm	8
S	BR=55558 (Branco) EBPR1=55287 (Preto) ITAR1=55287 (Preto)		Retractor	8
T	18458		Black triangular support	4

01 Saco pequeno para acessórios (Internal production data)

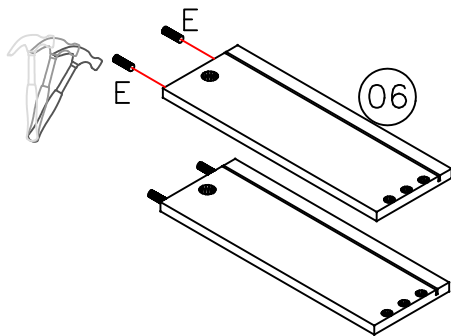
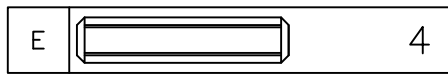
01 Saco pequeno para puxador (Internal production data)



1A

Drawer Preassembly

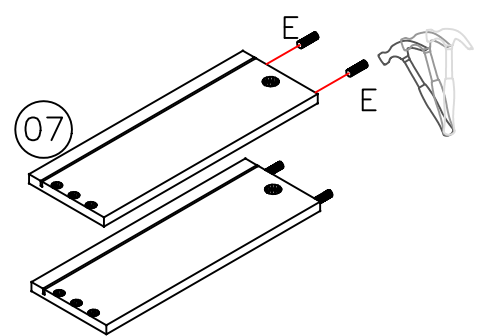
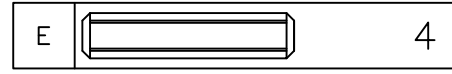
This process is repeated twice



1B

Drawer Preassembly

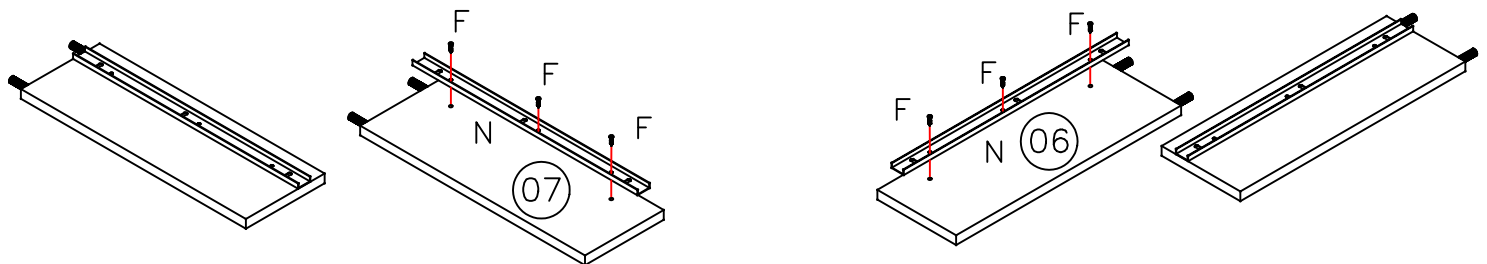
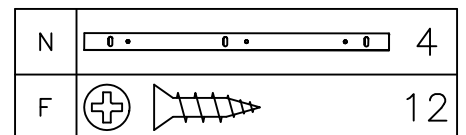
This process is repeated twice



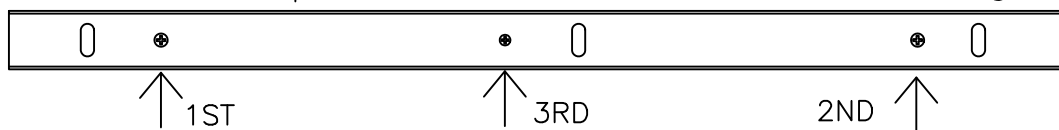
1C

Drawer Preassembly

This process is repeated twice



Correct position of the screws "F"



To adjust the height of the drawer, the "F" screw must be placed in the oval horizontal spacing of the "N" rail



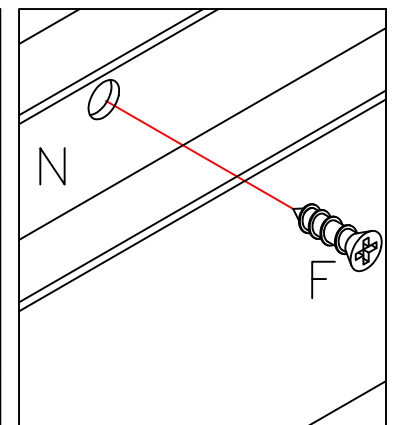
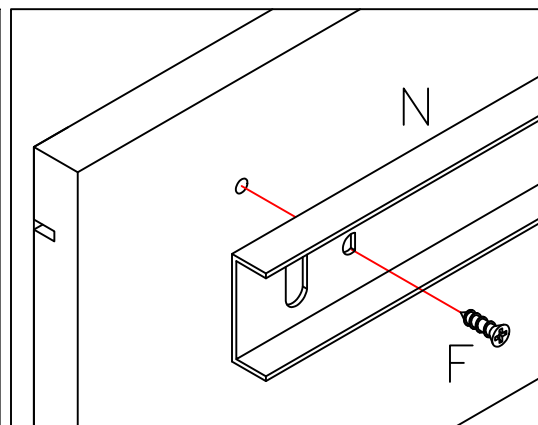
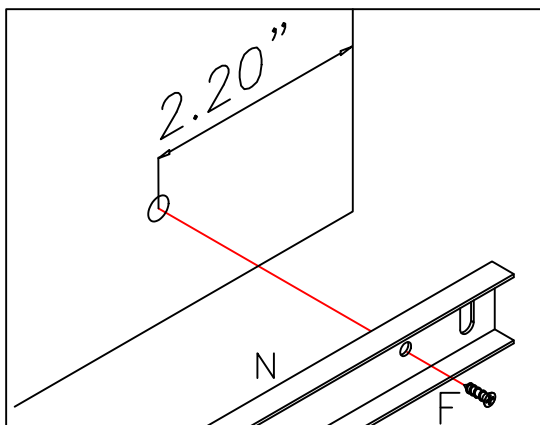
1ST



2ND



3RD



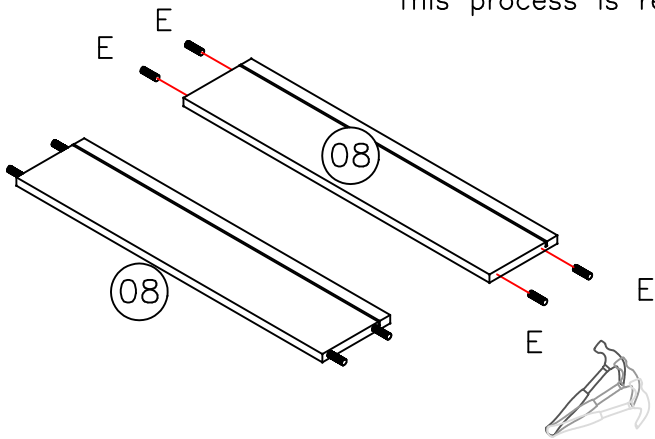
Use the indent as a guide for installing the rails



1D

Drawer Preassembly

This process is repeated twice

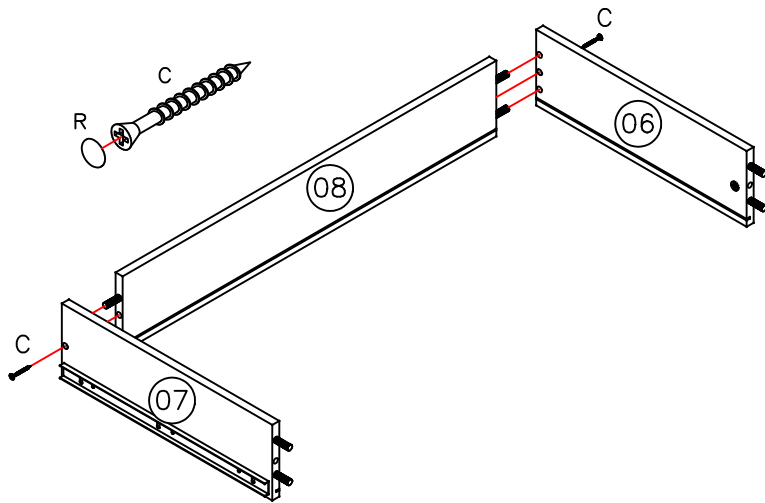


E		8
---	--	---

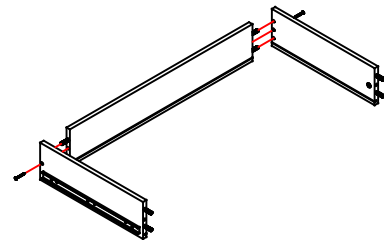
2

Drawers Mounting

This process is repeated twice



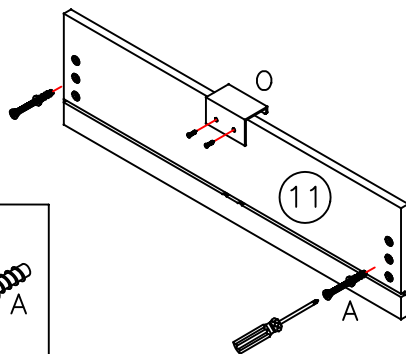
C		4
R		4



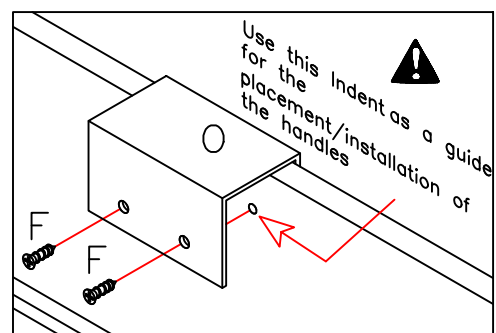
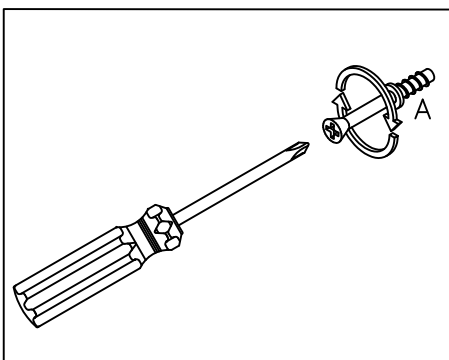
3

Drawer Assembly

This process is repeated twice



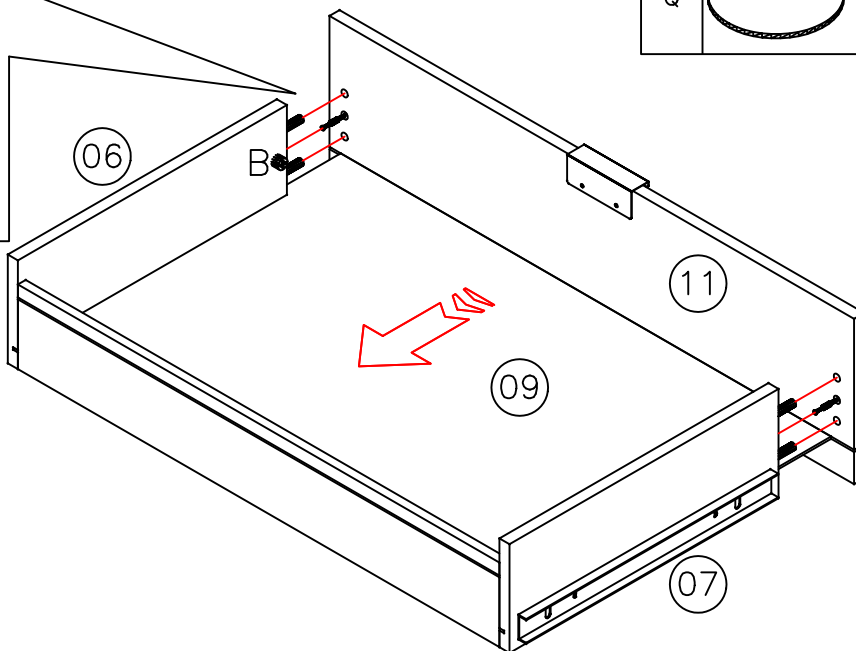
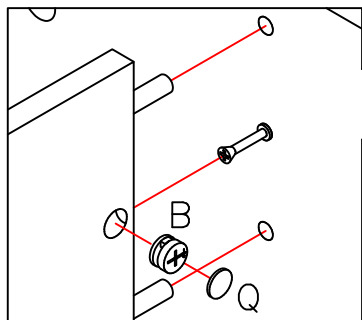
A		4
O		2
F		4



4

Drawers Mounting

This process is repeated twice

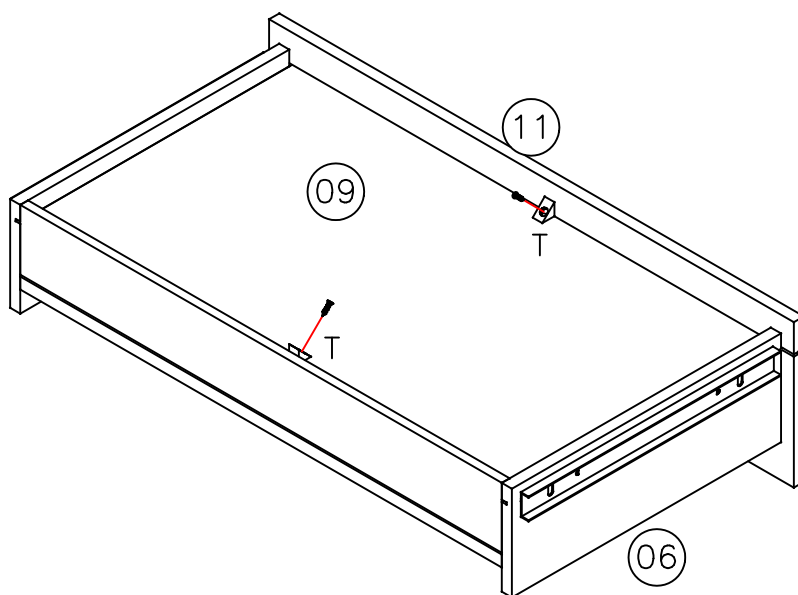
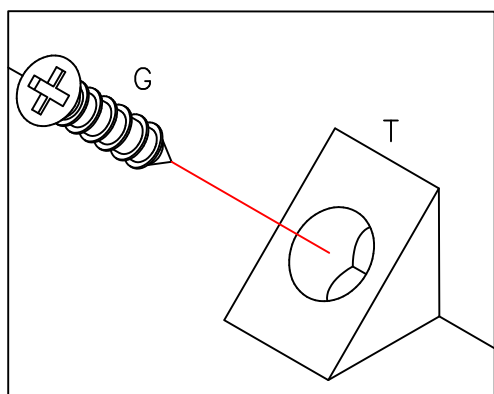


B			4
Q			4

5

Drawer final assembly

This process is repeated twice



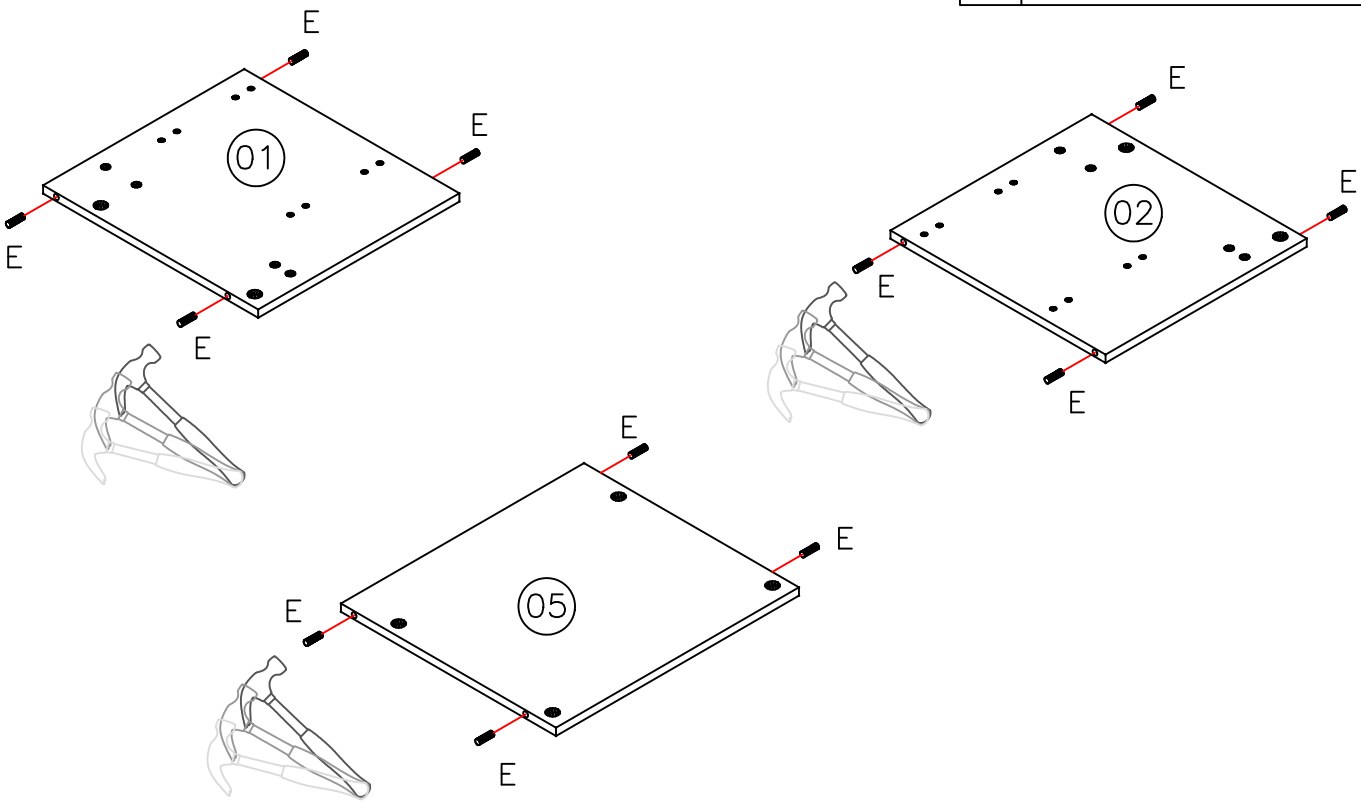
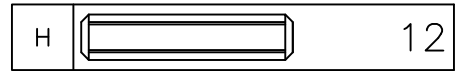
G			4
T			4

If you have any further questions regarding the assembly of the drawer, access the website through the QR CODE

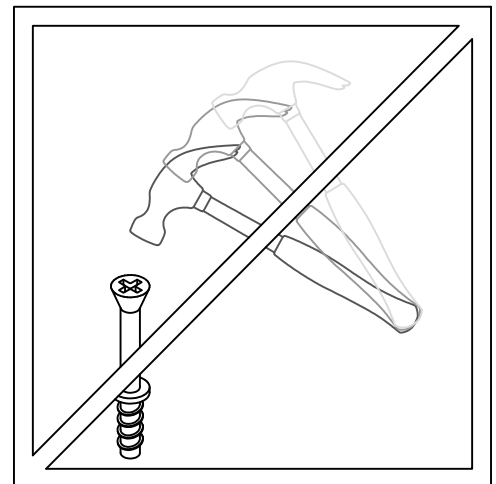
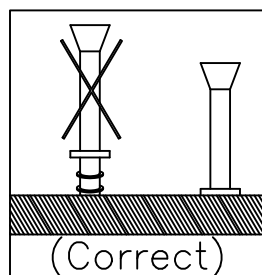
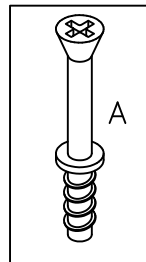
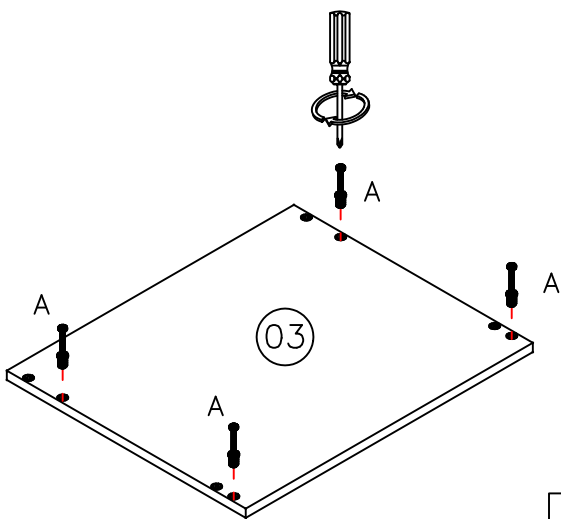
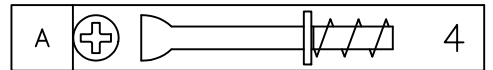


6

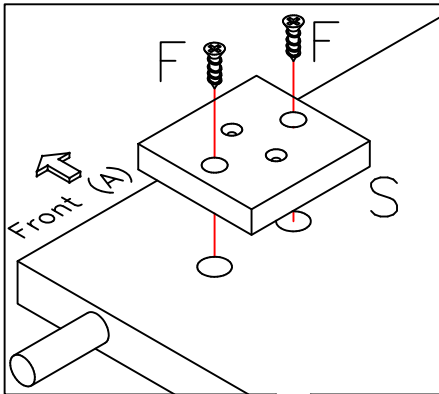
Preassembly of parts



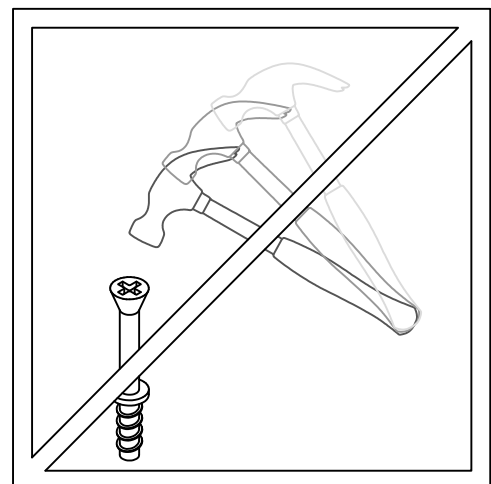
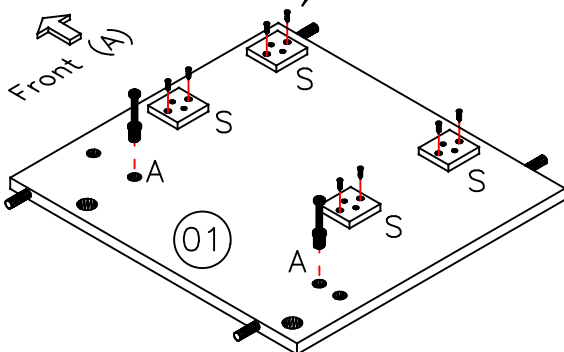
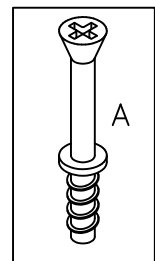
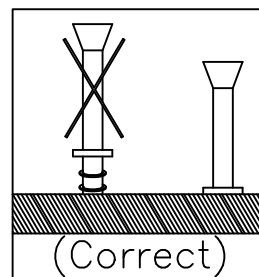
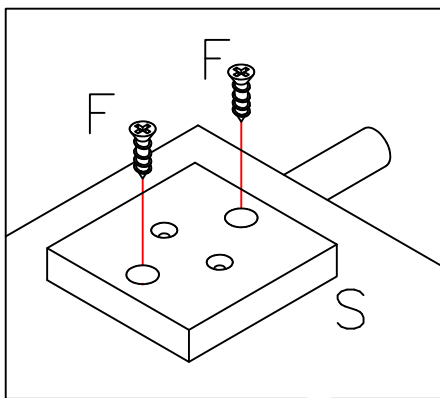
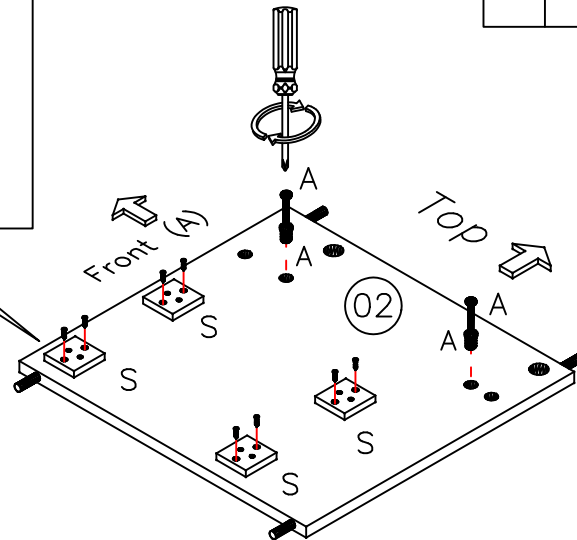
7




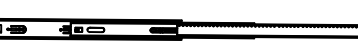
8

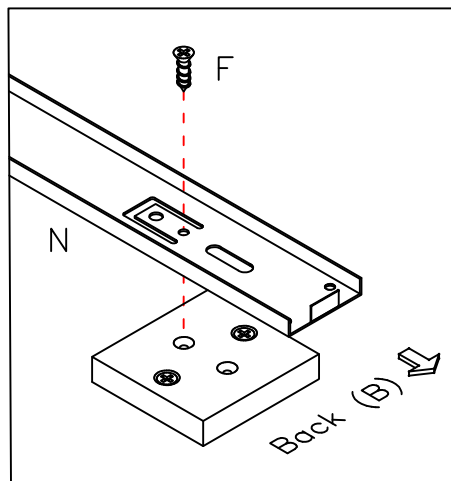
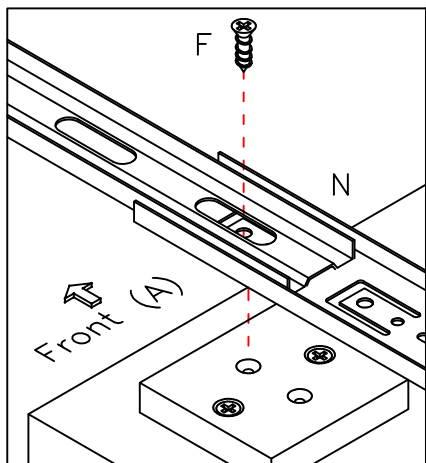
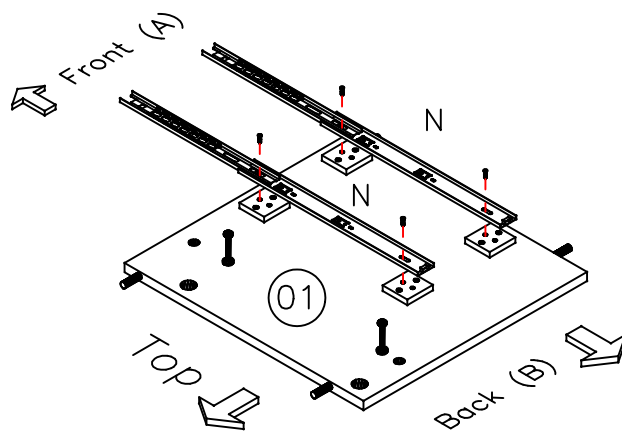
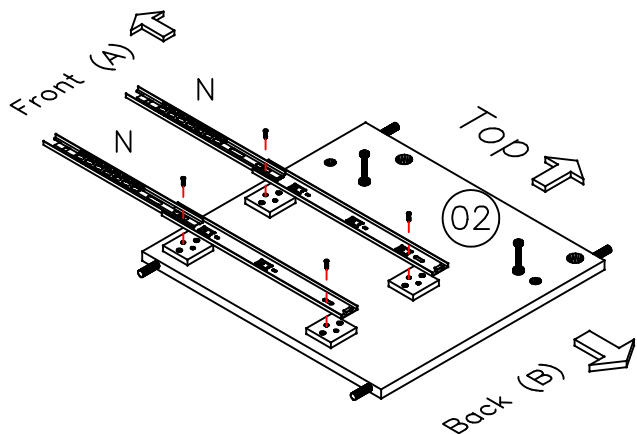


A		4
F		16
S		8

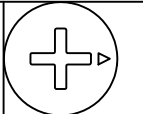
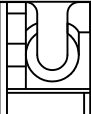
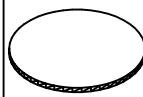


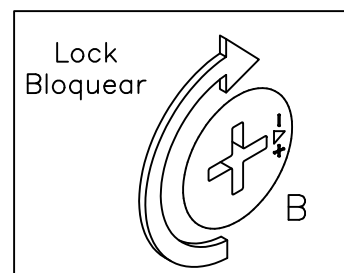
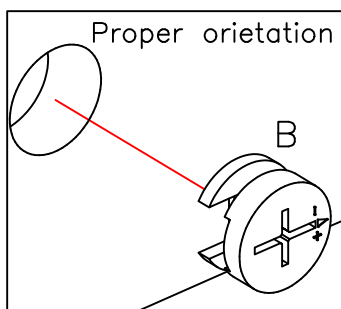
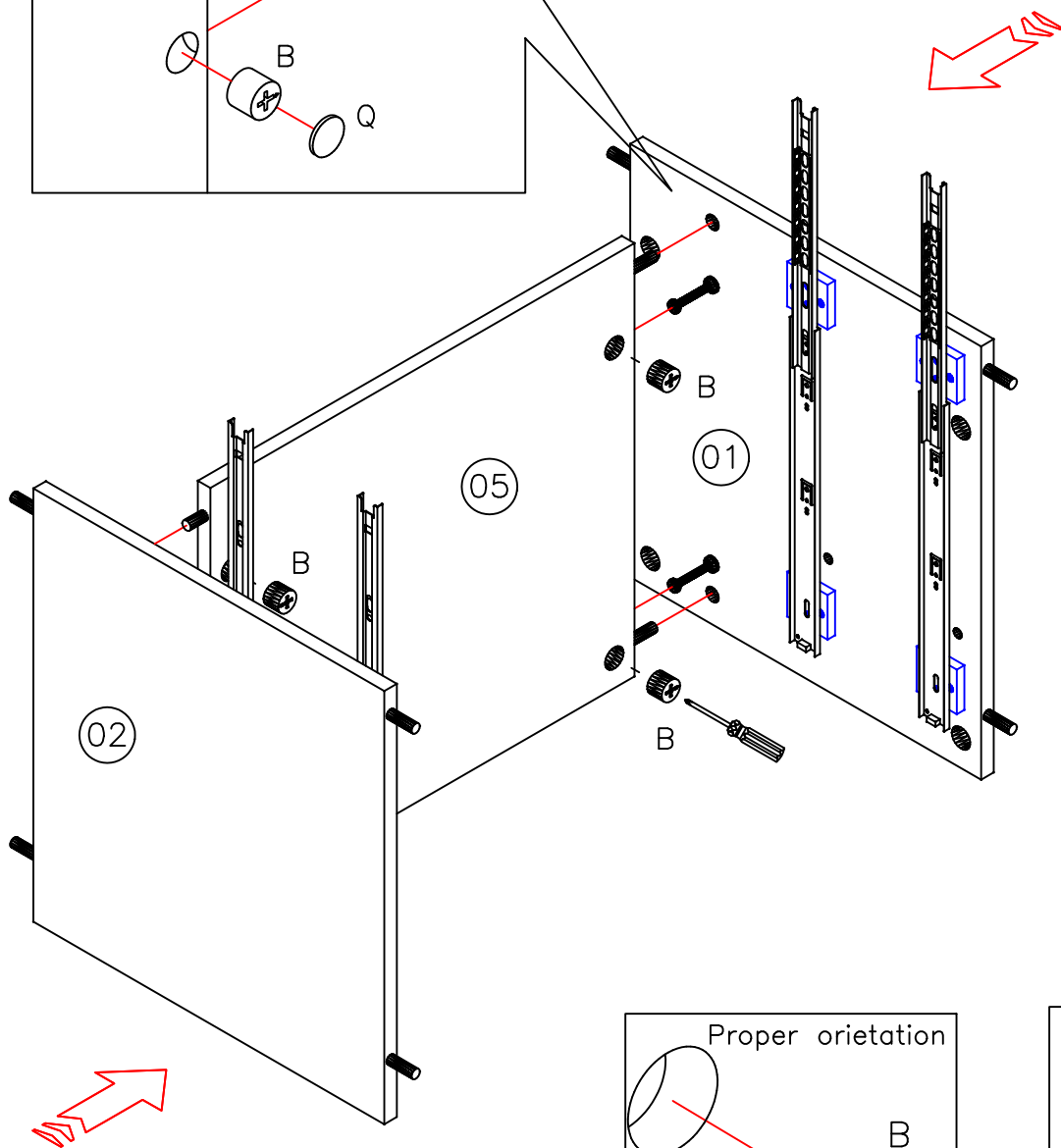
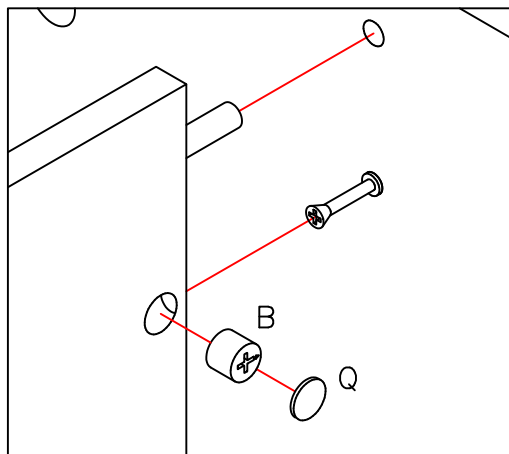
9

F		8
N		4


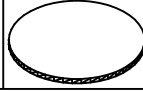


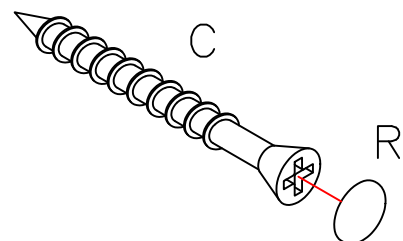
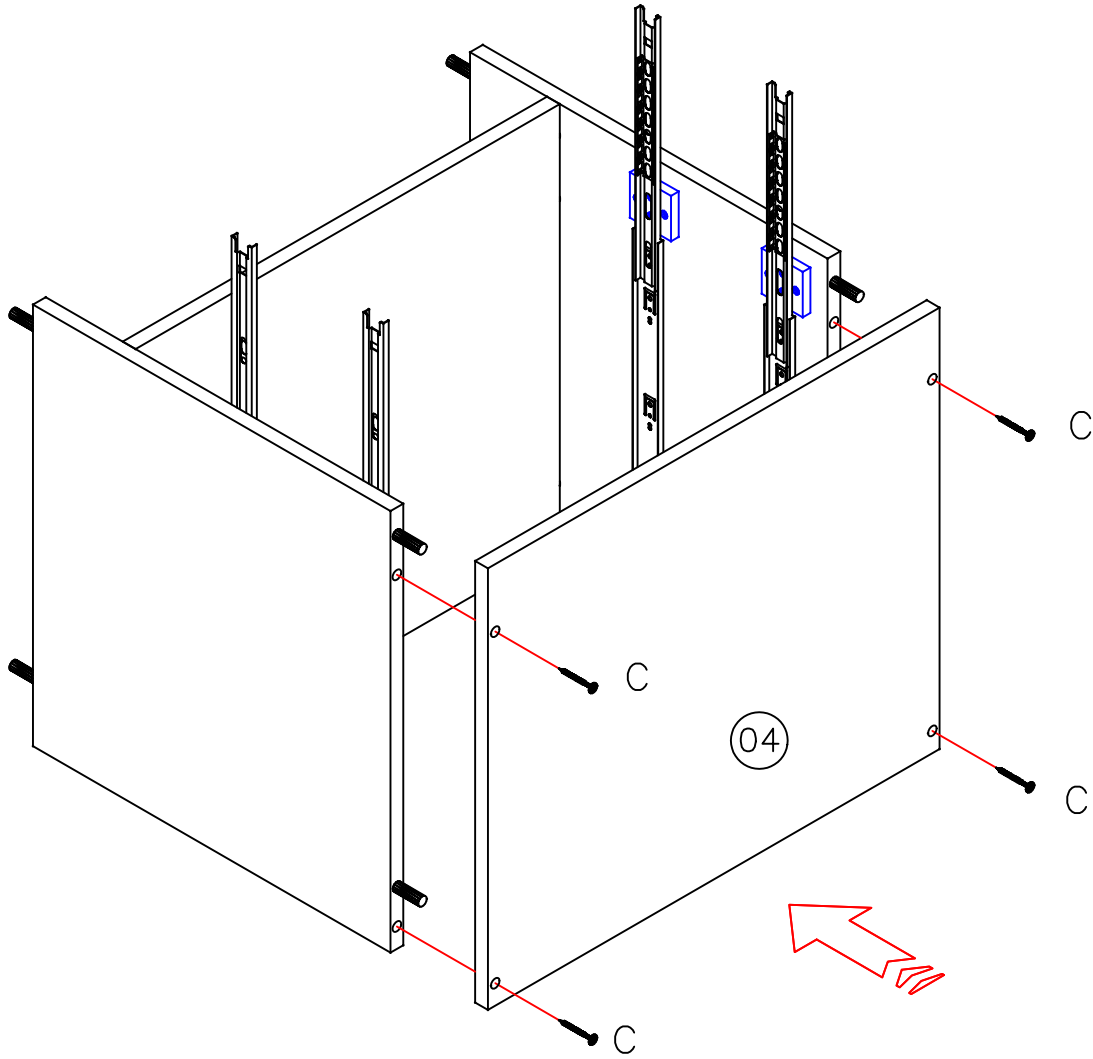
10

B			4
Q			4

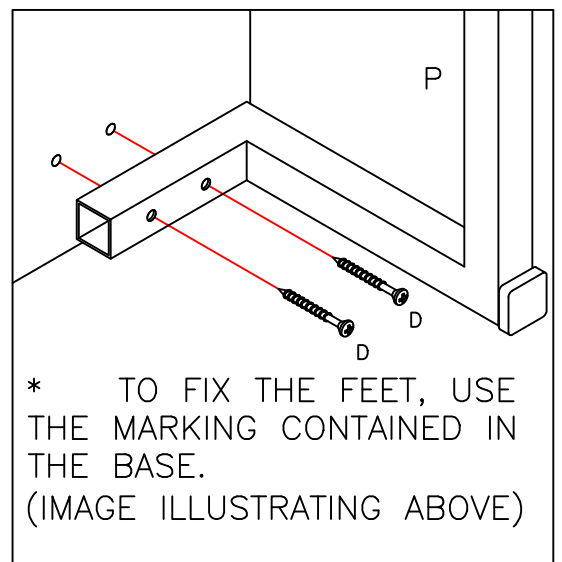
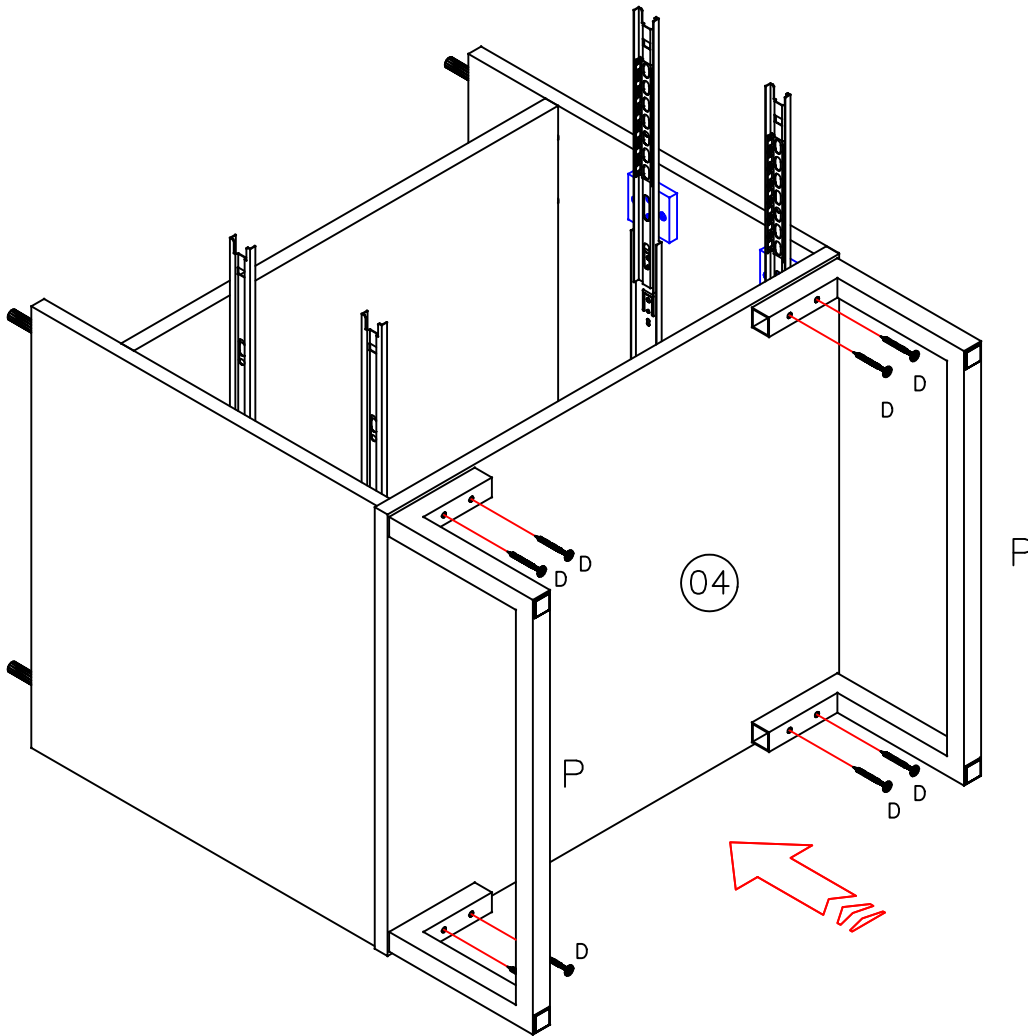
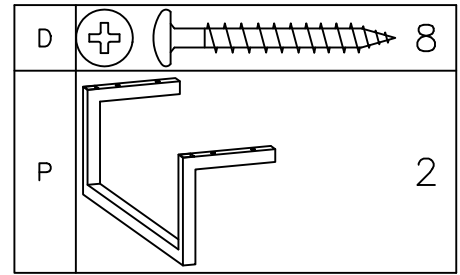


11


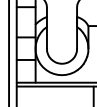

C		4
R		4

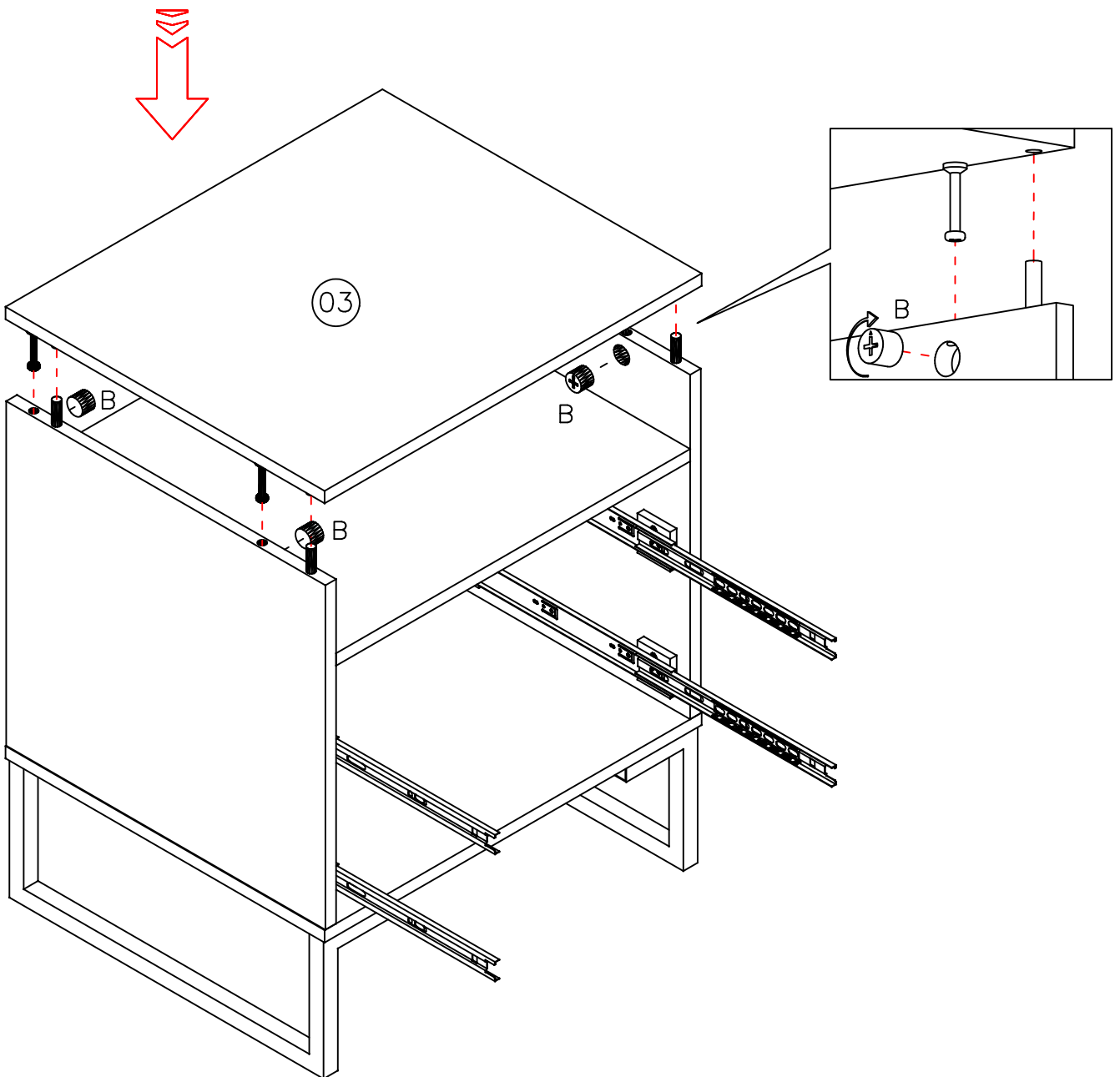


12

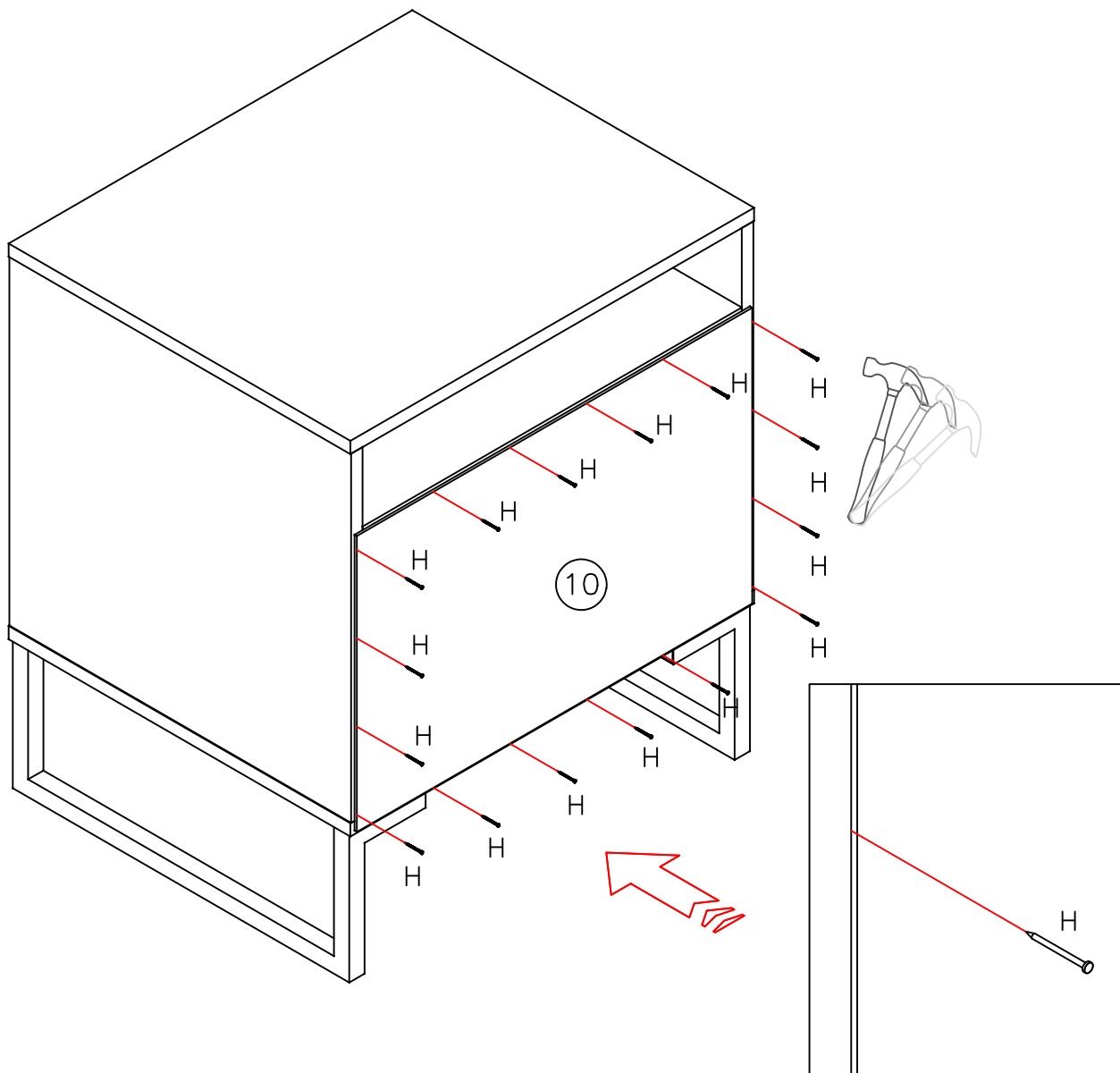
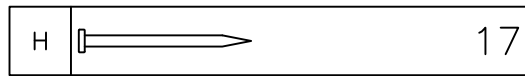


13

B			4
Q			4



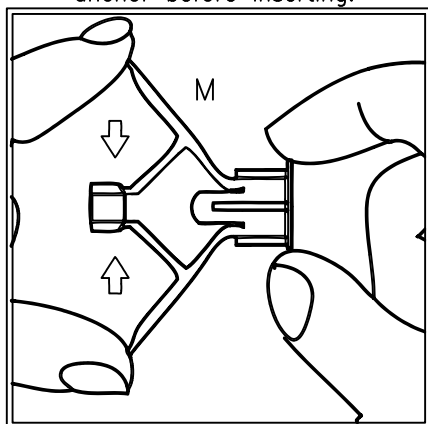
14



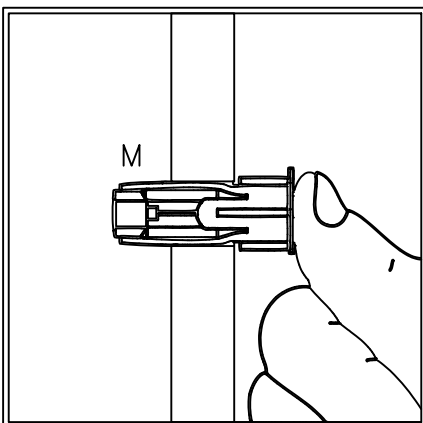
15

NOTE: Do not turn the DRYWALL ANCHOR into a wall stud. If you prefer to fasten the SAFETY ANTI-TIPPING to a wall stud, go to your local hardware store for proper hardware.

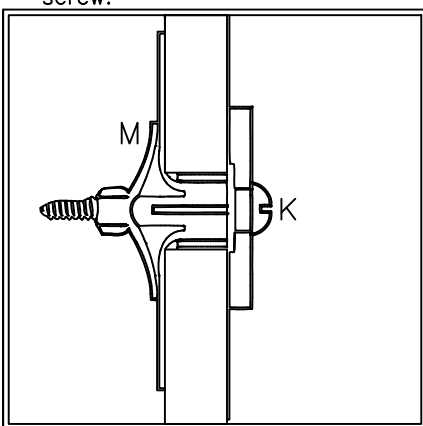
Compress the wings of anchor before inserting.



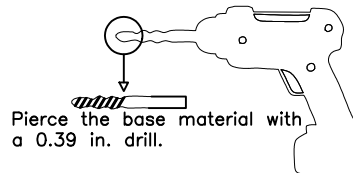
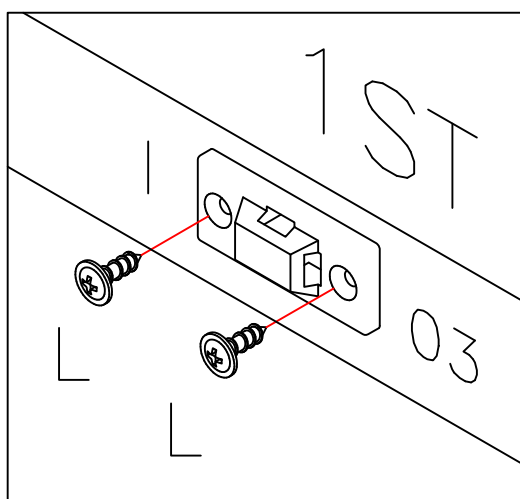
Insert the chuck into the hole of the base material.



Position the object over the bushing and secure it with a screw.

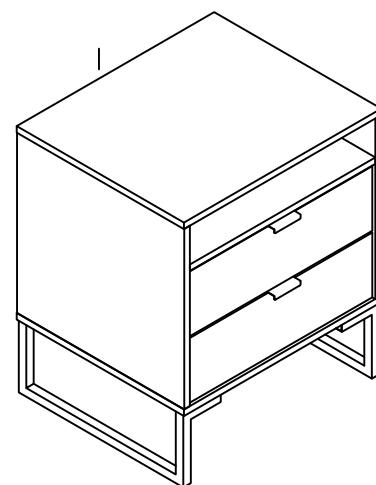
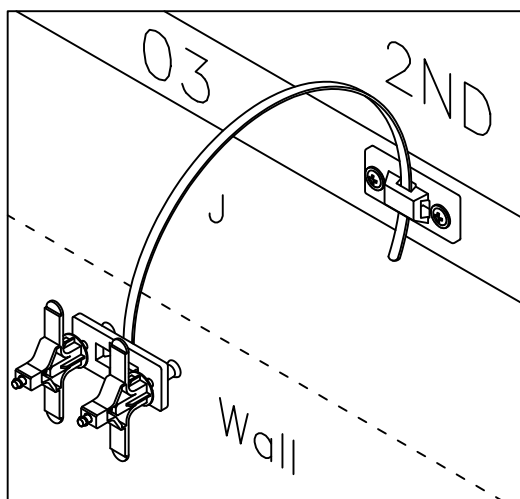


Anti-tipping installation			
I		Mounting bracket	2
J		Clamp	1
K		Screw 4,5x50	2
L		Screw 3,5x16 BC	2
M		Anchor	2



Important

- The minimum length of the screw must be the bushing length + object thickness that will be fixed.
- To guarantee the wing expansion function of the bushing, after the screw head is at the object to be fixed, one must continue to rotate the screw until maximum torque is reached.



A WARNING –Anti-Tip Advisory

Potential of serious fatal crushing injuries may occur from furniture tip-over. To help prevent tip-over:

ALWAYS INSTALL the tip-over restrain that came with your furniture. This tip-over restrains only reduces but does NOT completely eliminate the risk of tip-over

- ALWAYS Place the heaviest items in the lowest/bottom drawer.
- NEVER place TV's or other heavy objects on top of this product.
- NEVER allow children to scale/climb/hang on the drawers, doors, or shelves.
- NEVER open more than one drawer at a time.

B ADVERTENCIA – Aviso antivuelco

Pueden producirse lesiones graves por aplastamiento mortales debido al vuelco de los muebles. Para ayudar a prevenir vuelcos:

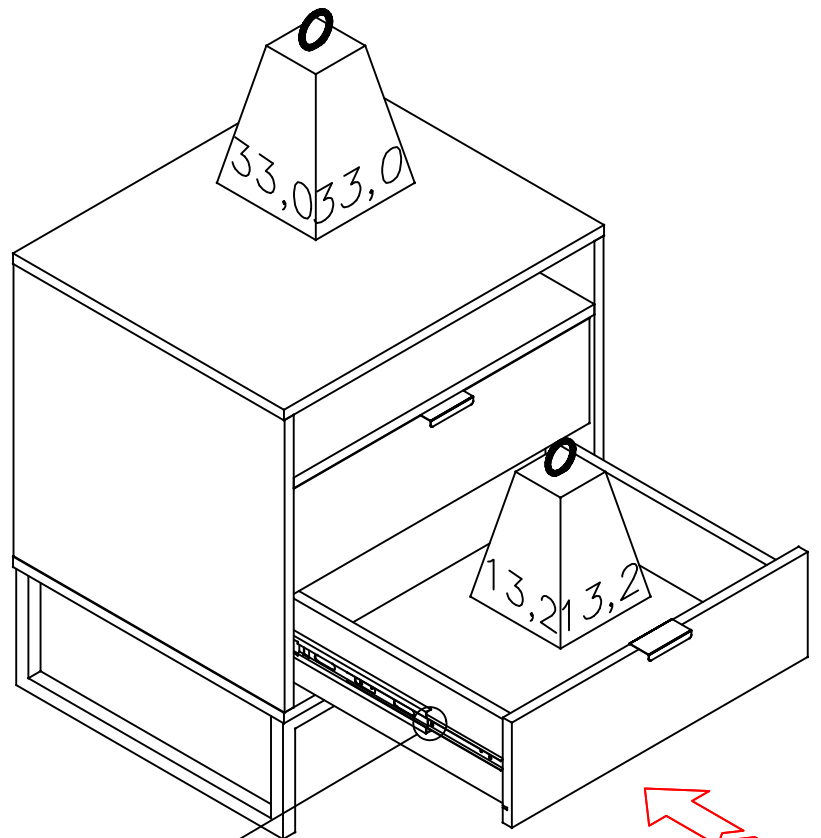
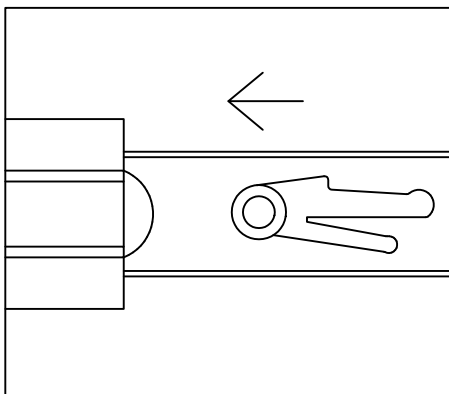
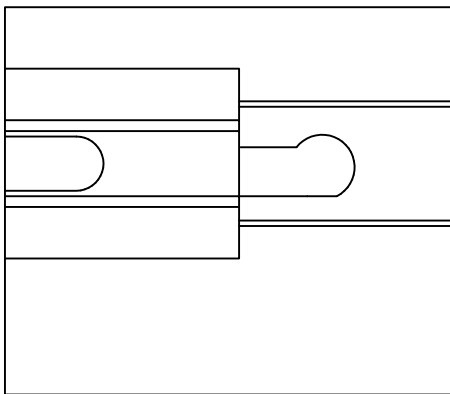
- SIEMPRE INSTALE el sistema de retención que viene con sus muebles. Este sistema antivuelco solo reduce pero NO elimina por complet el riesgo de vuelco.
- SIEMPRE coloque los artículos más pesados en el cajón más bajo /inferior.
- NUNCA coloque televisores u otros objetos pesados encima de este producto.
- NUNCA permita que los niños escalen, trepen o se cuelguen de los cajones, puertas, estantes.
- NUNCA abra más de un cajón a la vez

16

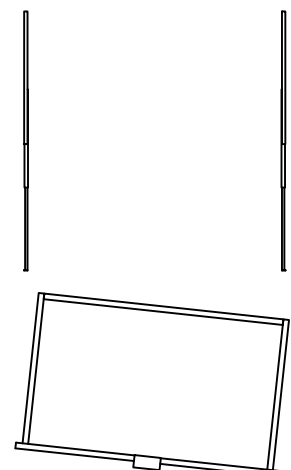
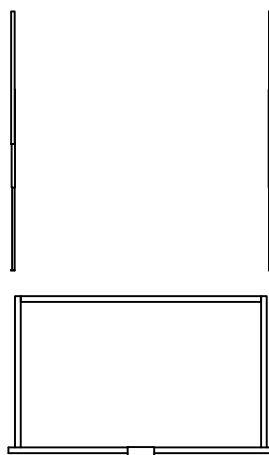
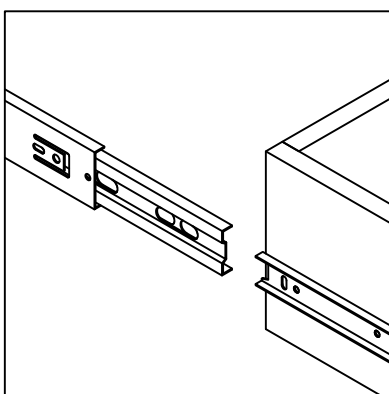


Drawer installation

Insert the slide into the profile and close the drawer to finish locking the clip.



click

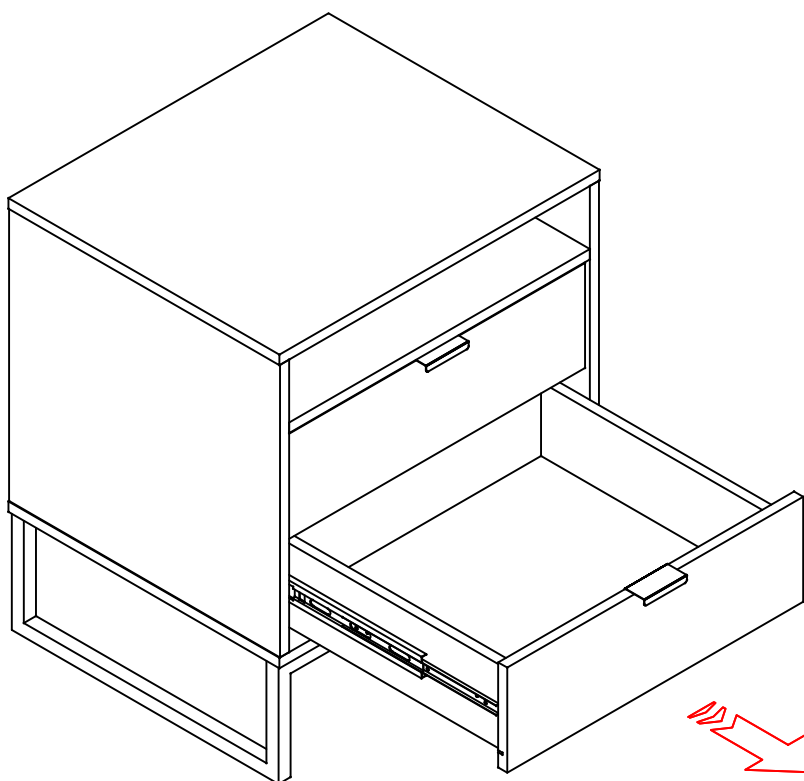


17



Drawer Removal

Open the drawer completely. Unlock the side clips, then pull out the drawer.



Observe the position of the side clips for disassembling the slide

