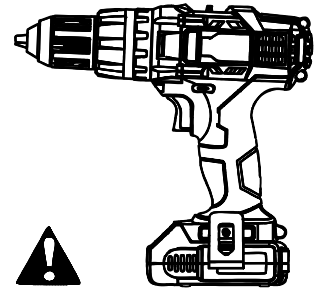
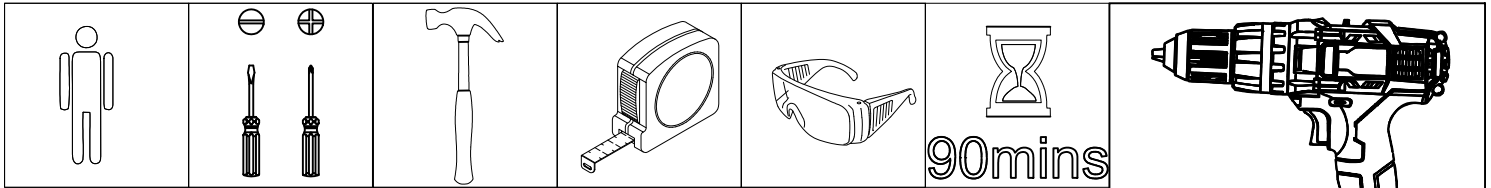


ASSEMBLY INSTRUCTIONS

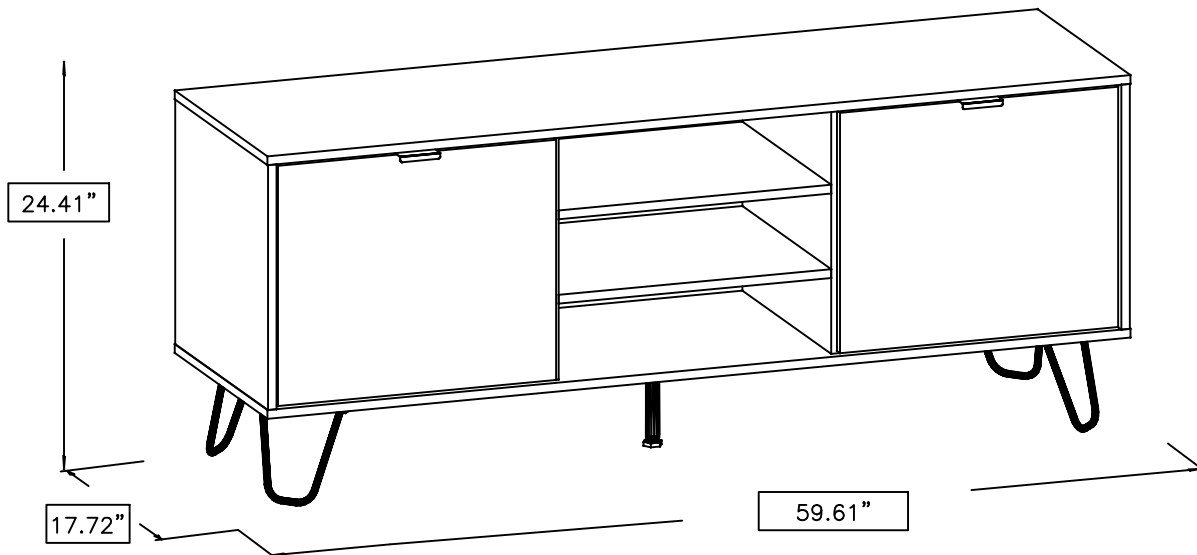
01/15
EU009



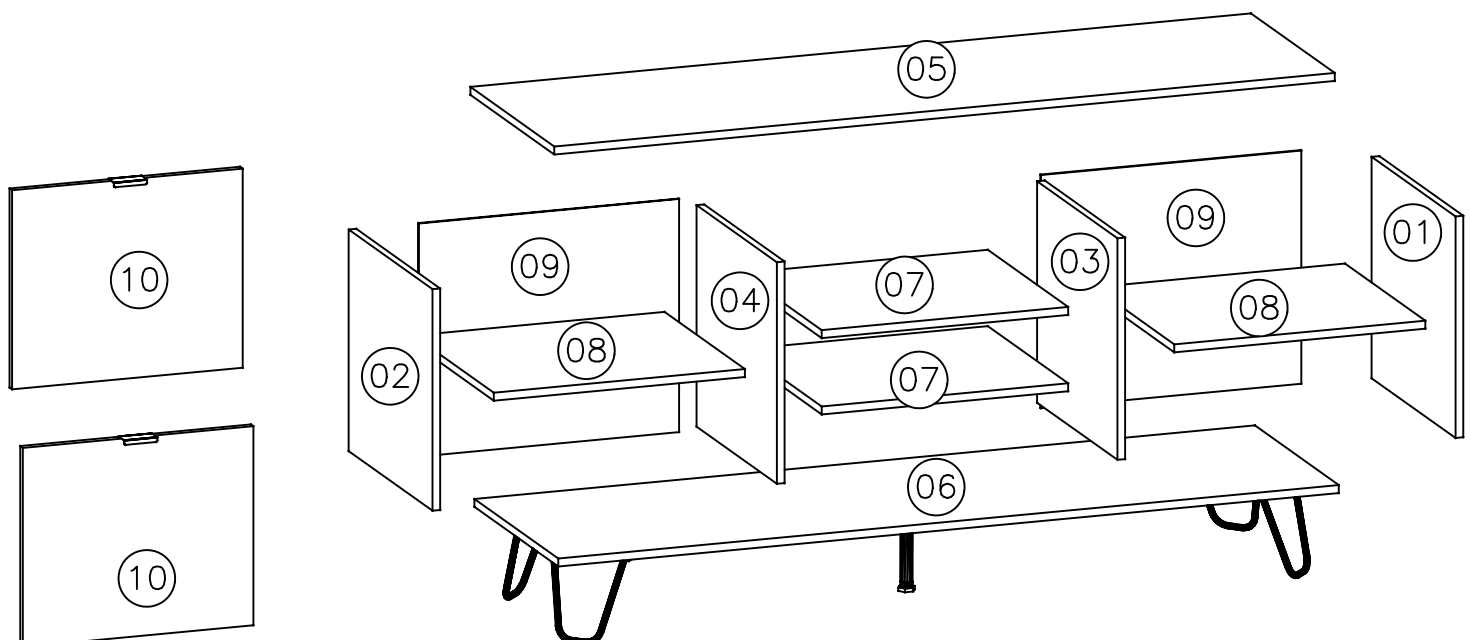
Warning –
CHOKING HAZARD – Small Parts Not for children under 3 years. Adult assembly required.



Although not required, it is recommended that a drill be used to help ease the assembly process, as some holes are not pre-drilled.



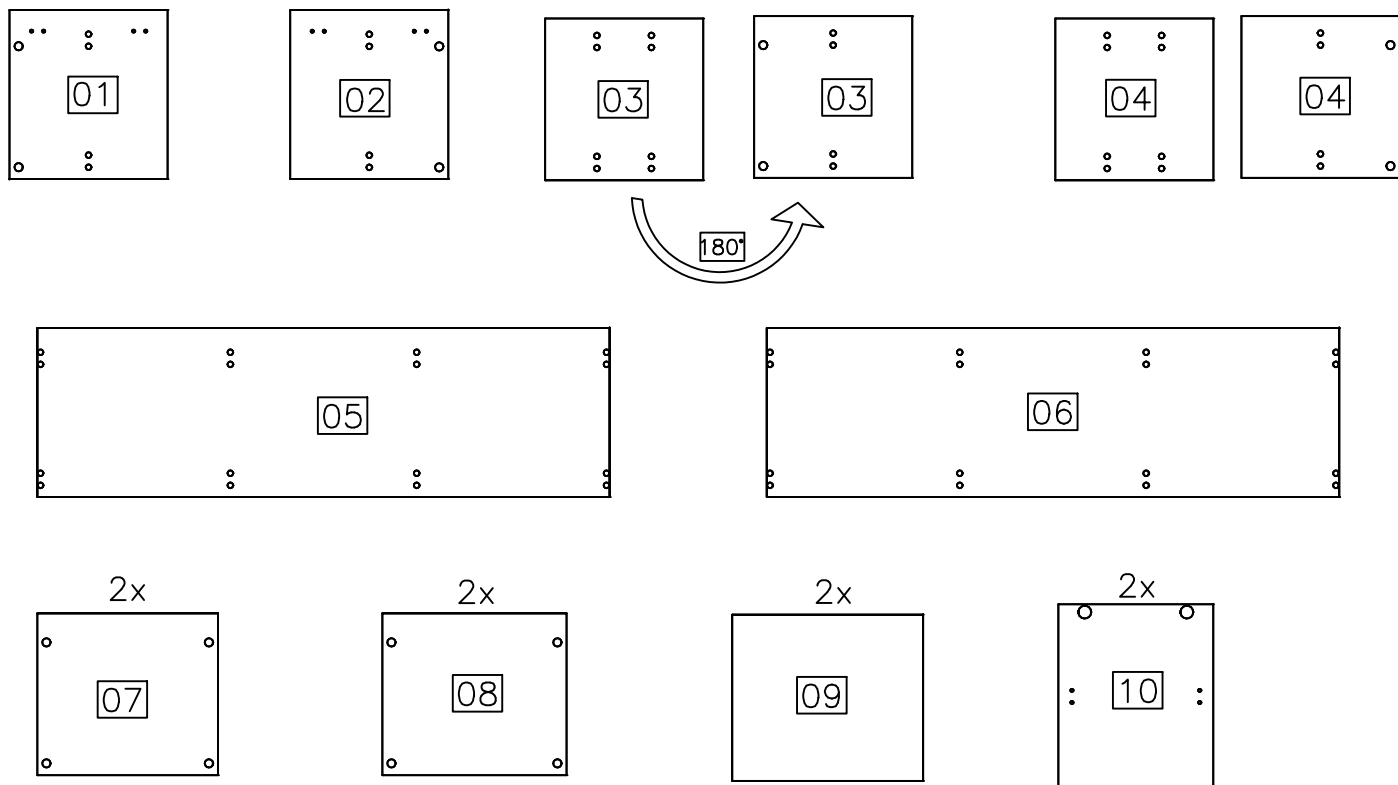
Part Identification



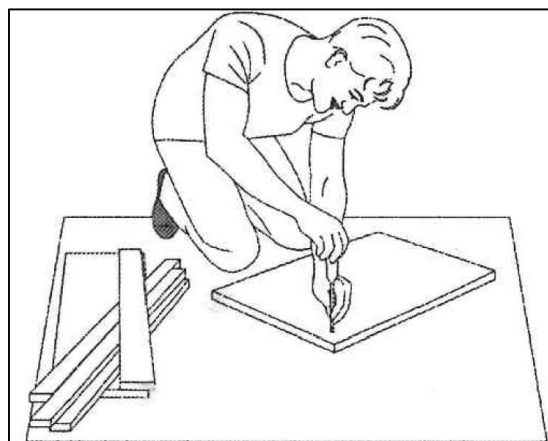
List of pieces

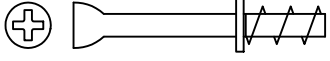
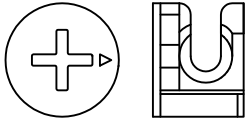
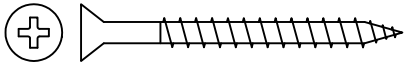
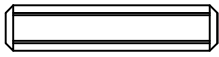

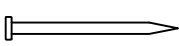
Code	Description	Amount	Length (in.)	Width (in.)	Thickness (in.)	Box
01	Right side	1	16.46"	17.60"	.59"	A
02	Left side	1	16.46"	17.60"	.59"	A
03	Right partition	1	16.46"	16.85"	.59"	A
04	Left partition	1	16.46"	16.85"	.59"	A
05	Top panel	1	59.61"	17.60"	.59"	A
06	Base panel	1	59.61"	17.60"	.59"	A
07	Central shelf	2	18.82"	16.85"	.59"	A
08	Side shelf	2	19.17"	16.85"	.59"	A
09	Back panel	2	19.88"	17.32"	.12"	A
10	Doors	2	19.21"	16.14"	.59"	A

For issues with ASSEMBLY or PARTS please contact CS@k1intlgrp.com or Toll-free 1-877-250-2820.

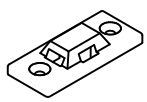

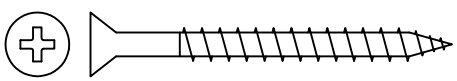
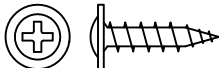
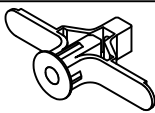


It is recommended the use of the box in which your furniture arrived in, be opened, and laid out on the floor as your work area. This helps prevent an unnecessary damages from occurring.


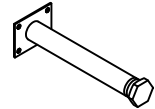
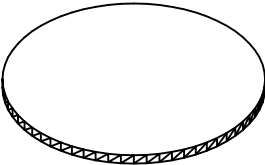
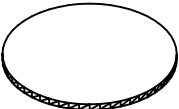
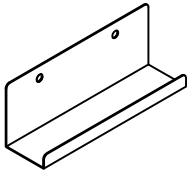
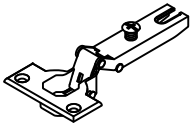

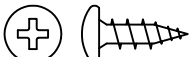


Hardware			
	Code	Description	Amou.
A	30945	 Cam Screws	24
B	30950	 Cam Locks	24
C	226	 Screw 4x40	8
D	1802	 Dowel 6x30mm	32
E	4214	 Screw 3,5x14	4
F	107	 Nail 10x10	38

Anti-tipping installation

G	55606	 Mounting bracket	2
H	55607	 Clamp	1
I	51980	 Screw 4,5x50	2
J	1178	 Parafuso/ Tornillo/ Screw 3,5x16 BC	26
K	32069	 Adapter sleeve	2

NOTTOSCALE

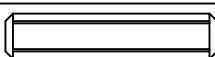
L	EBPR1=55600 (Preto fosco) ITAR1=55599 (Off White)		Metal foot tube	4
M	EBPR1=47696 (Preto fosco) ITAR1=55303 (Off White)		Central foot	1
N	EBPR1=50493 (Ebano Grigio) ITAR1=40392 (Itapuã)		Screw cap cover 19mm	24
O	EBPR1=9399 (Ebano Grigio) ITAR1=40391 (Itapuã)		Screw cap cover 13mm	8
P	EBPR1=39999 (Preto Fosco) ITAR1=54043 (Off White)		Handle 70mm	2
Q	5123		Hinge 35mm	4
R	5123		Shim	4
S	5123		Hinge screw 4,0x14	16

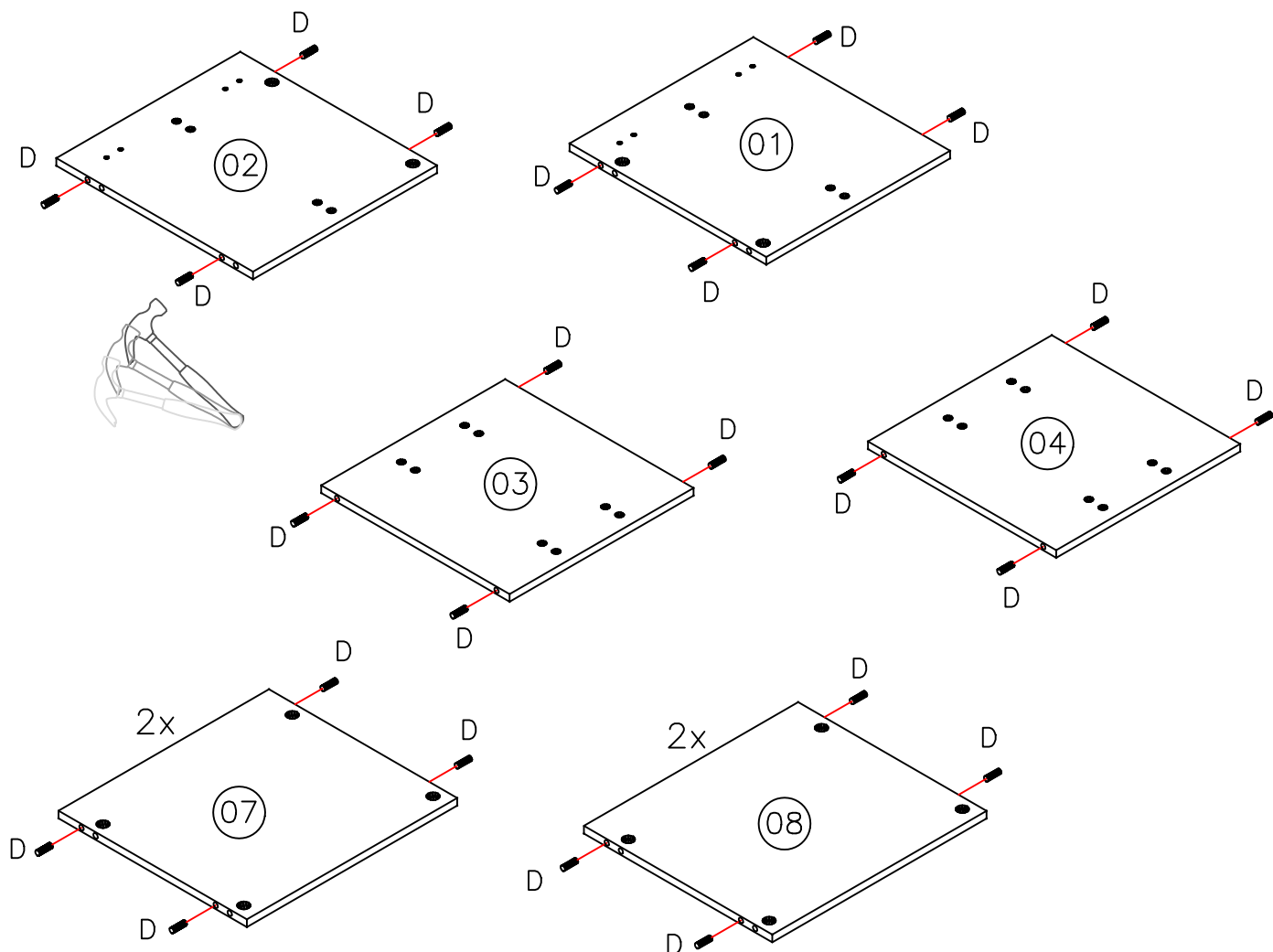
01 Saco médio para acessórios (Internal production data)
01 Saco pequeno para puxadores (Internal production data)



1



Preassembly of parts

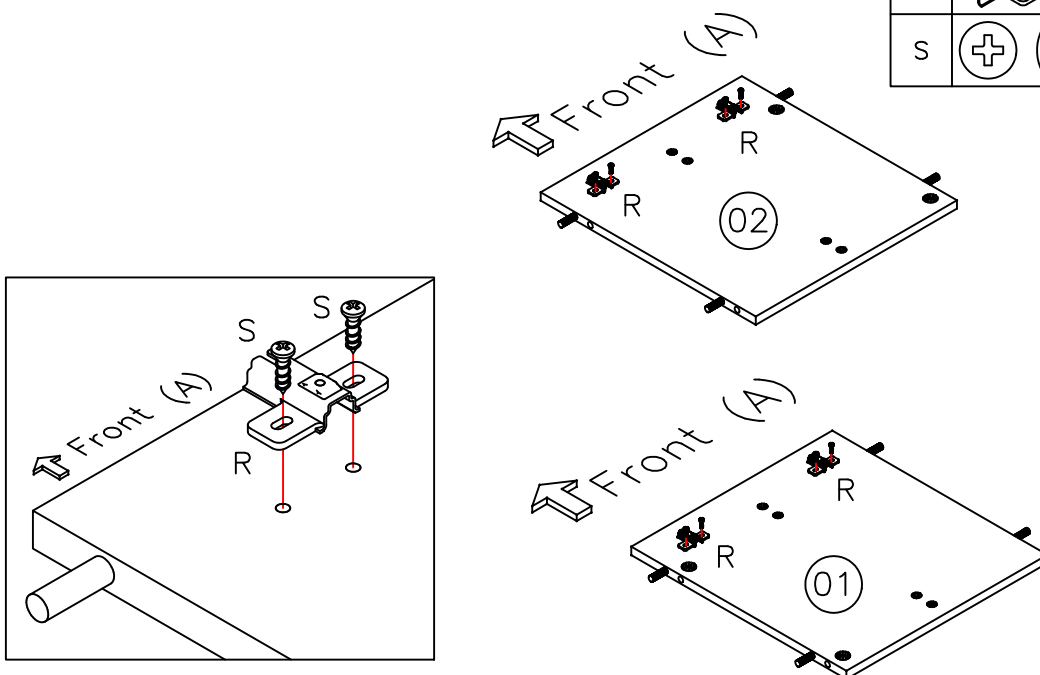
D		32
---	---	----



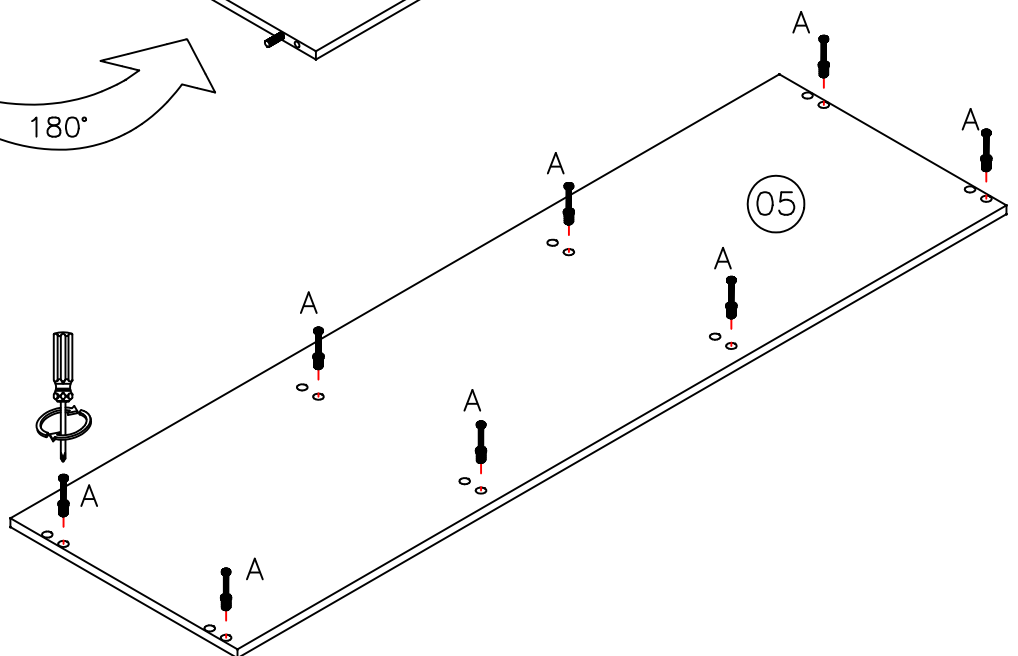
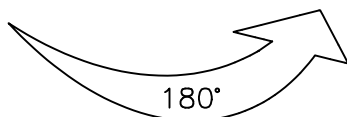
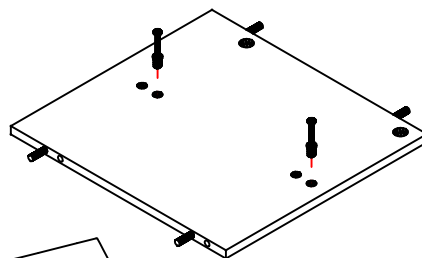
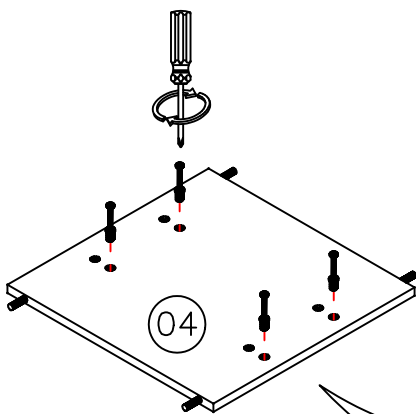
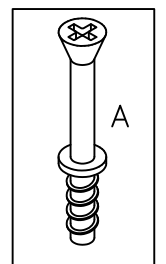
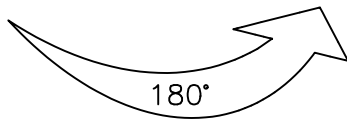
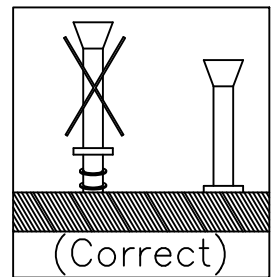
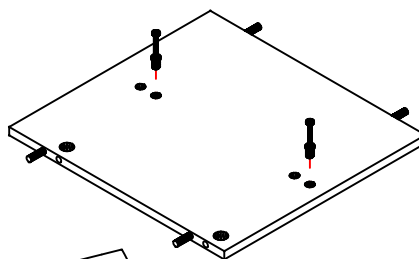
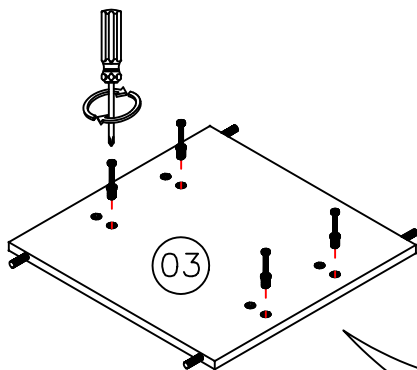
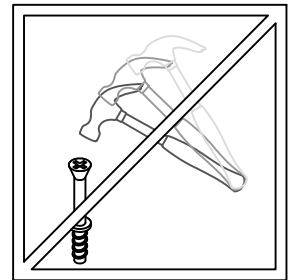
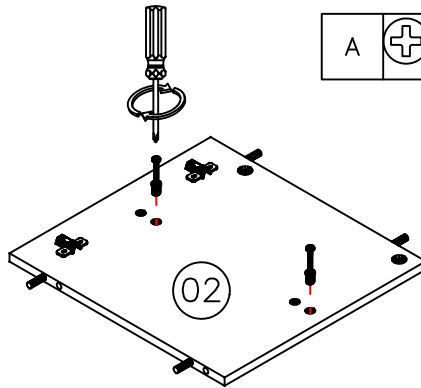
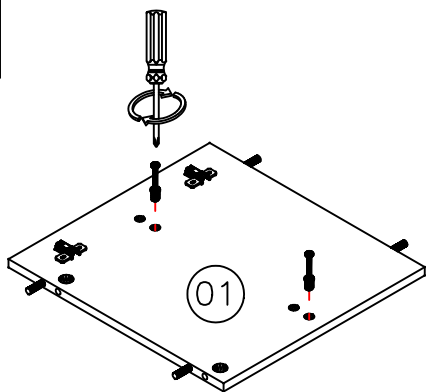
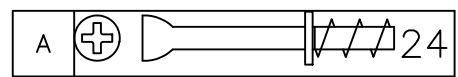
2

This process is repeated twice times

R		4
S		8

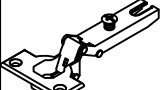
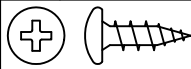


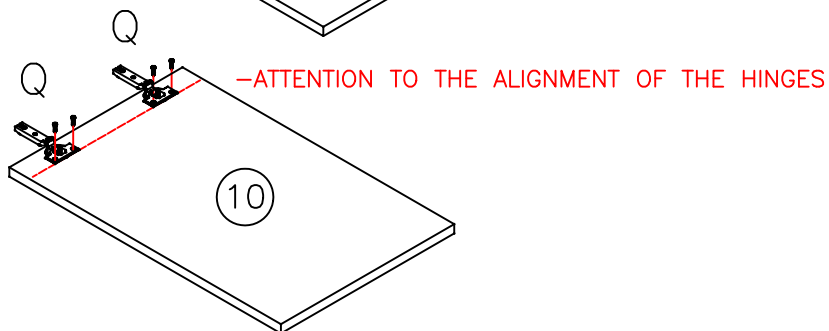
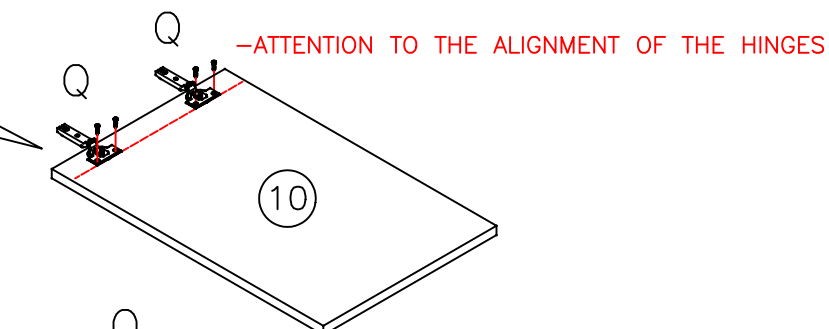
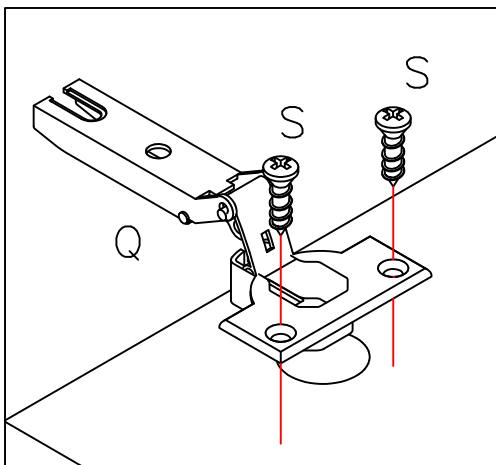
3



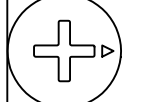
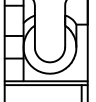

5

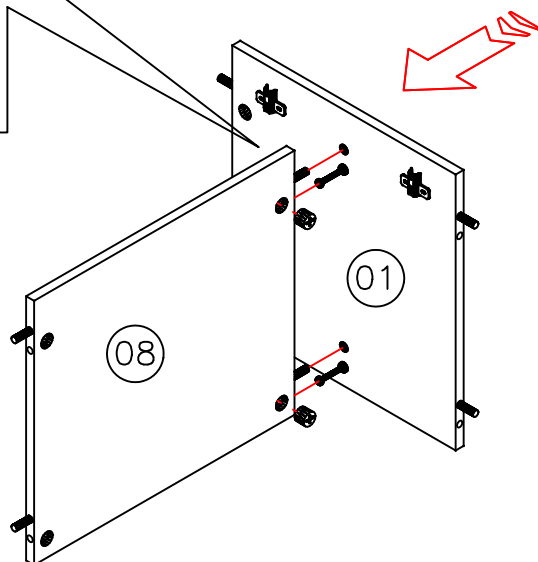
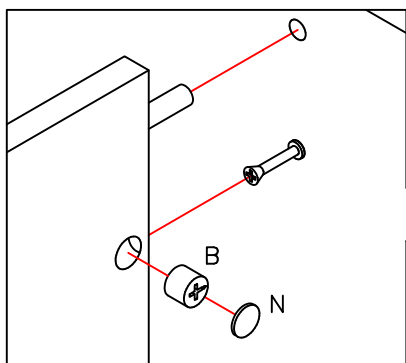
This process is repeated twice times

Q		4
S		8

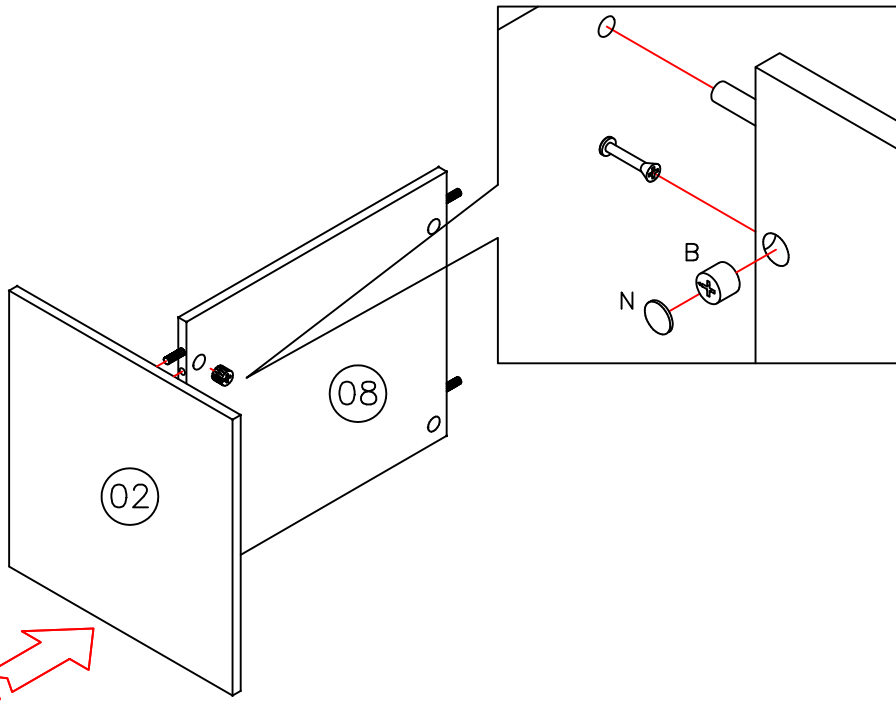


4

B			2
N			2

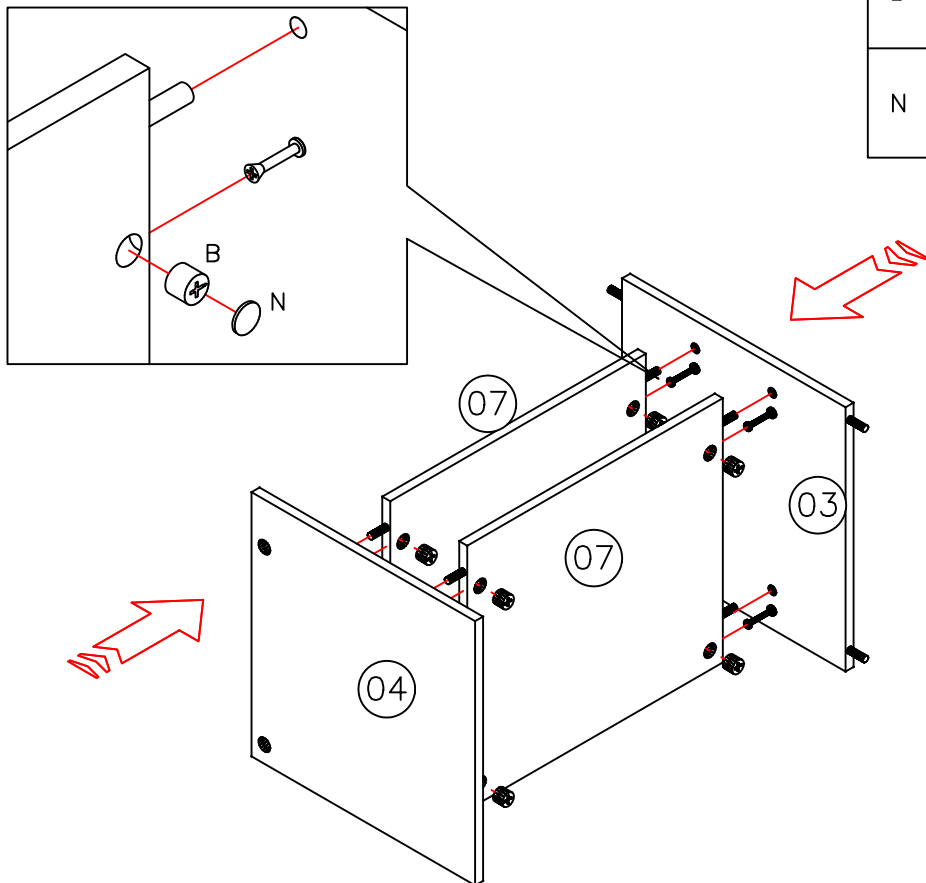


6



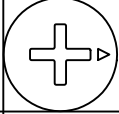
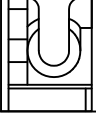
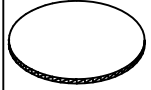
B			2
N			2

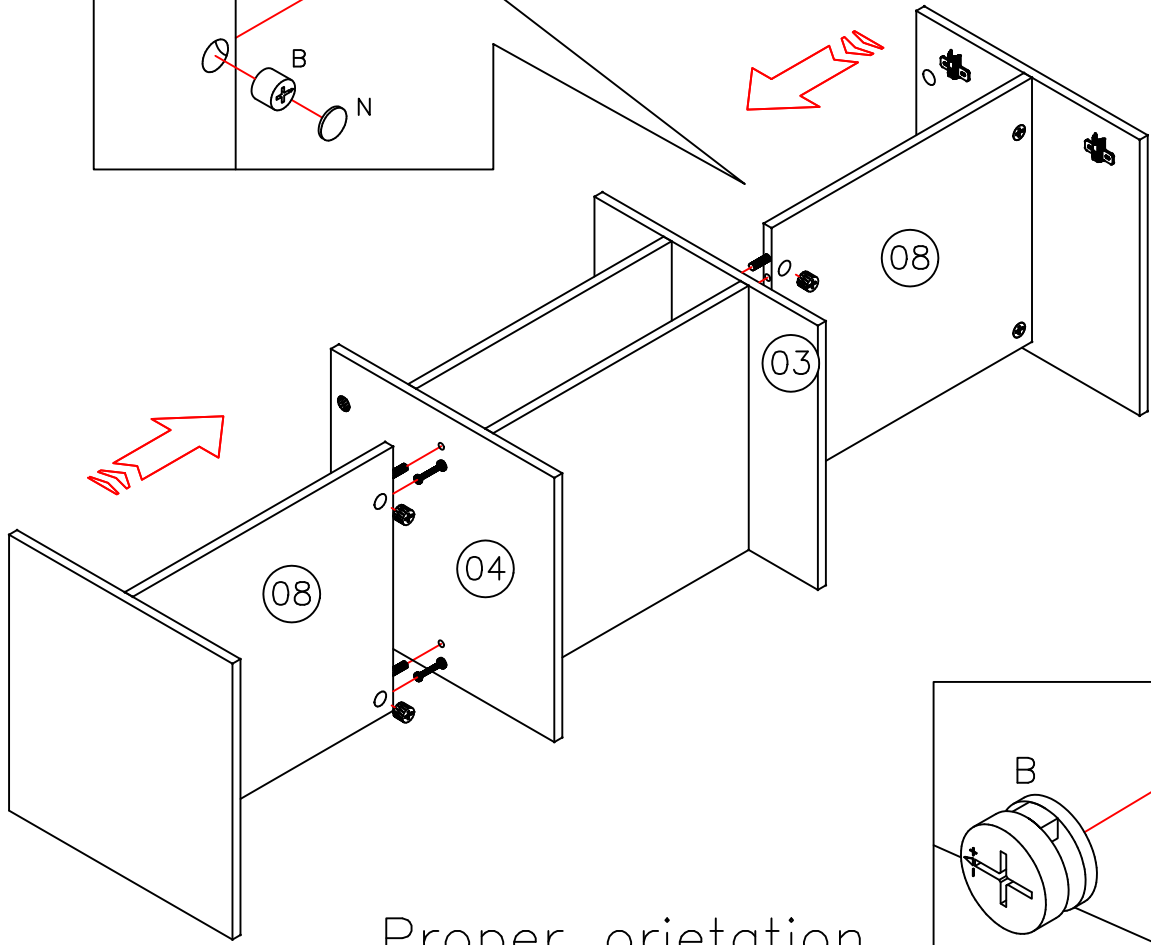
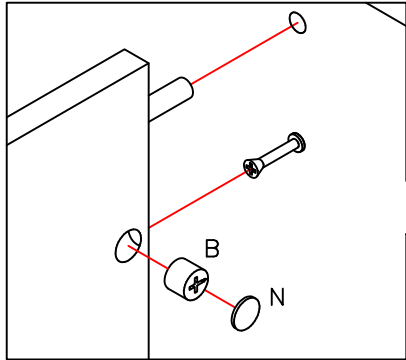
4



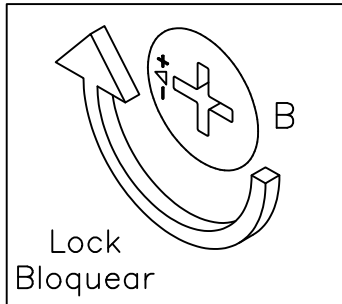
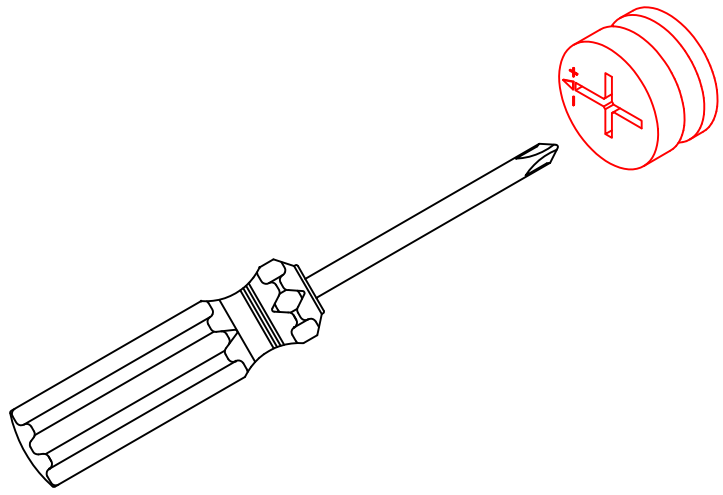
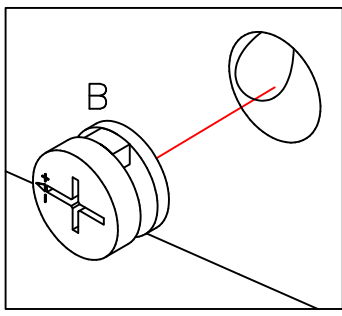
B			8
N			8

7

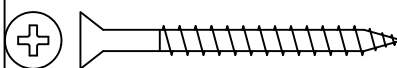

B			4
N			4

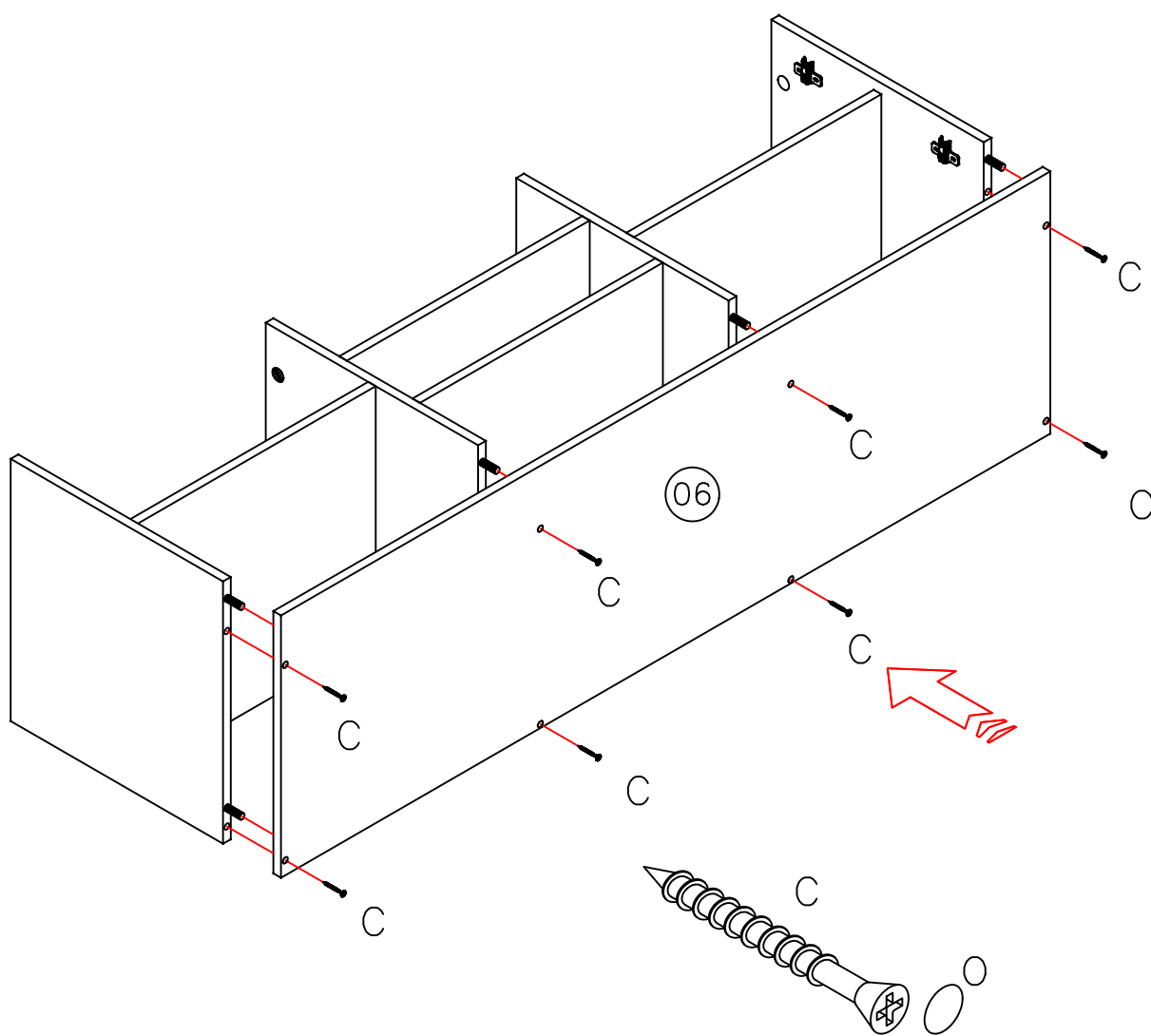


Proper orietation




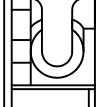

8

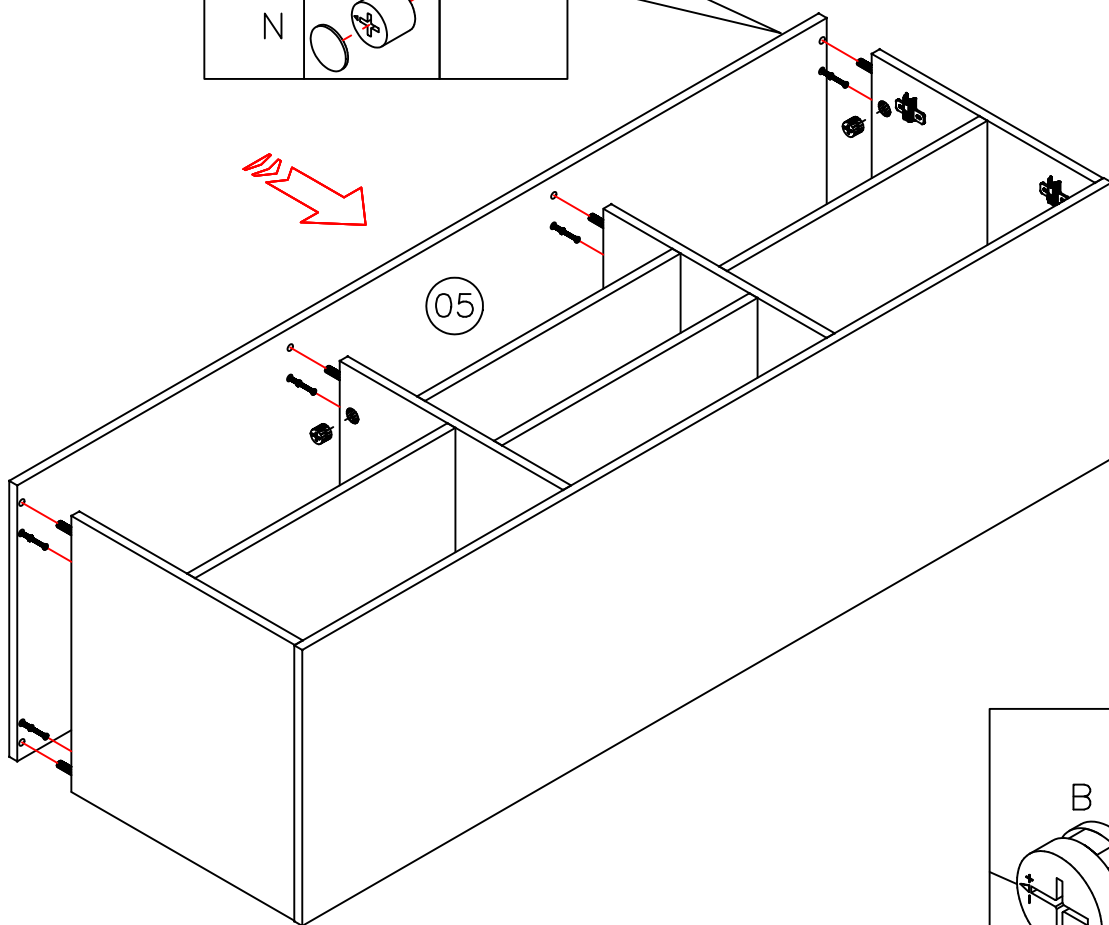
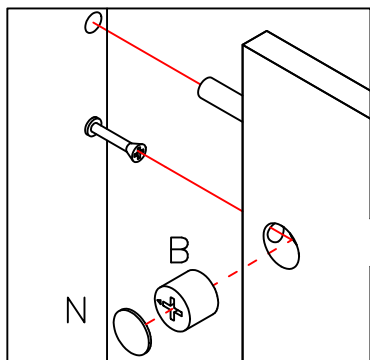
c		8
o		8



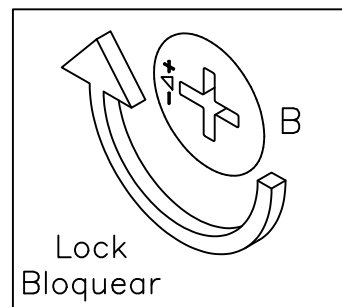
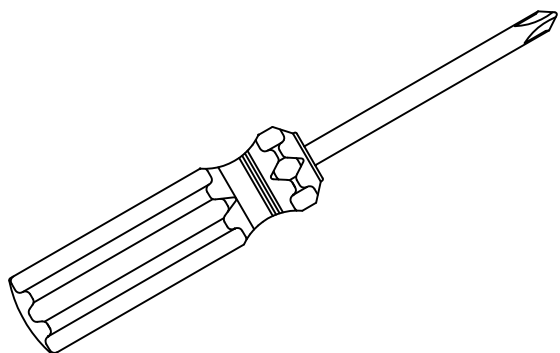
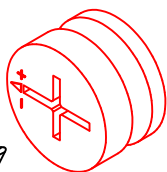
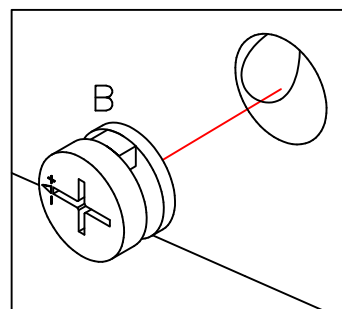
Proper orietation

9




B			8
N			8

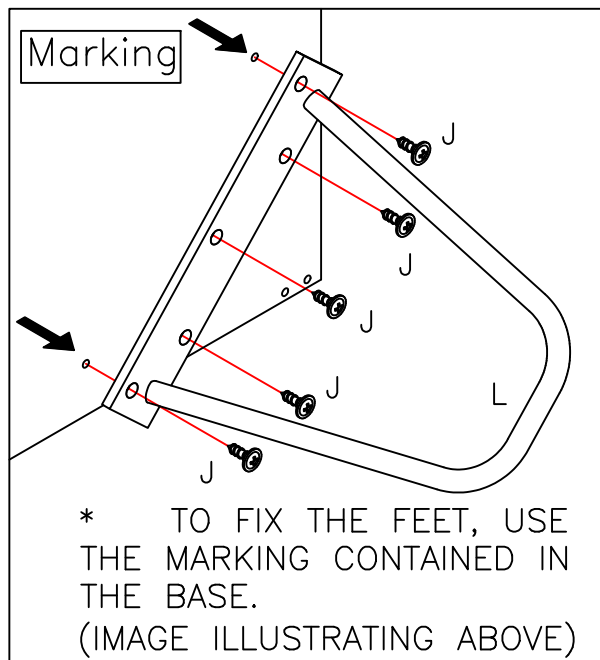
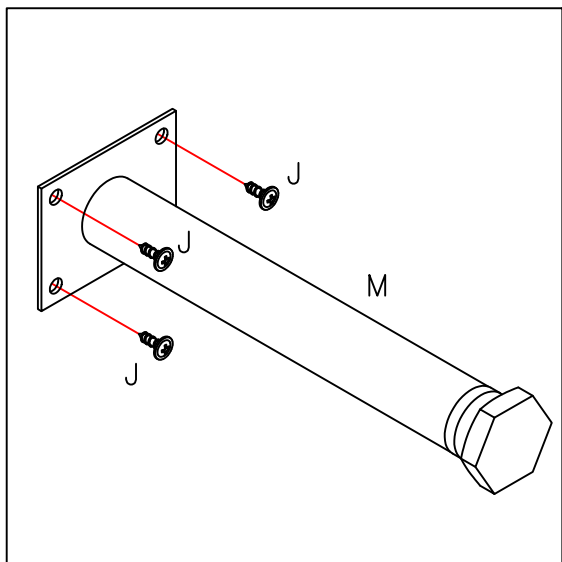
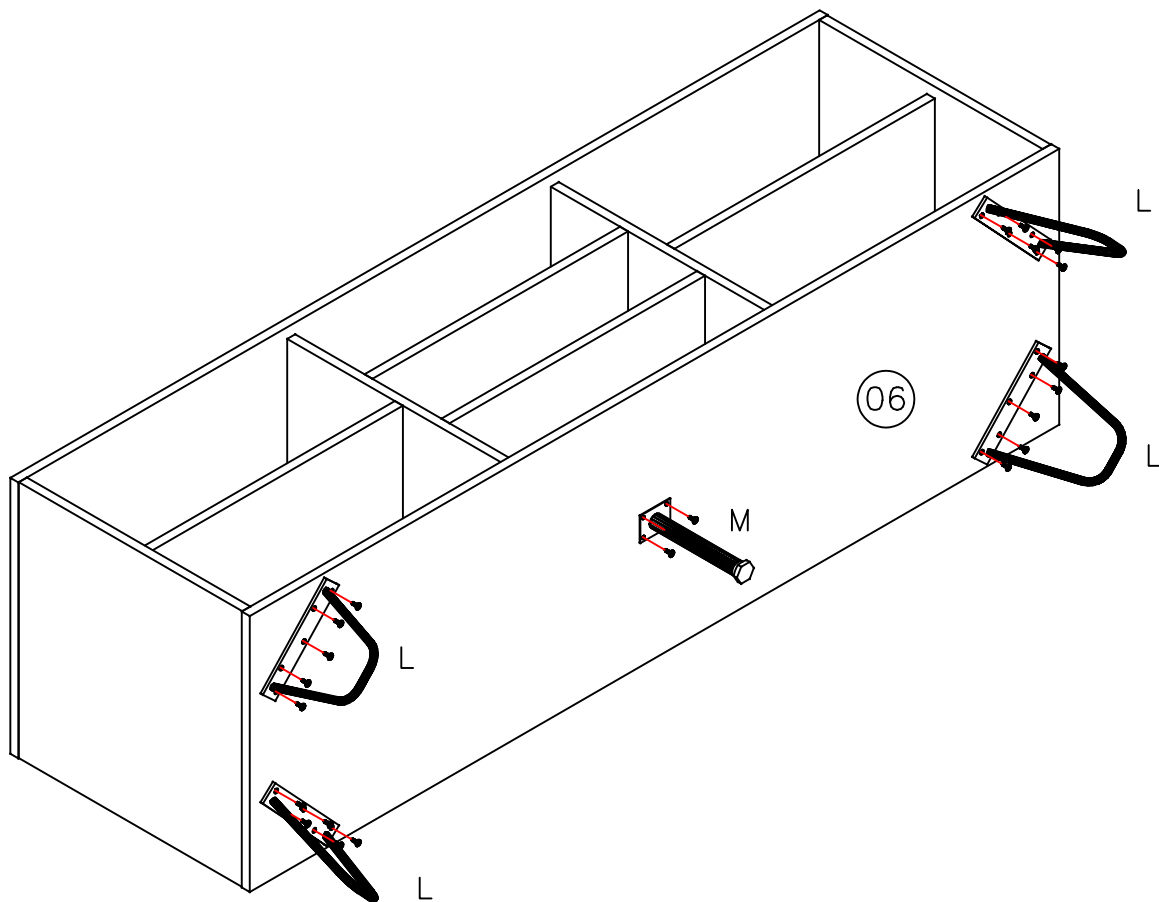


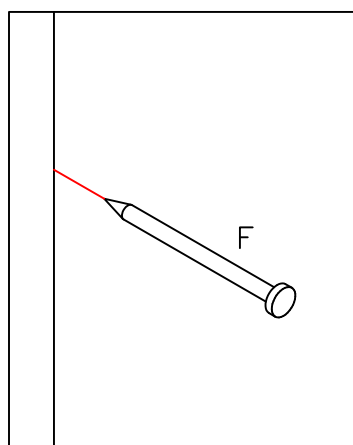
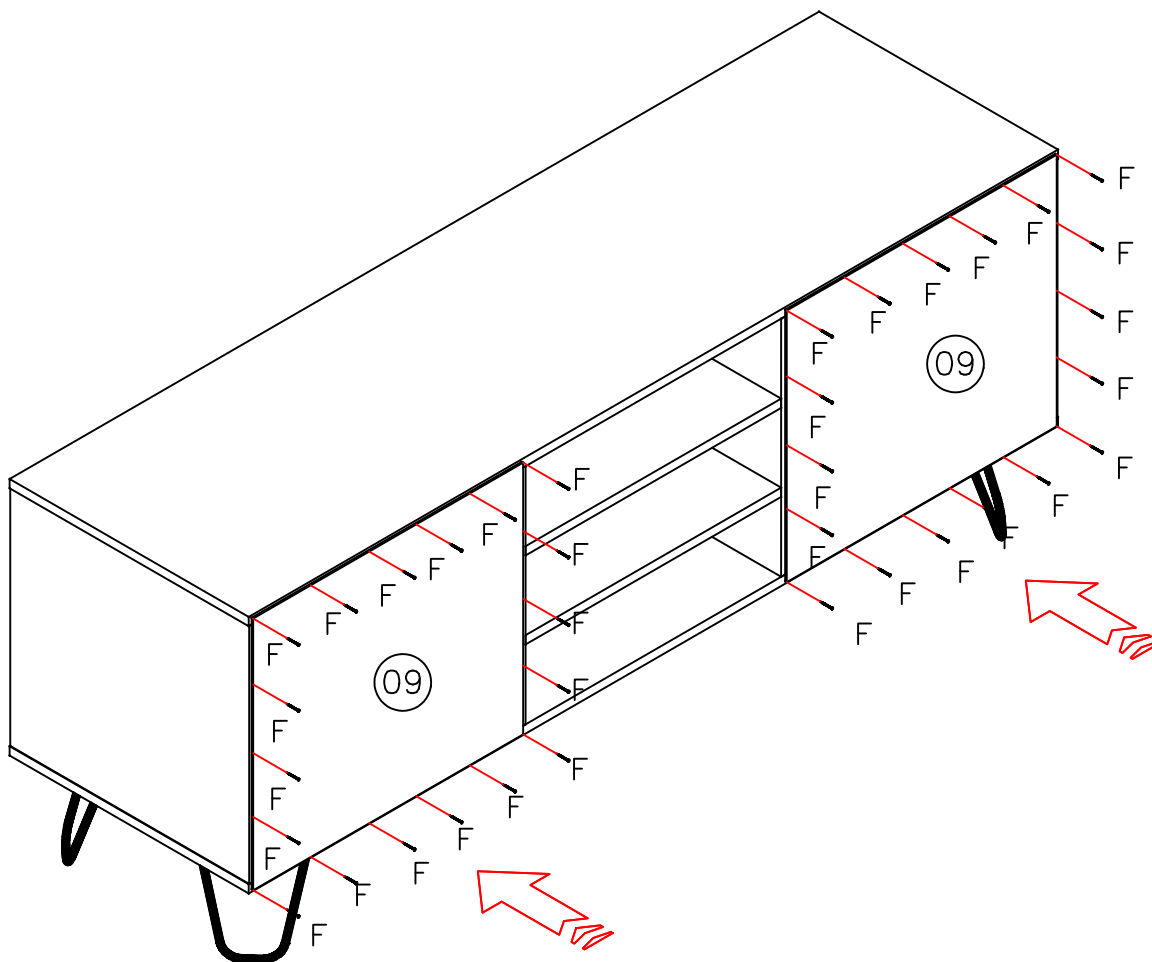
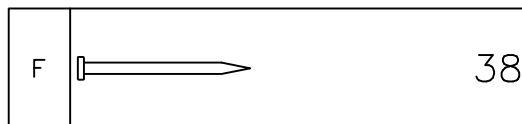
Proper orietation


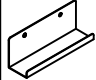


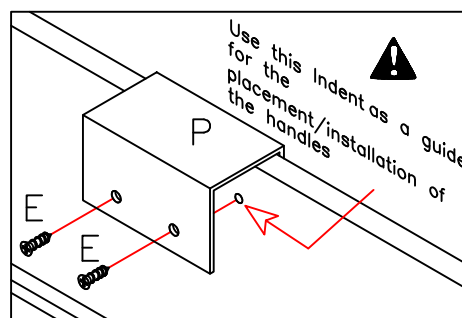
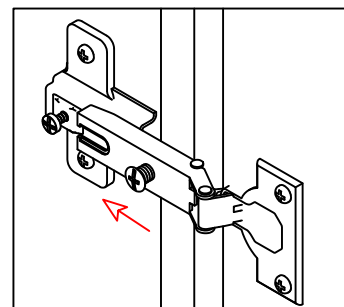
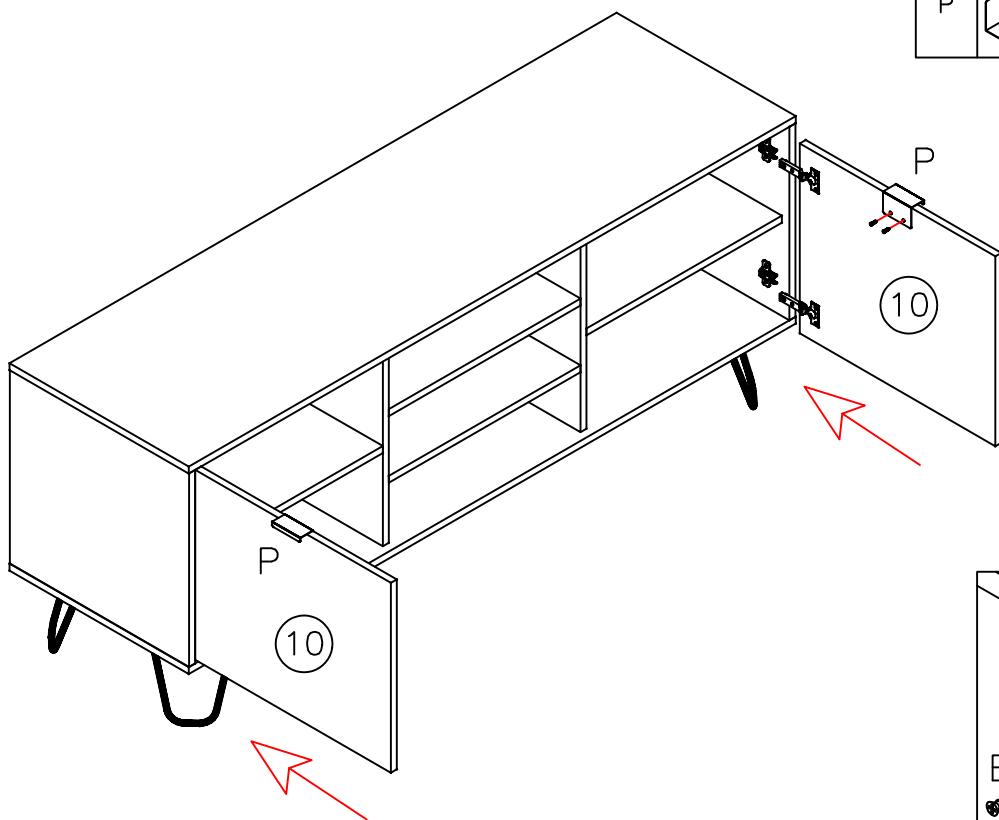
10

J		24
L		4
M		1

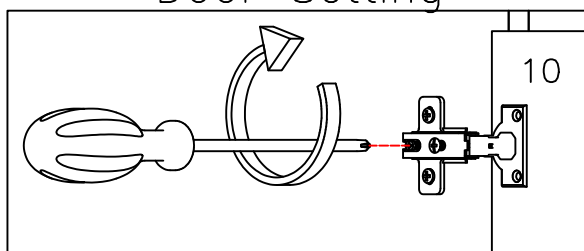




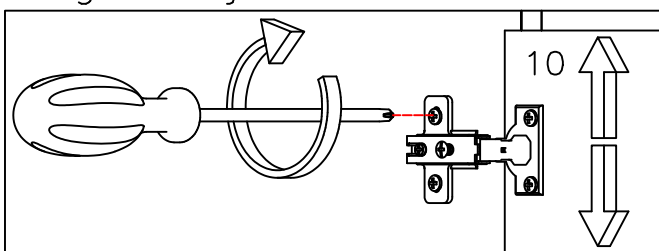
E		4
P		2



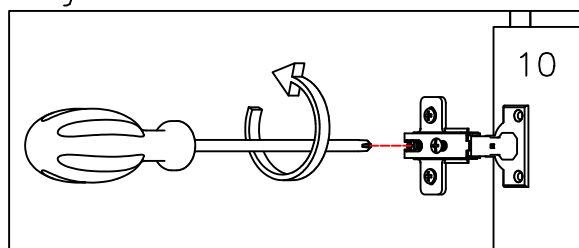
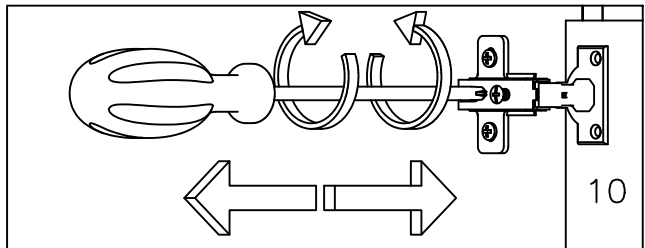
Door Setting



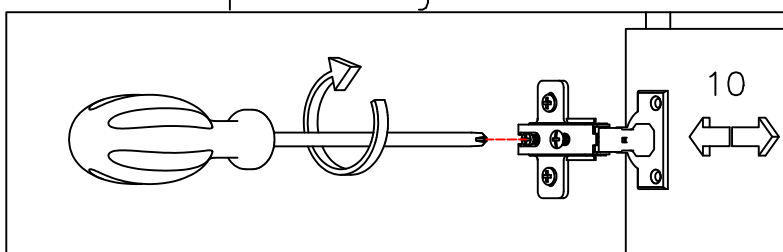
Height Adjustment



Internal Adjustment

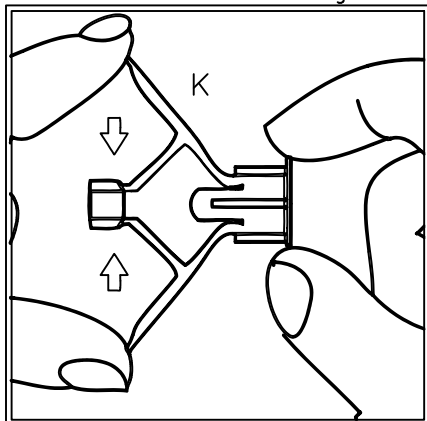


Depth Adjustment

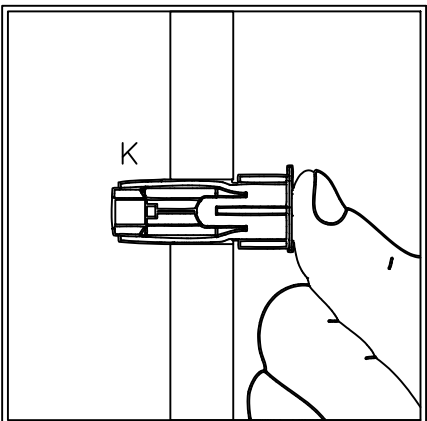


NOTE: Do not turn the DRYWALL ANCHOR into a wall stud. If you prefer to fasten the SAFETY ANTI-TIPPING to a wall stud, go to your local hardware store for proper hardware.

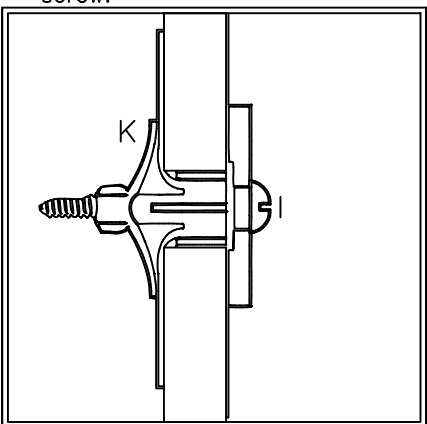
Compress the wings of anchor before inserting.



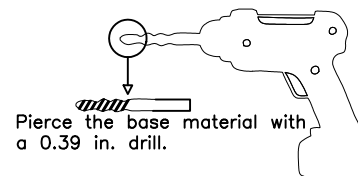
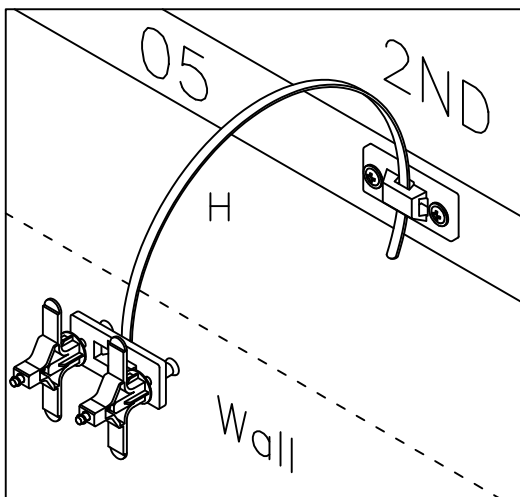
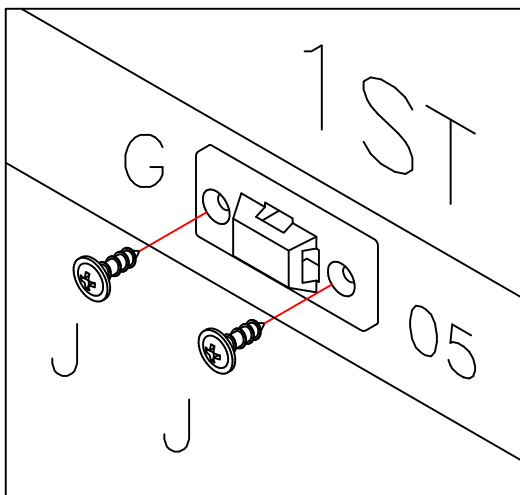
Insert the chuck into the hole of the base material.



Position the object over the bushing and secure it with a screw.



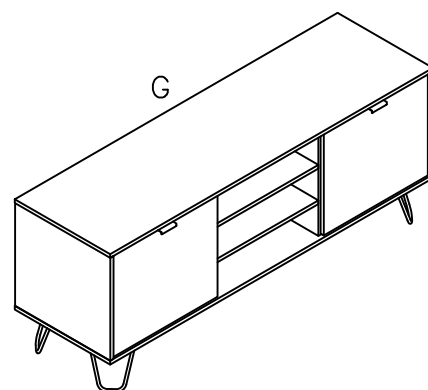
Anti-tipping installation			
G		Mounting bracket	2
H		Clamp	1
I		Screw 4,5x50	2
J		Screw 3,5x16 BC	2
K		Anchor	2



Pierce the base material with a 0.39 in. drill.

Important

- The minimum length of the screw must be the bushing length + object thickness that will be fixed.
- To guarantee the wing expansion function of the bushing, after the screw head is at the object to be fixed, one must continue to rotate the screw until maximum torque is reached.



A WARNING - Anti-Tip Advisory

Potential of serious fatal crushing injuries may occur from furniture tip-over. To help prevent tip-over:

ALWAYS INSTALL the tip-over restrain that came with your furniture. This tip-over restrains only reduces but does NOT completely eliminate the risk of tip-over

- ALWAYS Place the heaviest items in the lowest/bottom drawer.
- NEVER place TV's or other heavy objects on top of this product.
- NEVER allow children to scale/climb/hang on the drawers, doors, or shelves.
- NEVER open more than one drawer at a time.

B ADVERTENCIA - Aviso antivuelco

Pueden producirse lesiones graves por aplastamiento mortales debido al vuelco de los muebles. Para ayudar a prevenir vuelcos:

- SIEMPRE INSTALE el sistema de retención que viene con sus muebles. Este sistema antivuelco solo reduce pero NO elimina por completo el riesgo de vuelco.
- SIEMPRE coloque los artículos más pesados en el cajón más bajo /inferior.
- NUNCA coloque televisores u otros objetos pesados encima de este producto.
- NUNCA permita que los niños escalen, trepen o se cuelguen de los cajones, puertas o estantes.
- NUNCA abra más de un cajón a la vez