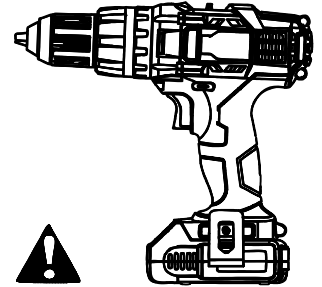
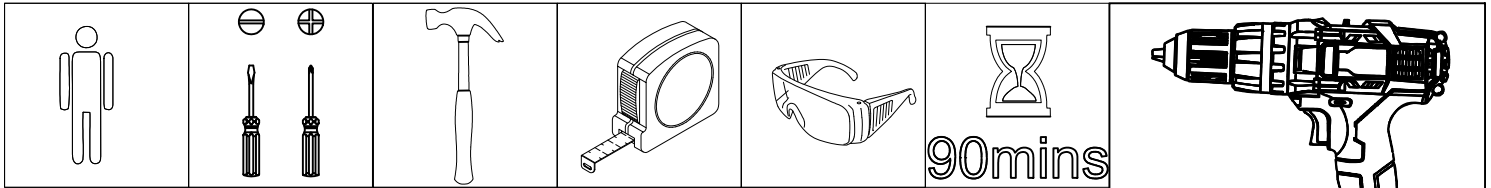


ASSEMBLY INSTRUCTIONS

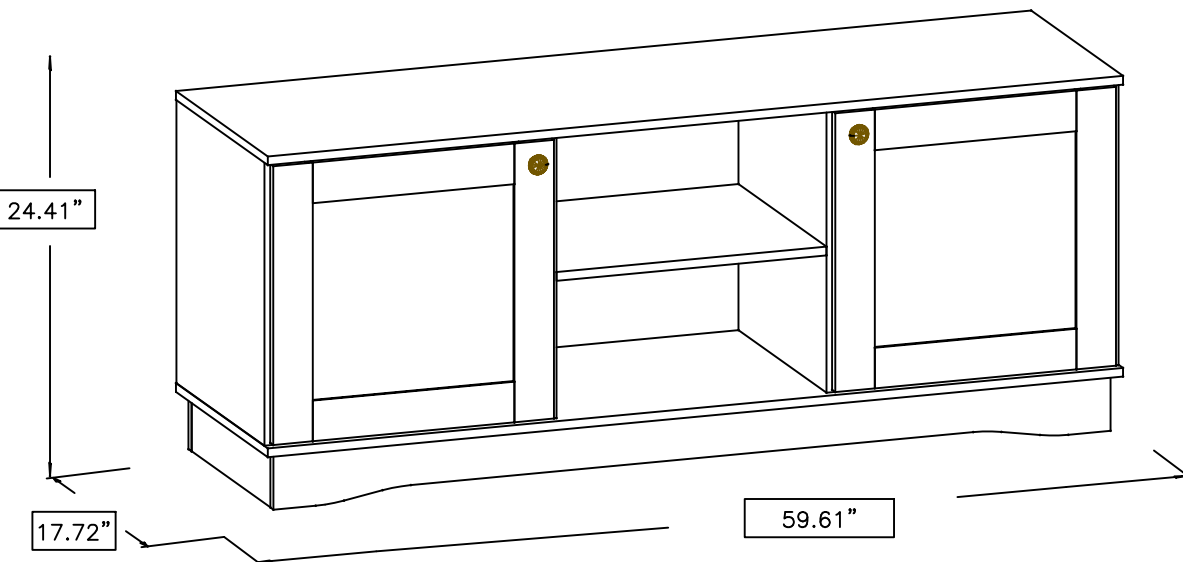
01/15
EU015



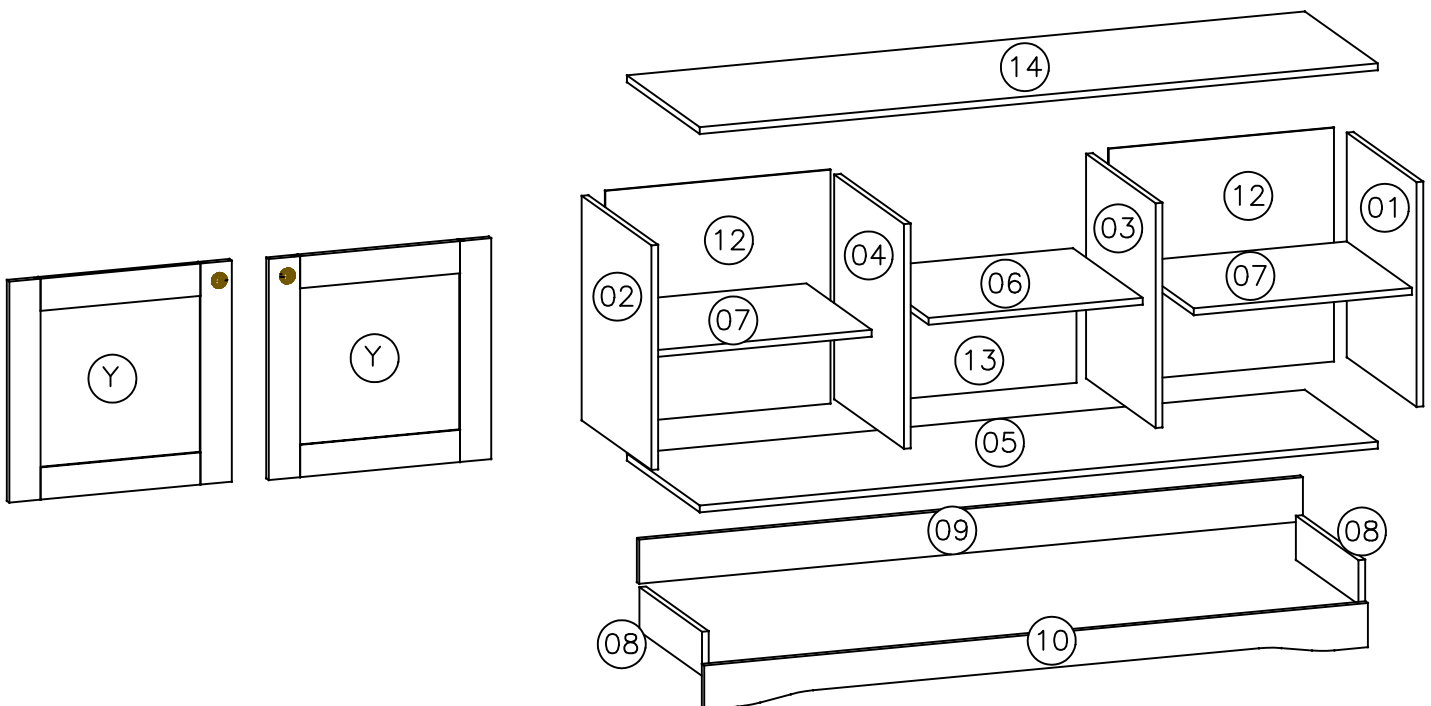
Warning –
CHOKING HAZARD – Small Parts Not for children under 3 years. Adult assembly required.



Although not required, it is recommended that a drill be used to help ease the assembly process, as some holes are not pre-drilled.



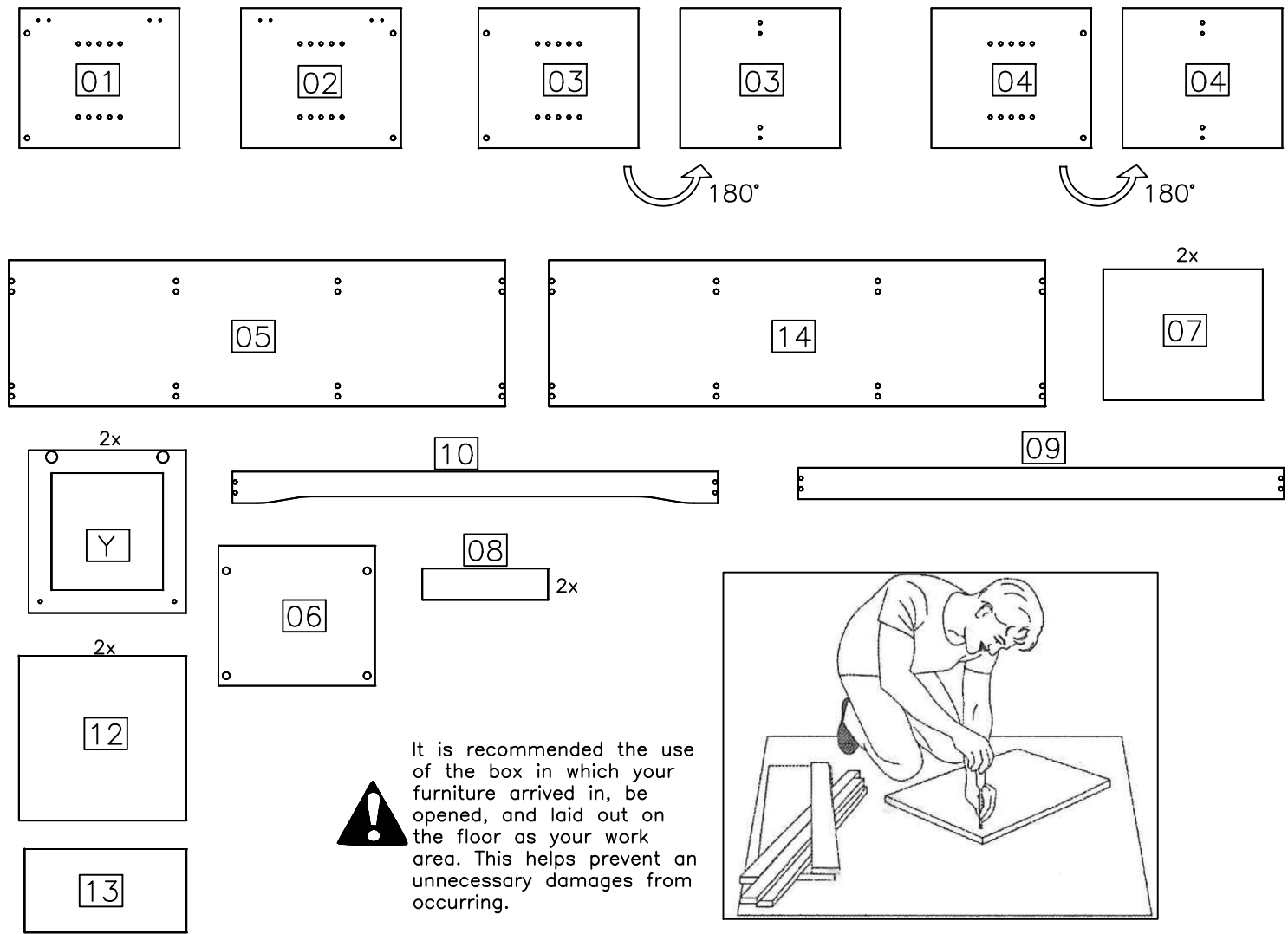
Part Identification




List of pieces

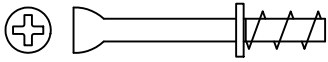
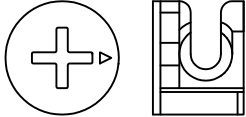
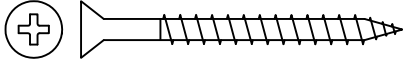

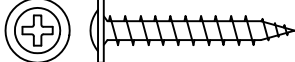

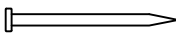
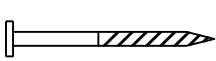
Code	Description	Amount	Length (in.)	Width (in.)	Thickness (in.)	Box
01	Right side	1	19.21"	16.85"	.59"	A
02	Left side	1	19.21"	16.85"	.59"	A
03	Right partition	1	19.21"	16.85"	.59"	A
04	Left partition	1	19.21"	16.85"	.59"	A
05	Base panel	1	59.61"	17.60"	.59"	A
06	Shelf larger	1	18.82"	16.85"	.59"	A
07	Smaller shelf	2	19.17"	15.75"	.59"	A
08	Small baseboard	2	15.12"	3.78"	.59"	A
09	Back baseboard	1	58.35"	3.78"	.59"	A
10	Frontal baseboard	1	58.35"	3.78"	.59"	A
12	Larger rear panel	2	20.08"	19.80"	.12"	A
13	Smaller back panel	1	19.45"	10.04"	.12"	A
14	Top panel	1	59.61"	17.60"	.59"	A

Prior to assembly, please ensure that all the Panels listed below are complete. If any pieces are missing or damages, please contact us directly at our Email CS@K1intlgrp.com or Toll-free 1-877-250-2820

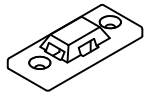

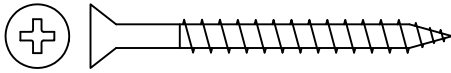

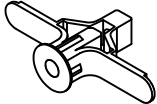


 It is recommended the use of the box in which your furniture arrived in, be opened, and laid out on the floor as your work area. This helps prevent an unnecessary damages from occurring.

TOTSCALE

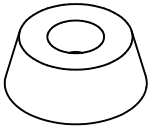
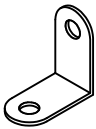
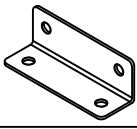
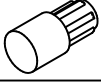

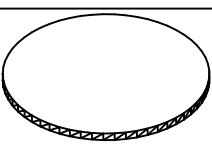
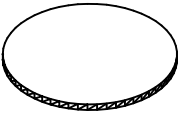
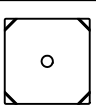
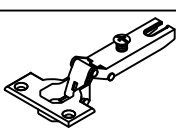
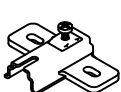
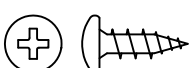
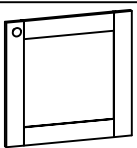
Hardware			
	Code	Description	Amou.
A	30945	 Cam Screws	12
B	30950	 Cam Locks	12
C	226	 Screw 4x40	8
D	1802	 Dowel 6x30mm	32
E	14773	 Screw 3,5x25	2
F	4214	 Screw 3,5x14	28
G	107	 Nail 10x10	50
H	108	 Nail 12x12	4

Anti-tipping installation

I	55606	 Mounting bracket	2
J	55607	 Clamp	1
K	51980	 Screw 4,5x50	2
L	1178	 Parafuso/ Tornillo/ Screw 3,5x16 BC	2
M	32069	 Adapter sleeve	2



N
O
T
O
T
O
S
C
A
L
E

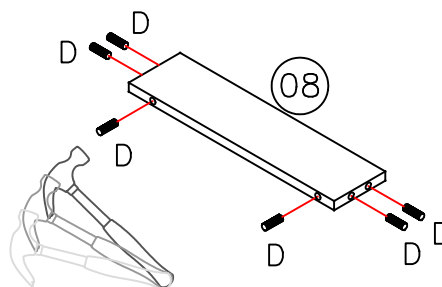
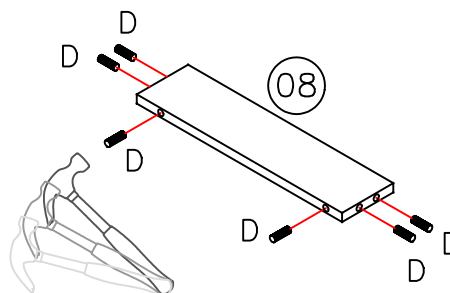
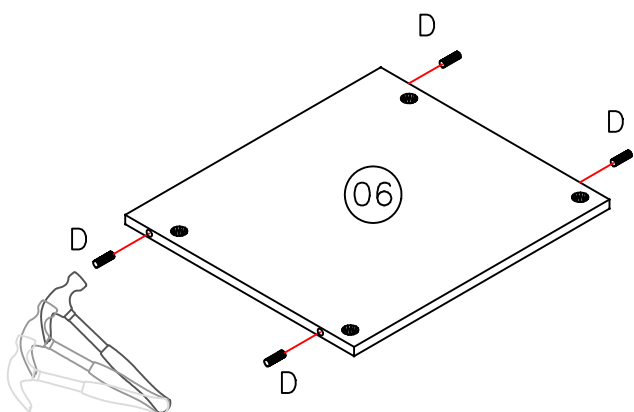
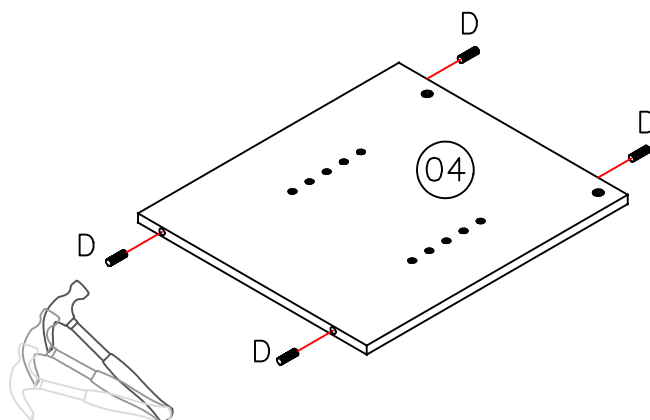
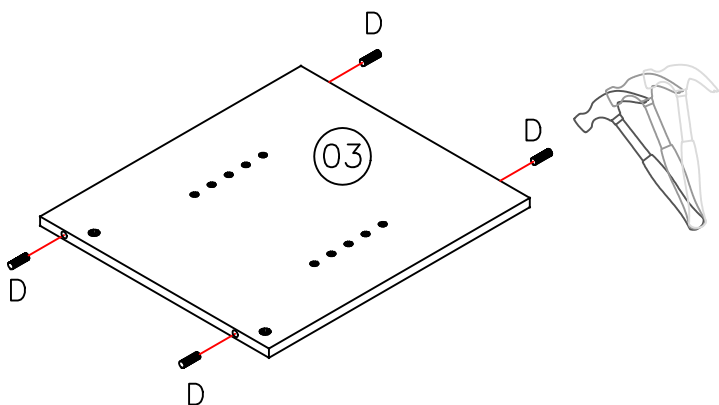
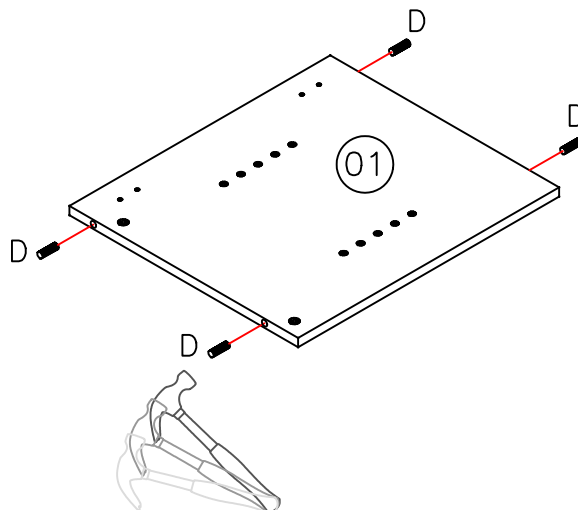
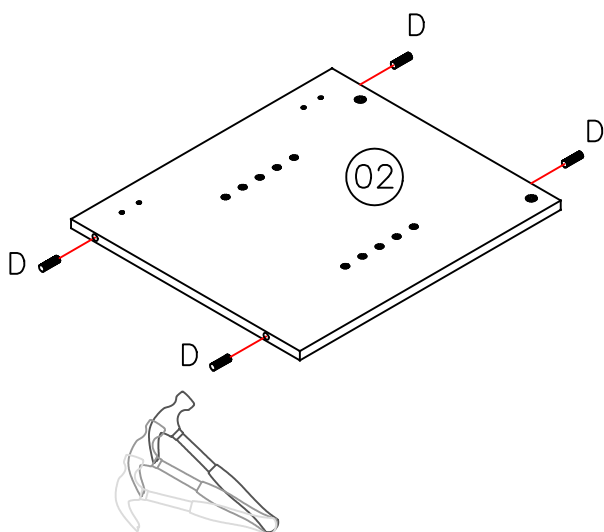
N	1901		Shoe black	4
O	85		Metal angle bracket "L"	6
P	899		Metal angle bracket	4
Q	118		Shelf bracket 8x6mm	8
R	52801 (Champagne)		Handle	2
S	BRLA1=44156 (Branco k1)		Screw cap cover 19mm	12
T	BRLA1=44157 (Branco k1)		Screw cap cover 13mm	8
U	1423		Shore Fixer	6
V	47		Hinge 35mm	4
W	47		Shim	4
X	47		Hinge screw 4,0x14	16
Y	BRLA1=57008		Door 480x497x18mm	2

01 Saco médio para acessórios (Internal production data)
01 Saco pequeno para puxador (Internal production data)





1

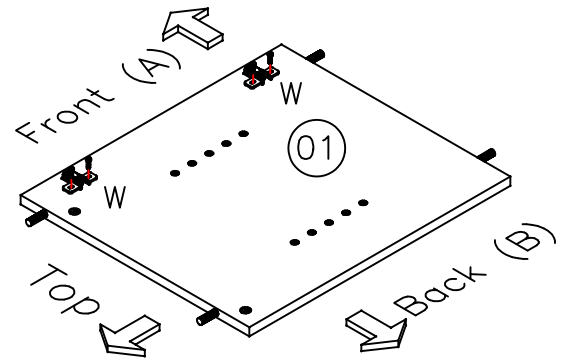
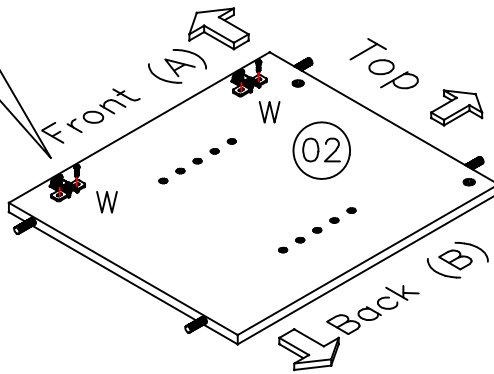
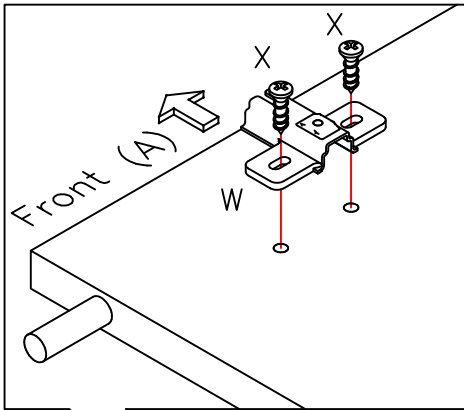
Preassembly of parts




2

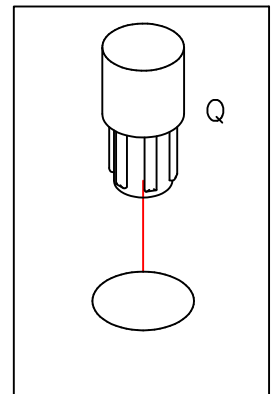
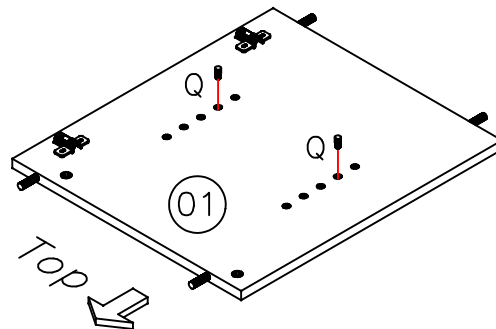
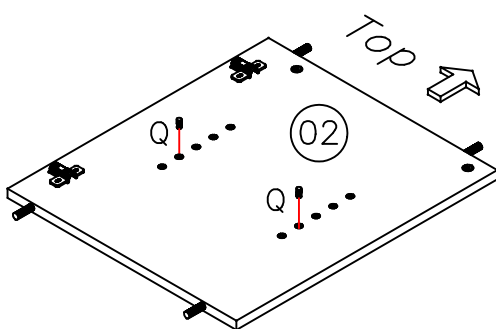
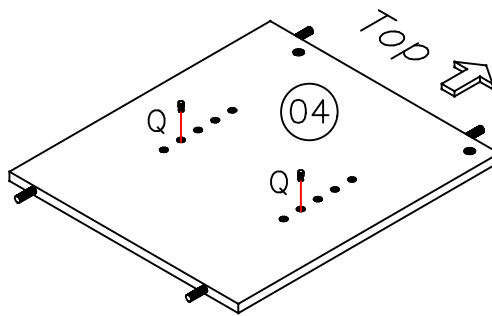
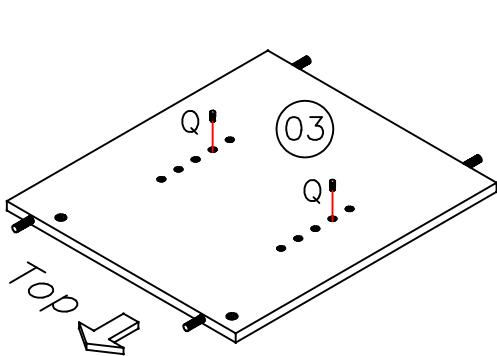
Preassembly of parts

W		4
X		8



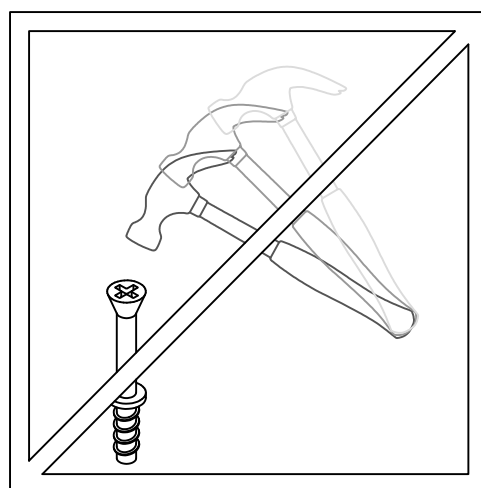
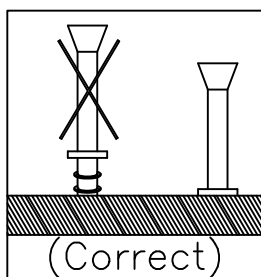
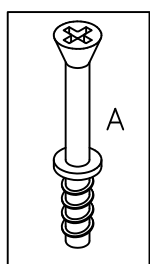
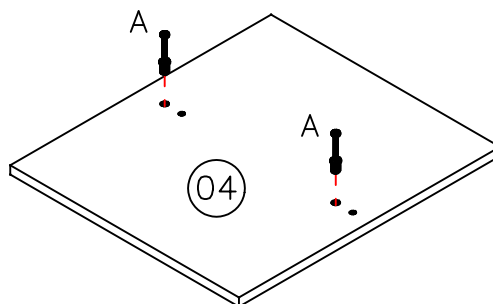
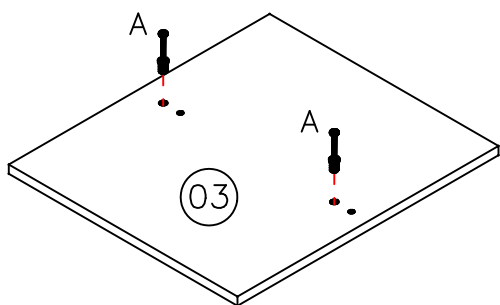
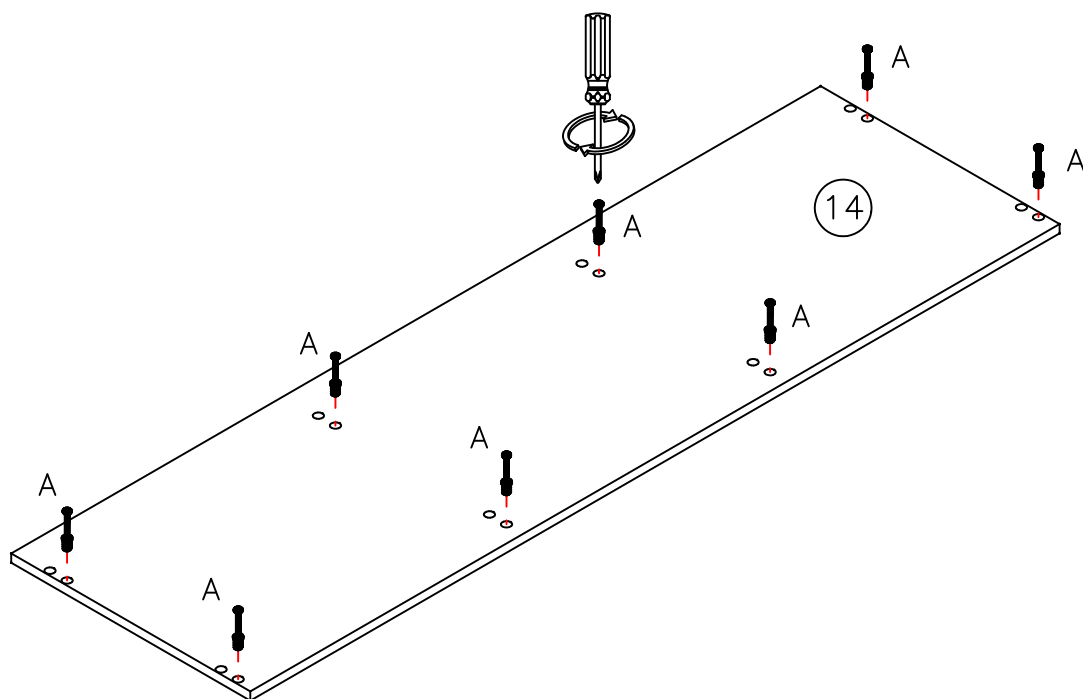
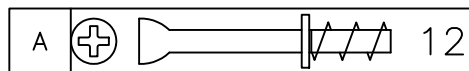
3

Q		8
---	---	---

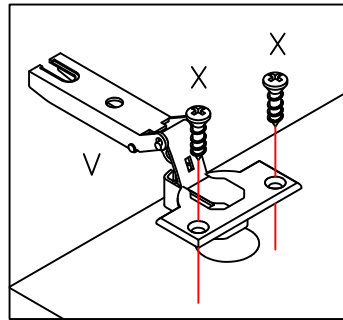


4

Preassembly of parts

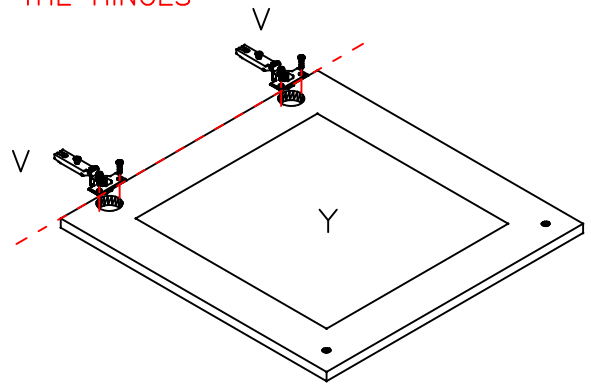
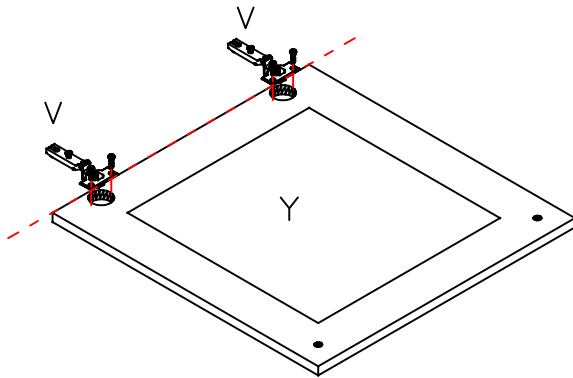


5



V		4
X		8
Y		2

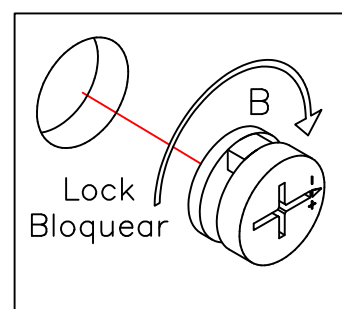
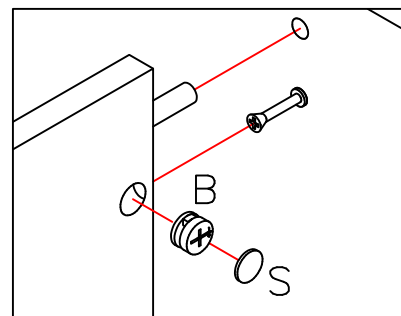
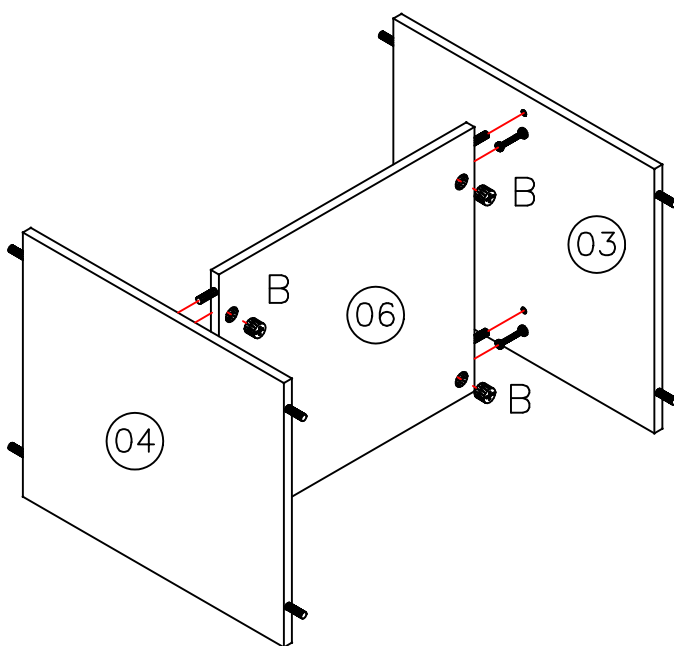
-ATTENTION TO THE ALIGNMENT OF THE HINGES



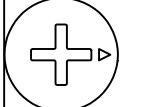
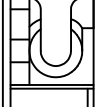
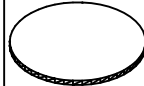
6

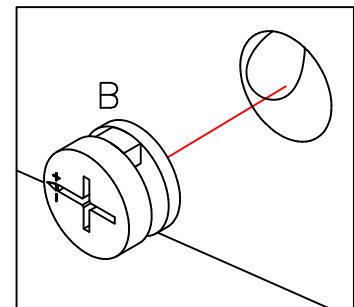
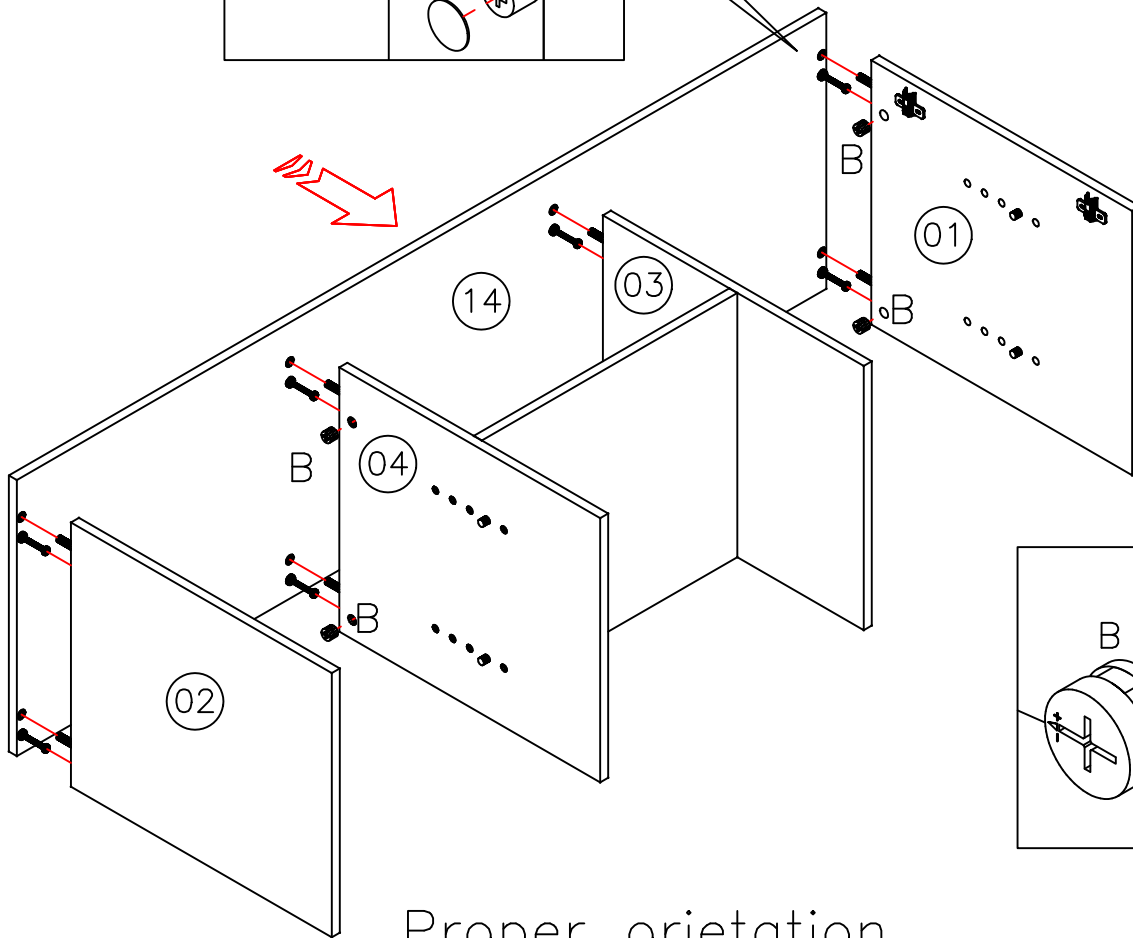
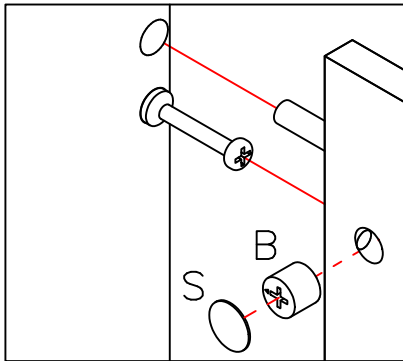
Product Assembly

B			4
S			4

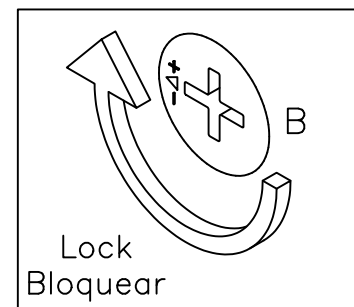
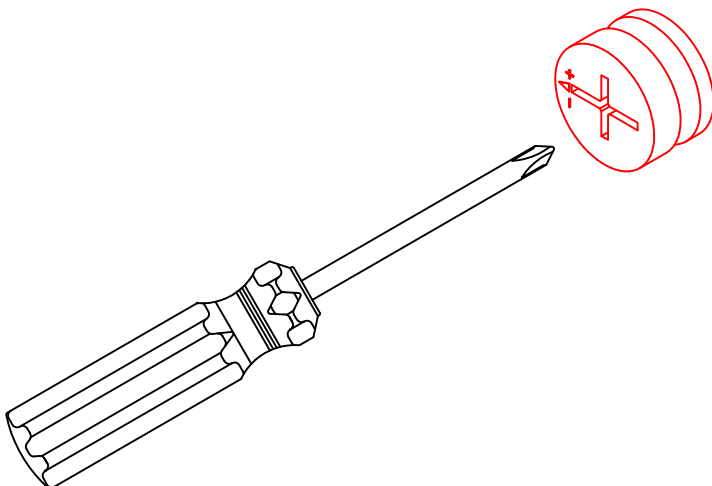


7


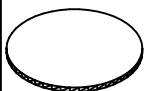
B			8
S			8

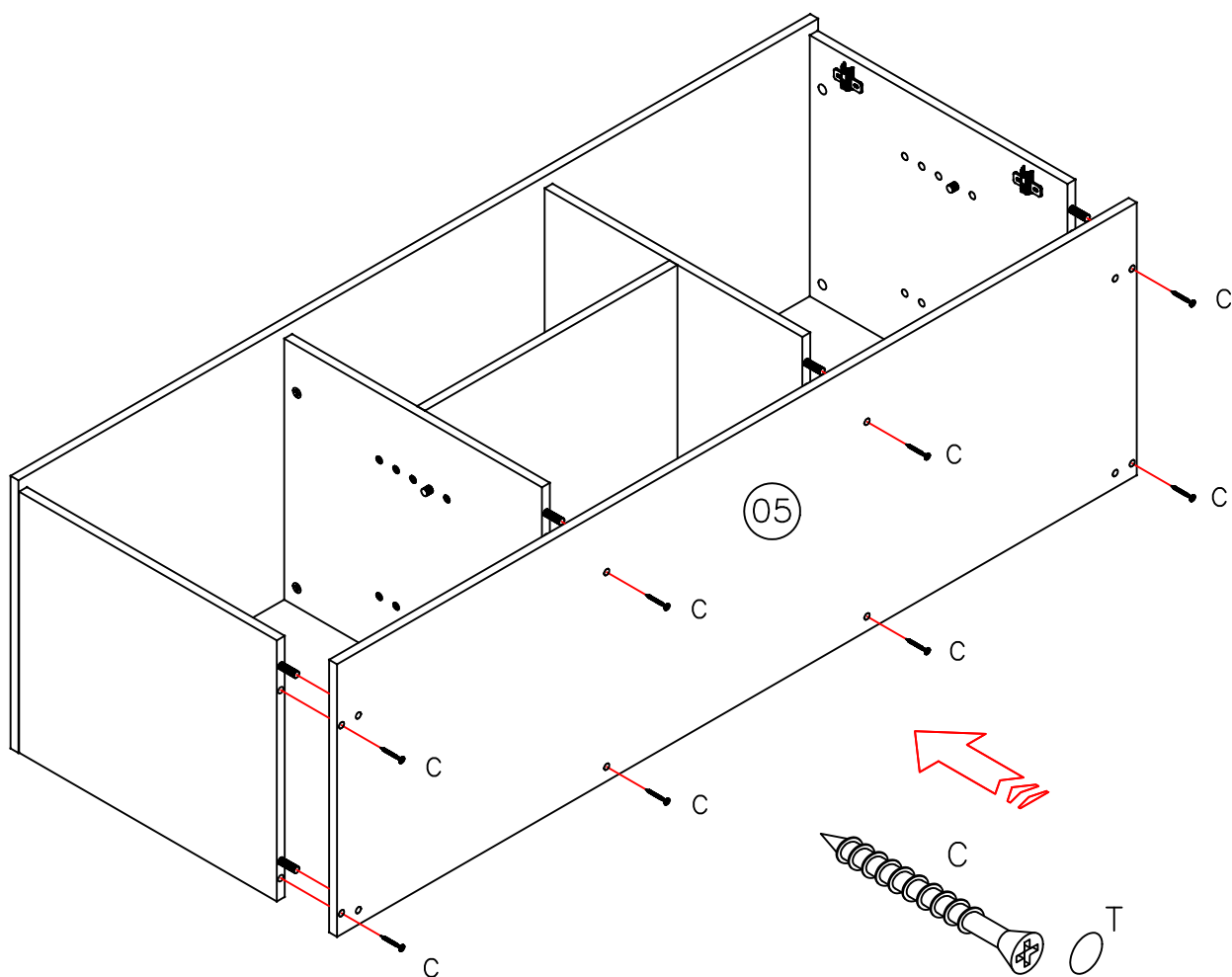


Proper orientation



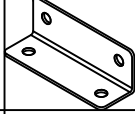

8

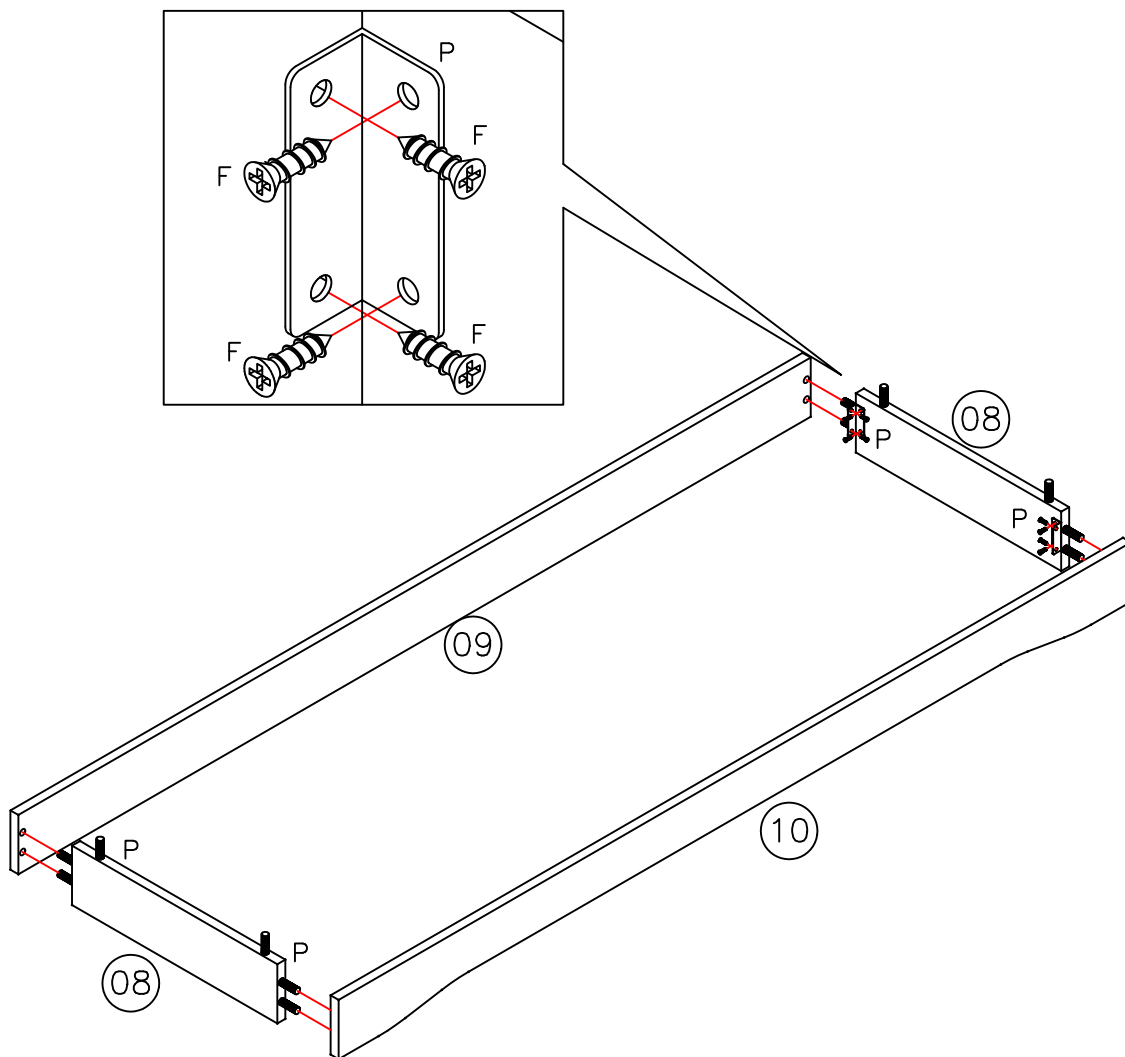
C		8
T		8



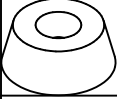
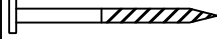


Proper orientation

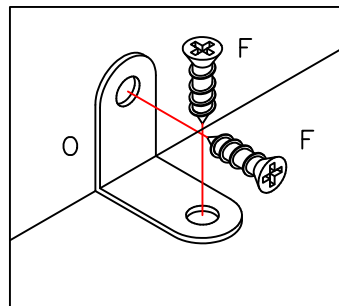
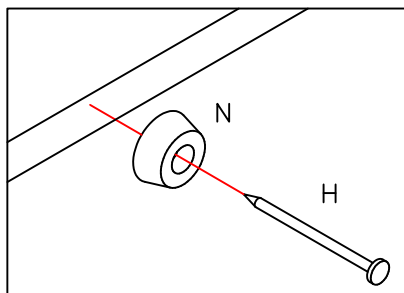
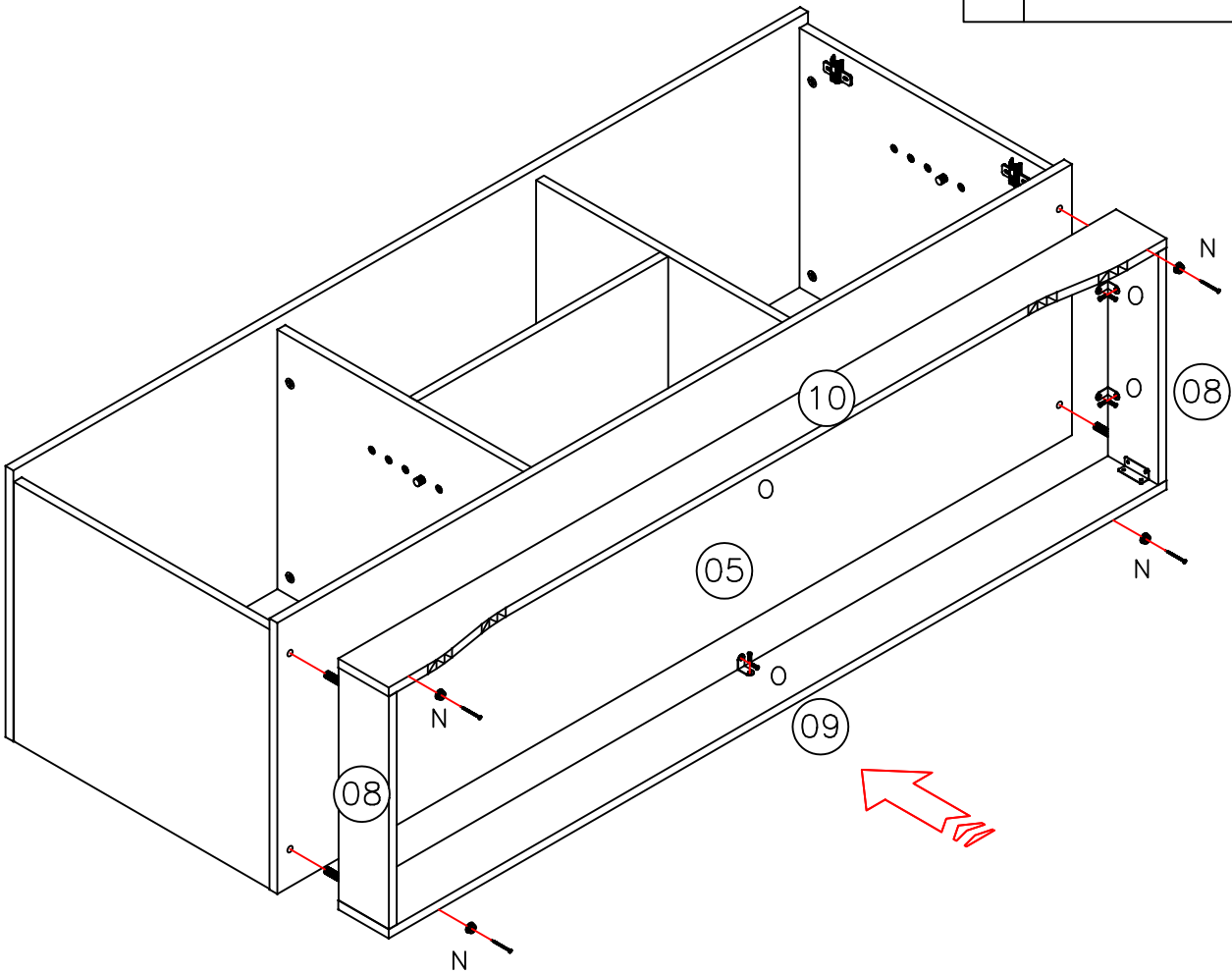
9

P		4
F		16

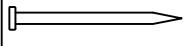
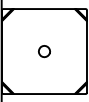


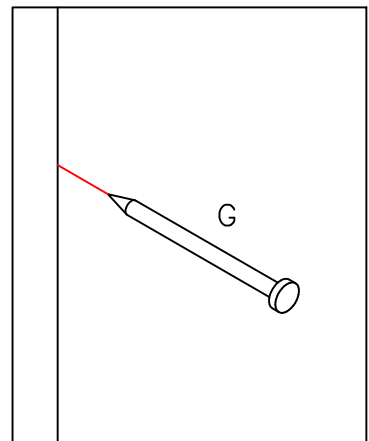
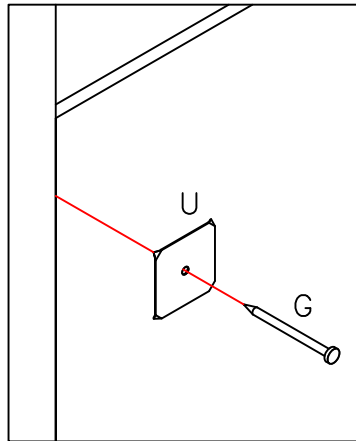
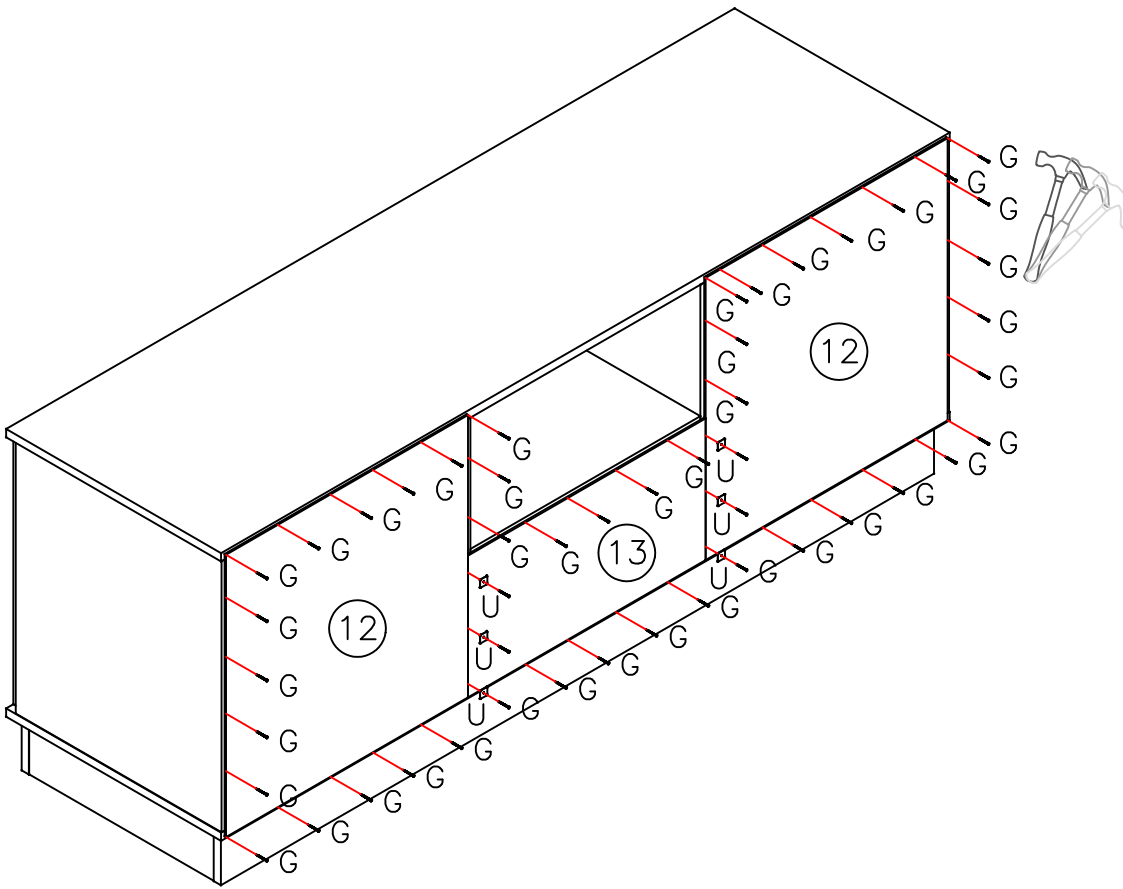
10

N		4
H		4
O		6
F		12





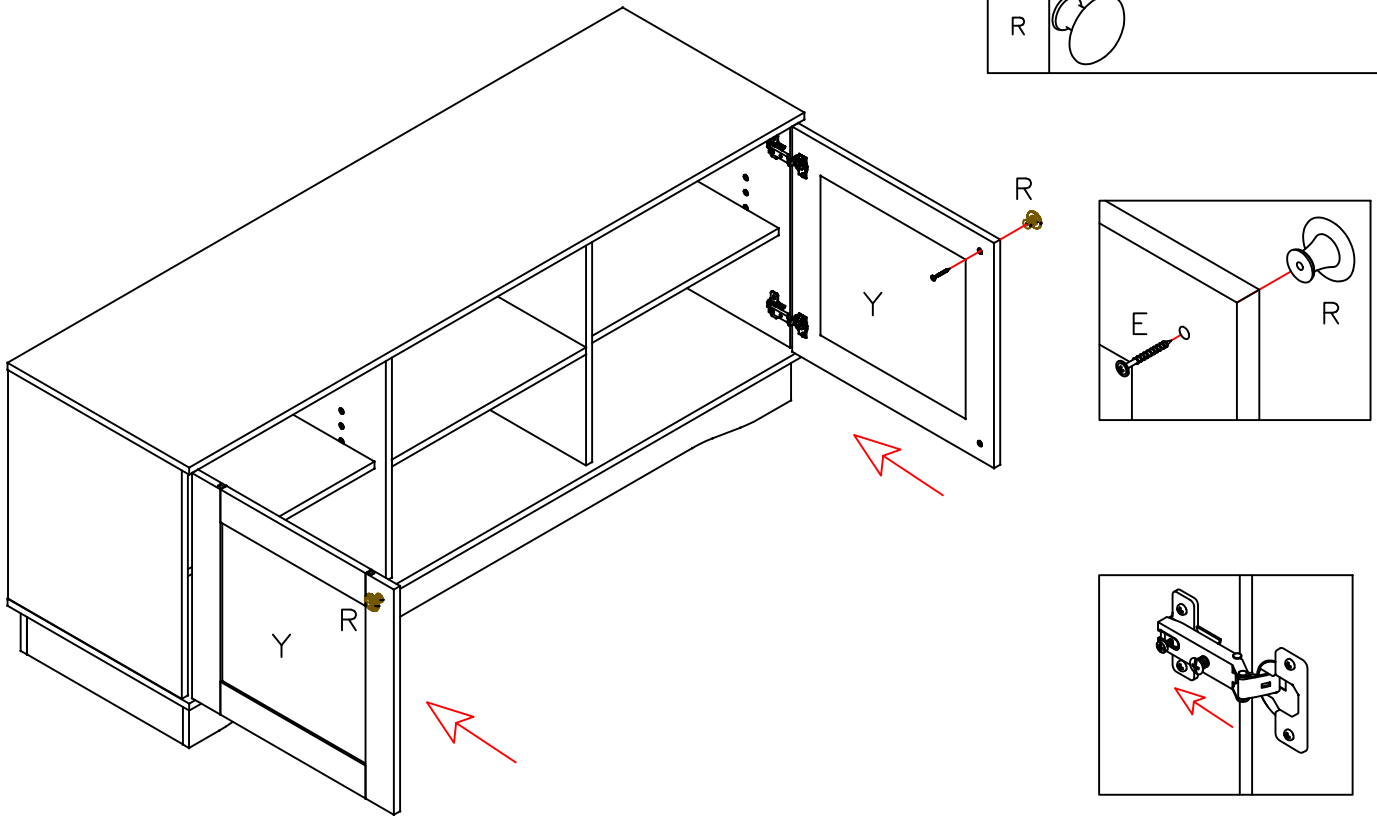
11

G		50
U		6

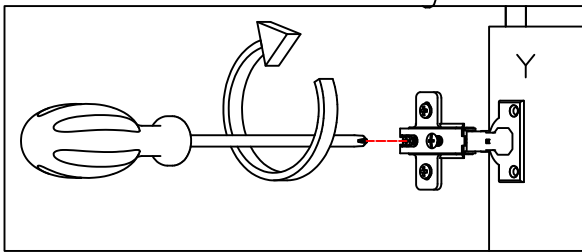


12

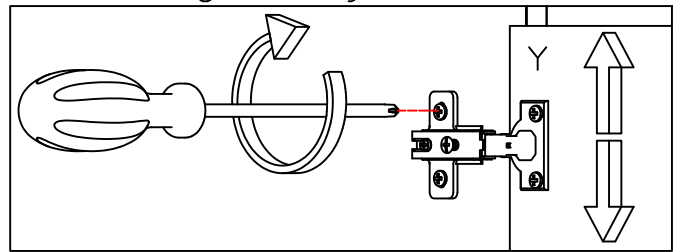
E		2
R		2



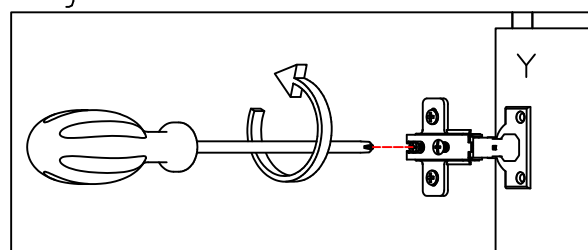
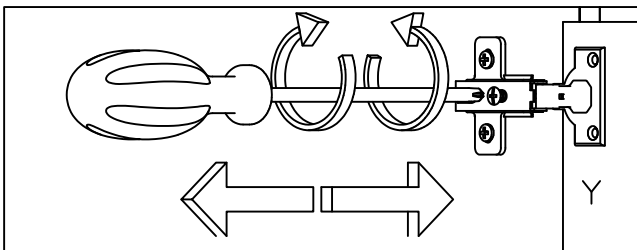
Door Setting



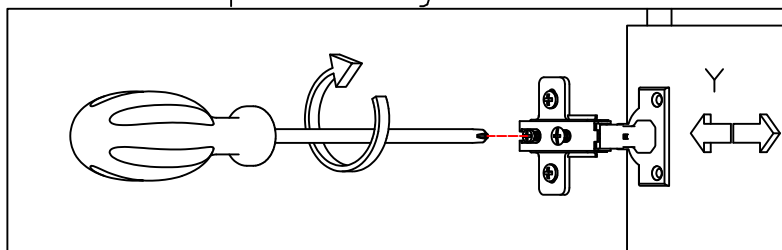
Height Adjustment



Internal Adjustment



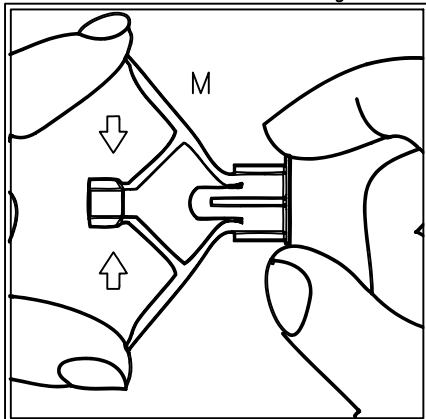
Depth Adjustment



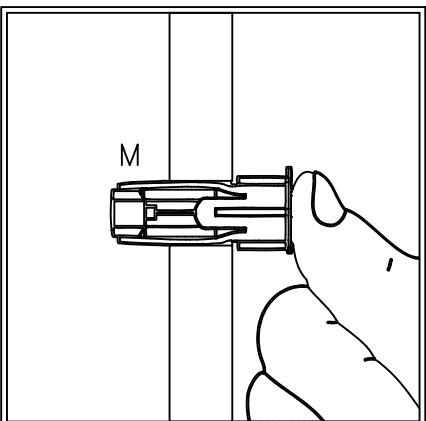
13

NOTE: Do not turn the DRYWALL ANCHOR into a wall stud. If you prefer to fasten the SAFETY ANTI-TIPPING to a wall stud, go to your local hardware store for proper hardware.

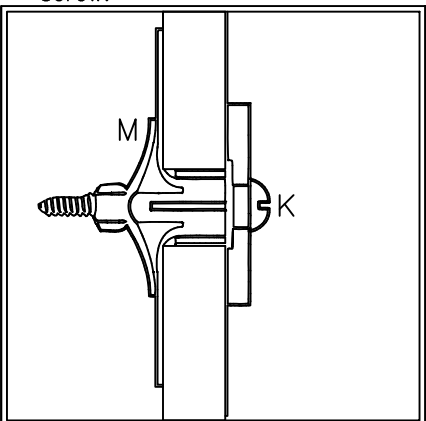
Compress the wings of anchor before inserting.



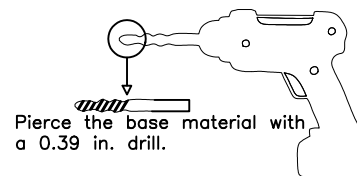
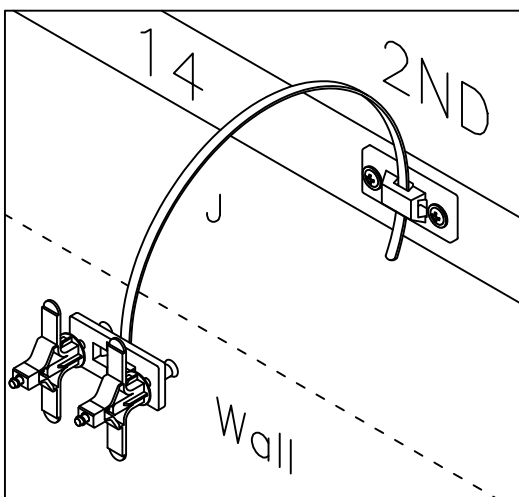
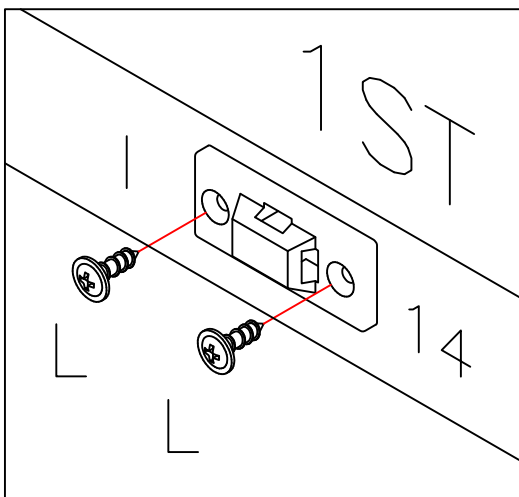
Insert the chuck into the hole of the base material.



Position the object over the bushing and secure it with a screw.



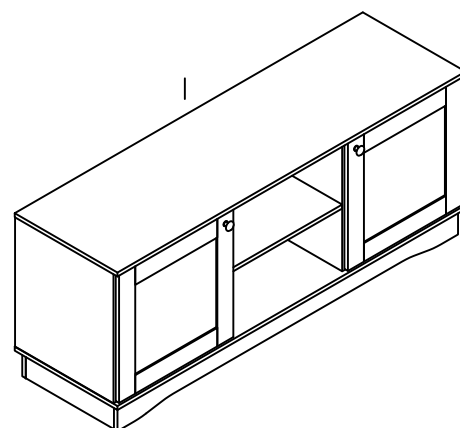
Anti-tipping installation		
I		Mounting bracket 2
J		Clamp 1
K		Screw 4,5x50 2
L		Screw 3,5x16 BC 2
M		Anchor 2



Pierce the base material with a 0.39 in. drill.

Important

- The minimum length of the screw must be the bushing length + object thickness that will be fixed.
- To guarantee the wing expansion function of the bushing, after the screw head is at the object to be fixed, one must continue to rotate the screw until maximum torque is reached.



A WARNING - Anti-Tip Advisory

Potential of serious fatal crushing injuries may occur from furniture tip-over. To help prevent tip-over:

ALWAYS INSTALL the tip-over restrain that came with your furniture. This tip-over restrains only reduces but does NOT completely eliminate the risk of tip-over

- ALWAYS Place the heaviest items in the lowest/bottom drawer.
- NEVER place TV's or other heavy objects on top of this product.
- NEVER allow children to scale/climb/hang on the drawers, doors, or shelves.
- NEVER open more than one drawer at a time.

B ADVERTENCIA - Aviso antivuelco

Pueden producirse lesiones graves por aplastamiento mortales debido al vuelco de los muebles. Para ayudar a prevenir vuelcos:

- SIEMPRE INSTALE el sistema de retención que viene con sus muebles. Este sistema antivuelco solo reduce pero NO elimina por completo el riesgo de vuelco.
- SIEMPRE coloque los artículos más pesados en el cajón más bajo /inferior.
- NUNCA coloque televisores u otros objetos pesados encima de este producto.
- NUNCA permita que los niños escalen, trepen o se cuelguen de los cajones, puertas o estantes.
- NUNCA abra más de un cajón a la vez