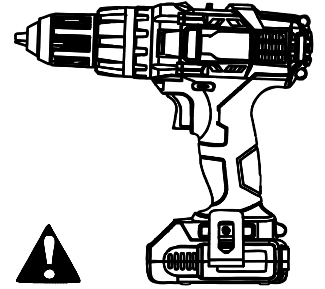
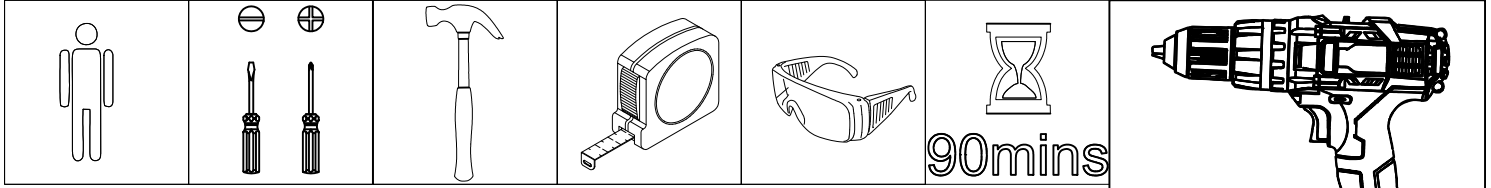


ASSEMBLY INSTRUCTIONS

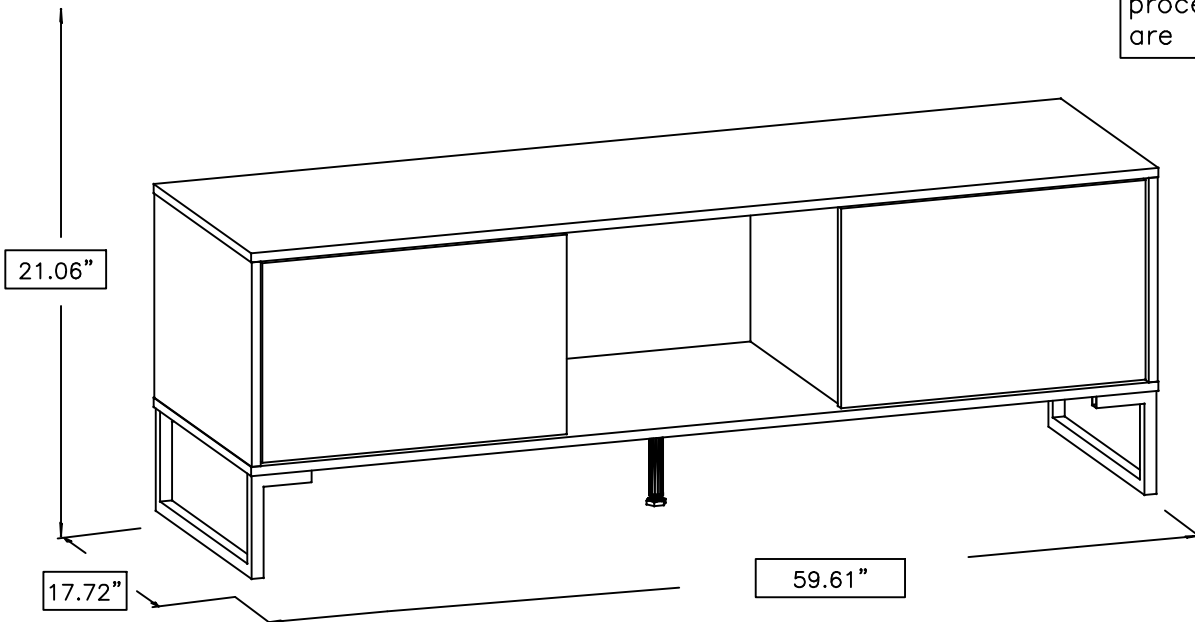
01/12
EU020



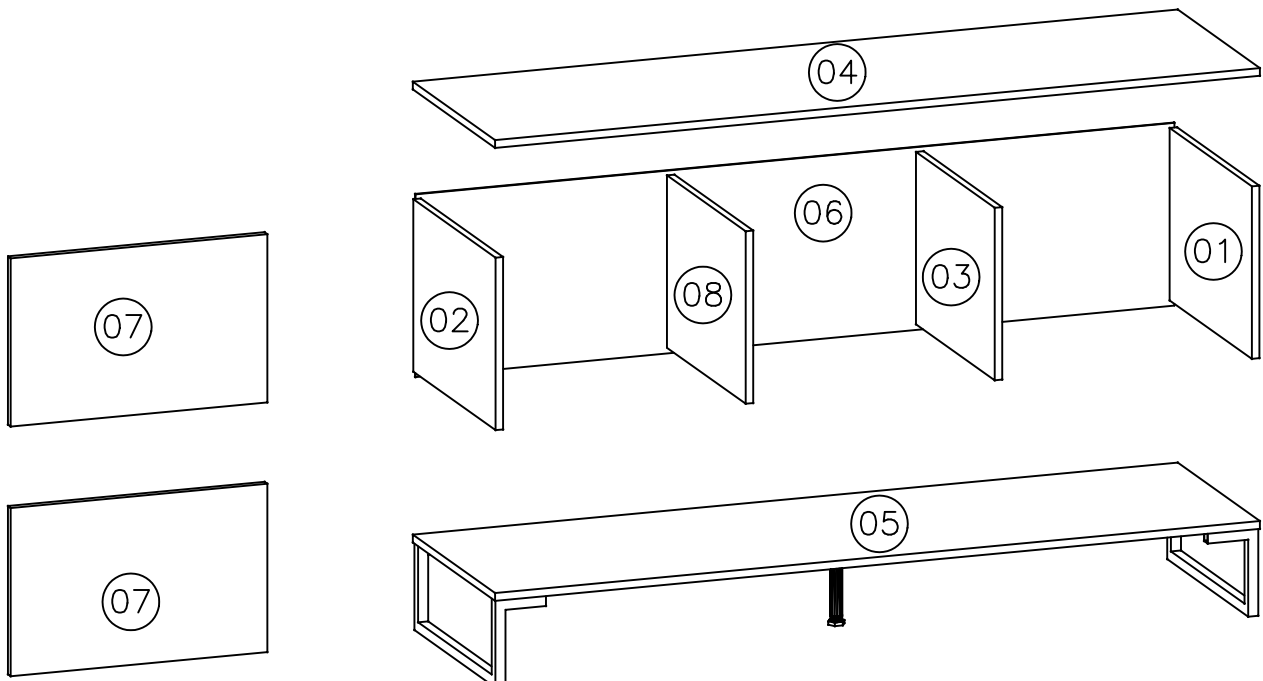
Warning –
CHOKING HAZARD – Small Parts Not for children under 3 years. Adult assembly required.



Although not required, it is recommended that a drill be used to help ease the assembly process, as some holes are not pre-drilled.



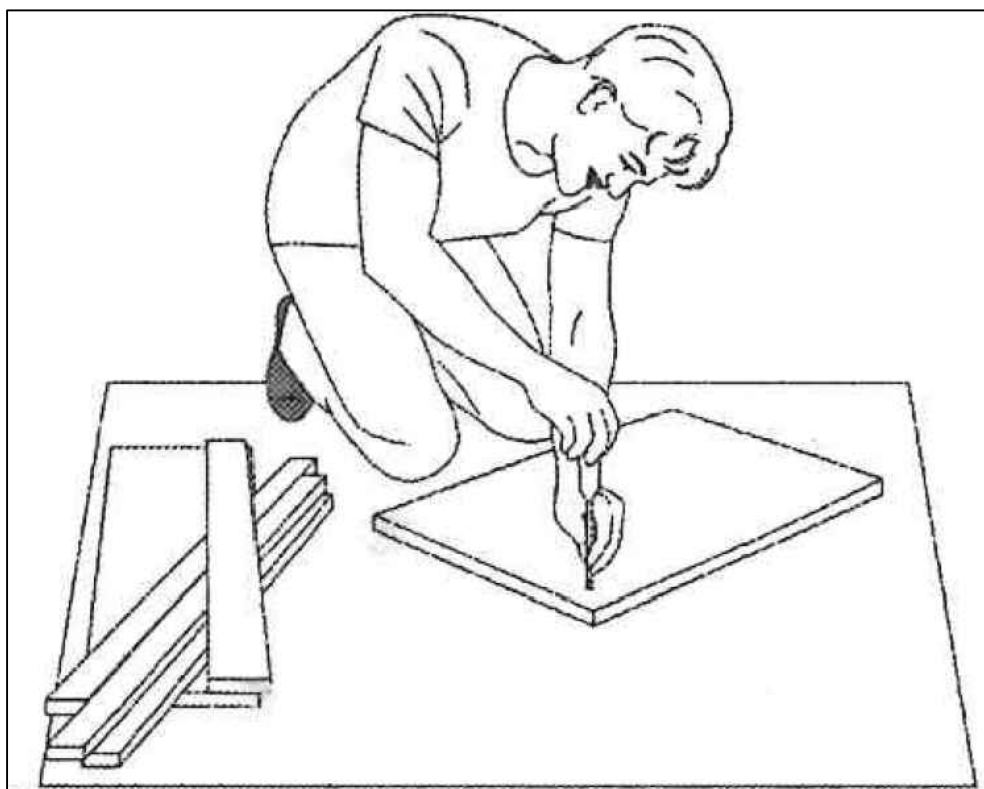
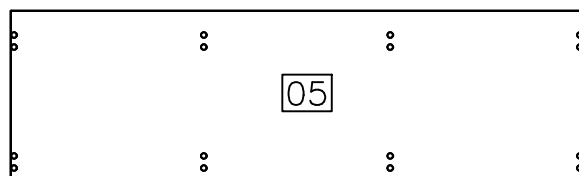
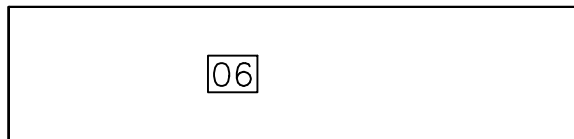
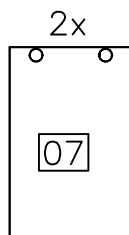
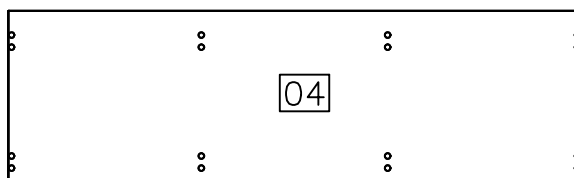
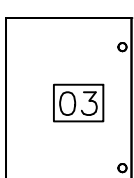
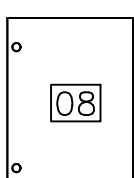
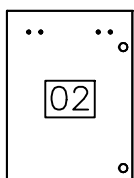
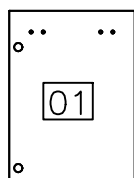
Part Identification



List of pieces

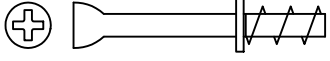
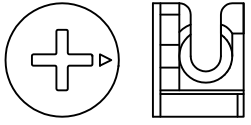
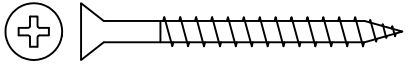
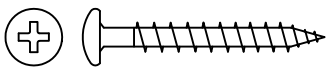


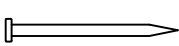
Code	Description	Amount	Length (in.)	Width (in.)	Thickness (in.)	Box
01	Right side	1	13.07"	17.60"	.59"	A
02	Left side	1	13.07"	17.60"	.59"	A
03	Right Division	1	13.07"	16.85"	.59"	A
04	Top panel	1	59.61"	17.60"	.59"	A
05	Base panel	1	59.61"	17.60"	.59"	A
06	Back panel	1	59.13"	13.86"	.12"	A
07	Doors	2	20.00"	12.76"	.59"	A
08	Left Division	1	13.07"	16.85"	.59"	A

For issues with ASSEMBLY or PARTS please contact CS@k1intlgrp.com or Toll-free 1-877-250-2820.

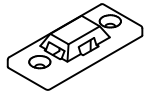

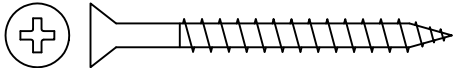
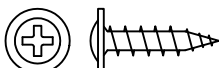
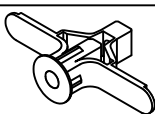


It is recommended the use of the box in which your furniture arrived in, be opened, and laid out on the floor as your work area. This helps prevent an unnecessary damages from occurring.

T
O
S
C
A
L
E

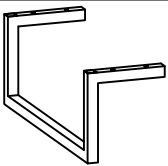
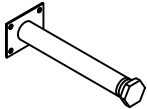
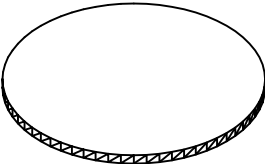
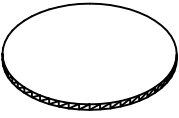
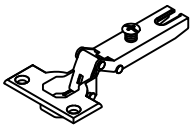


Hardware			
	Code	Description	Amou.
A	30945	 Cam Screws	8
B	30950	 Cam Locks	8
C	226	 Screw 4x40	8
D	379	 Screw 4,0x30	8
E	1802	 Dowel 6x30mm	16
F	4214	 Screw 3,5x14	4
G	107	 Nail 10x10	37

Anti-tipping installation

H	55606	 Mounting bracket	2
I	55607	 Clamp	1
J	51980	 Screw 4,5x50	2
K	1178	 Parafuso/ Tornillo/ Screw 3,5x16 BC	2
L	32069	 Adapter sleeve	2




NOTTOSCALE

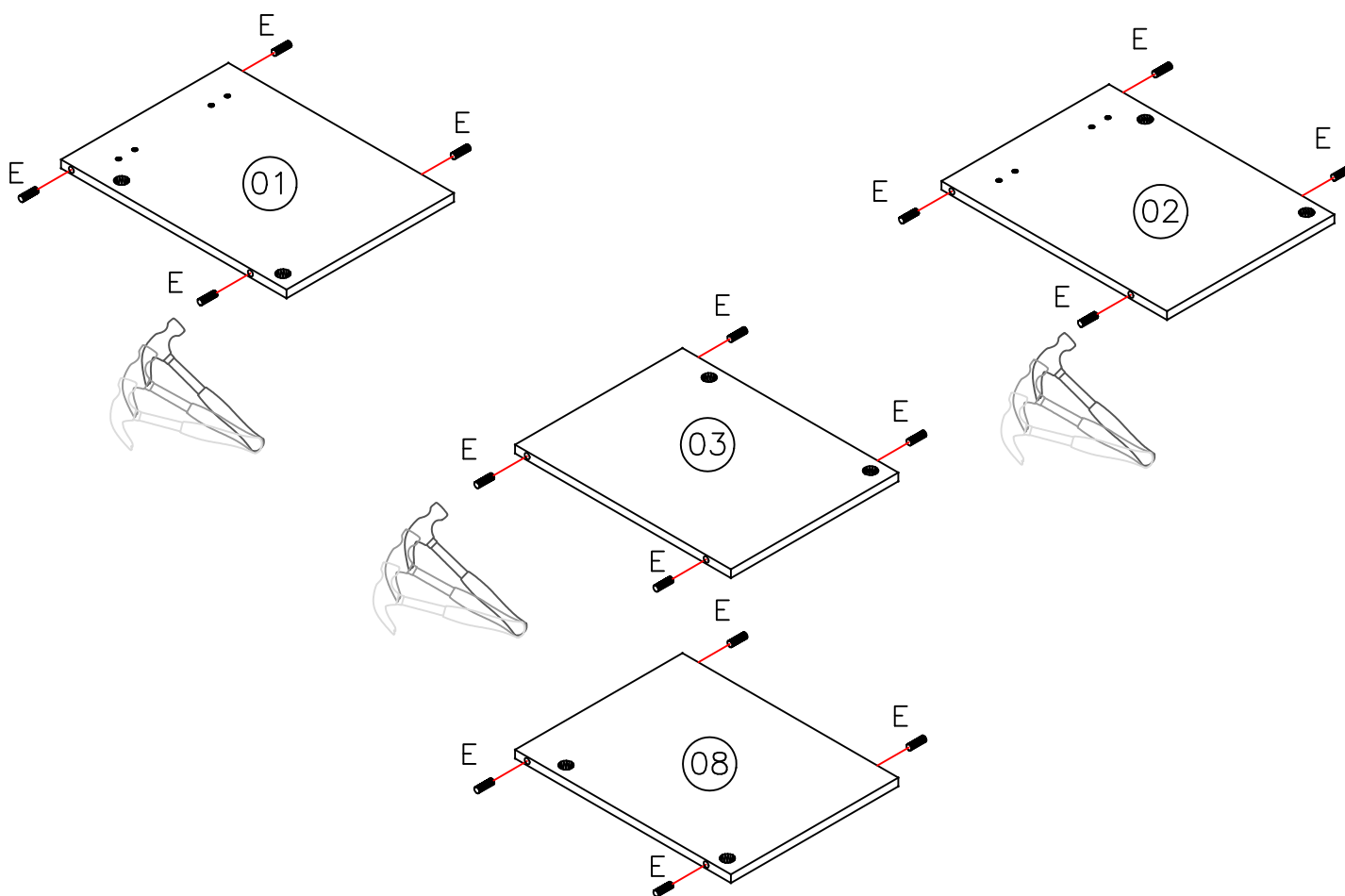
M	BRLA1=55387 (Branco fosco) LABR1=55387 (Branco fosco)		Metal foot tube	2
N	BRLA1=43447 (Branco fosco) LABR1=43447 (Branco fosco)		Central foot	1
O	BRLA1=44156 (Branco Fosco) LABR1=31256 (Larnaca)		Screw cap cover 19mm	8
P	BRLA1=44157 (Branco Fosco) LABR1=09396 (Larnaca)		Screw cap cover 13mm	8
Q	05123		Hinge 35mm	4
R	05123		Shim	4
S	05123		Hinge screw 4,0x14	16
01 Saco médio para acessórios (Internal production data)				



1


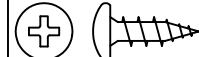
Preassembly of parts

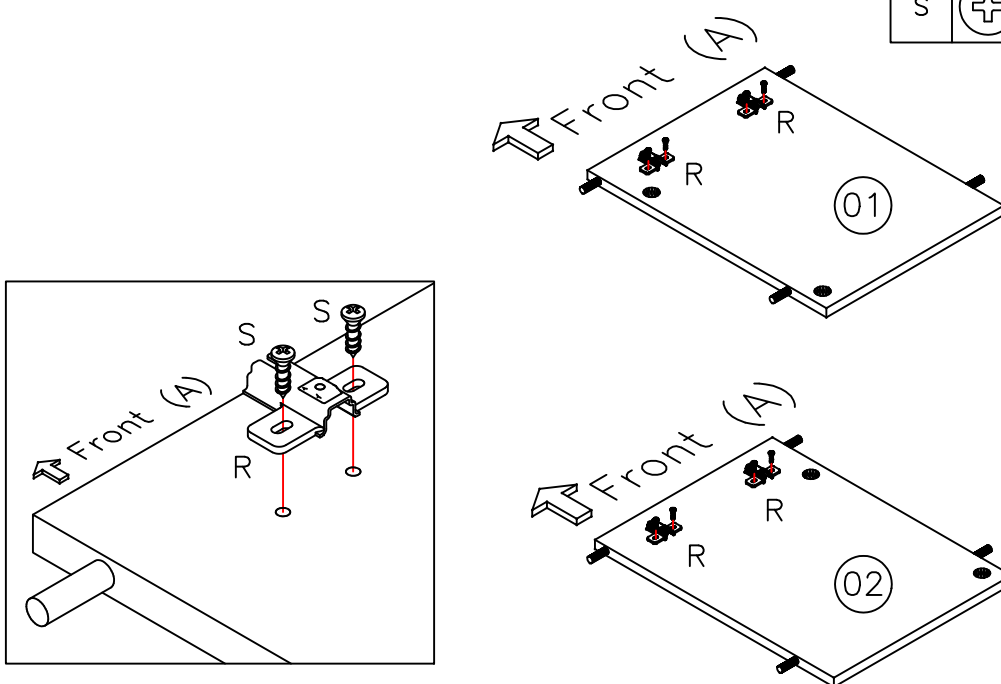
E		16
---	---	----




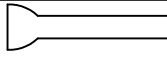
2

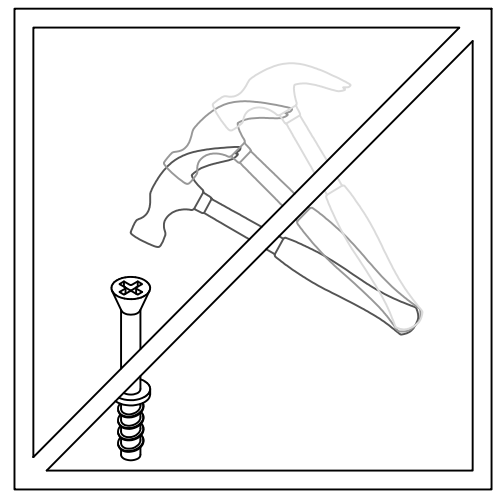
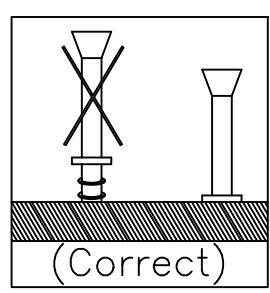
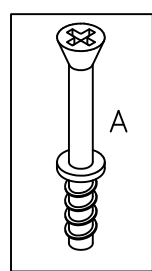
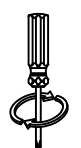
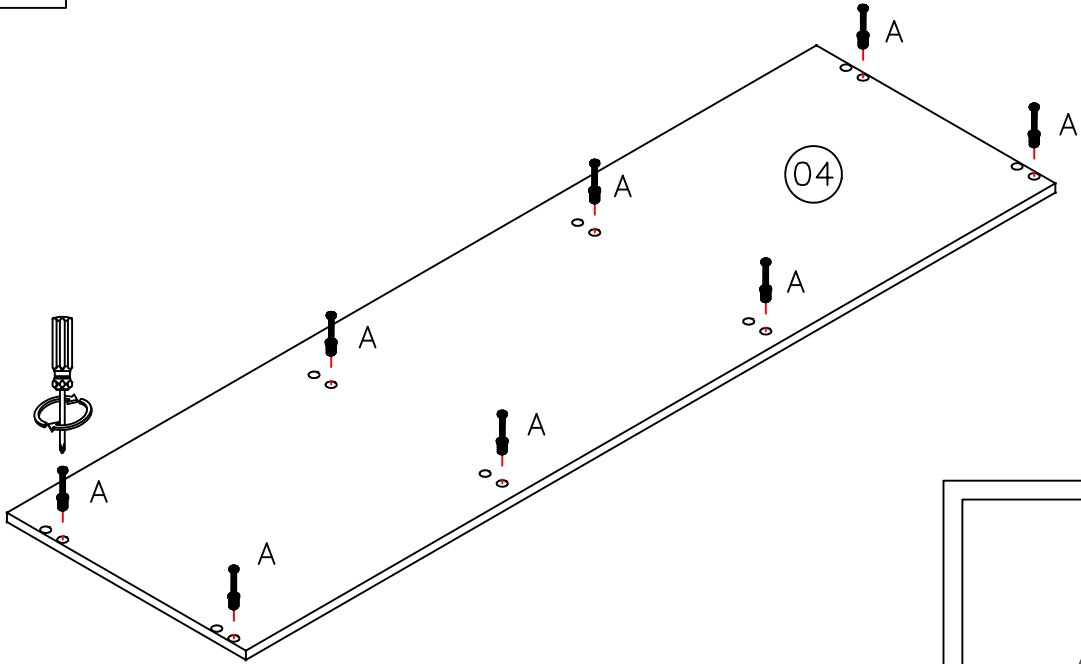
This process is repeated twice times

R		4
S		8



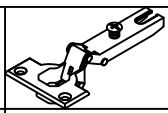

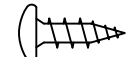
3

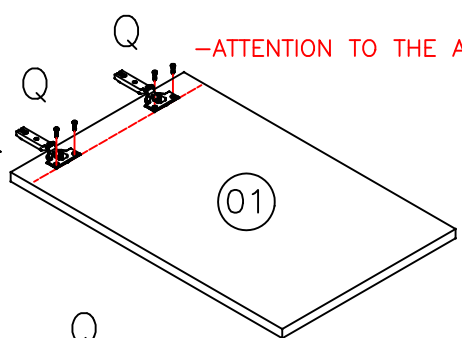
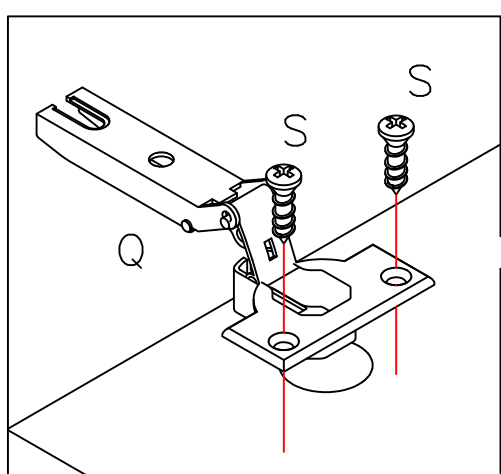
A			8
---	---	---	---



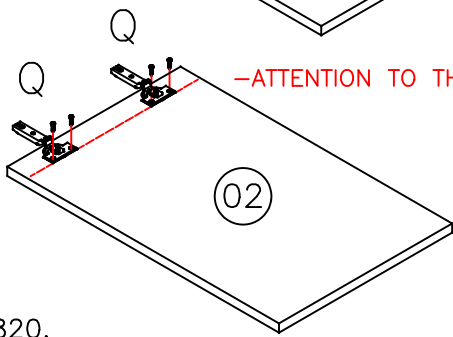
4

This process is repeated twice times

Q		4	
S			8


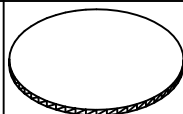


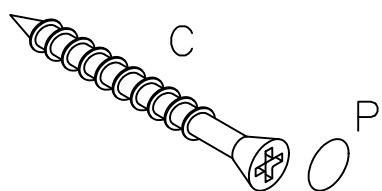
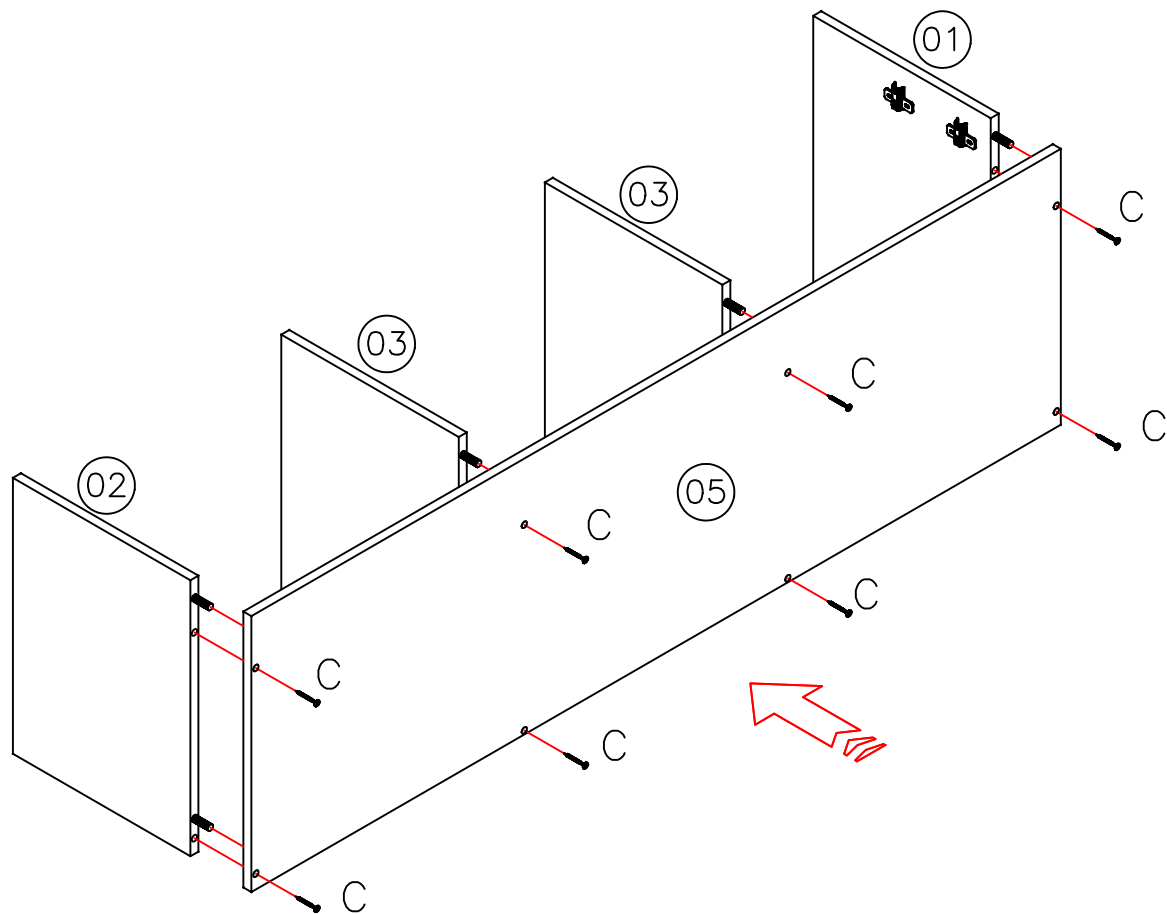
-ATTENTION TO THE ALIGNMENT OF THE HINGES



-ATTENTION TO THE ALIGNMENT OF THE HINGES

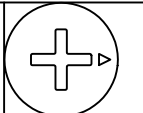
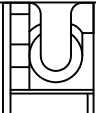
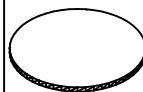
5

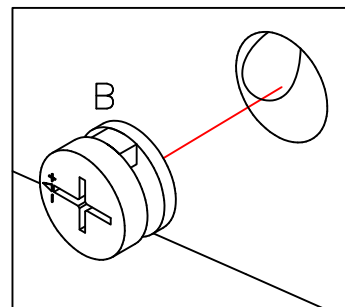
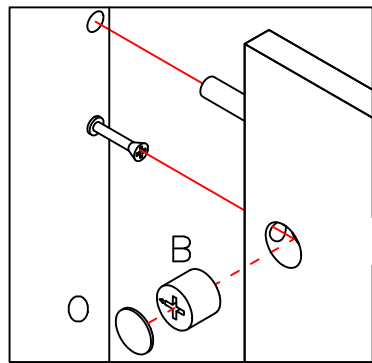
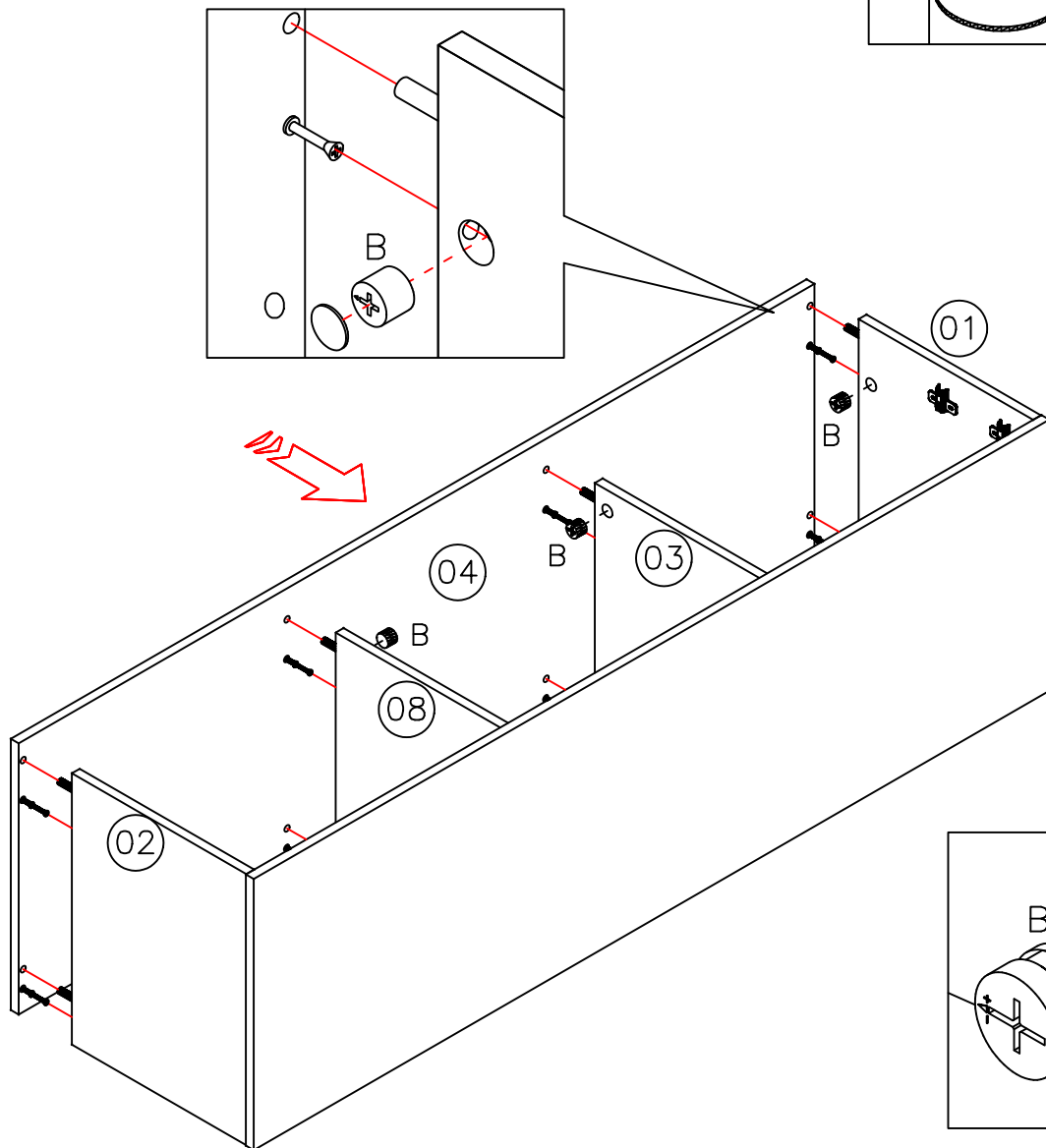
C		8
P		8



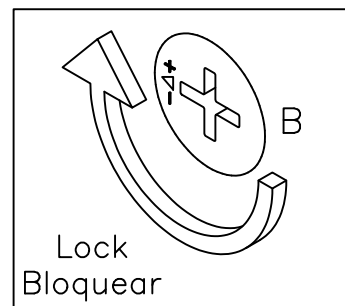
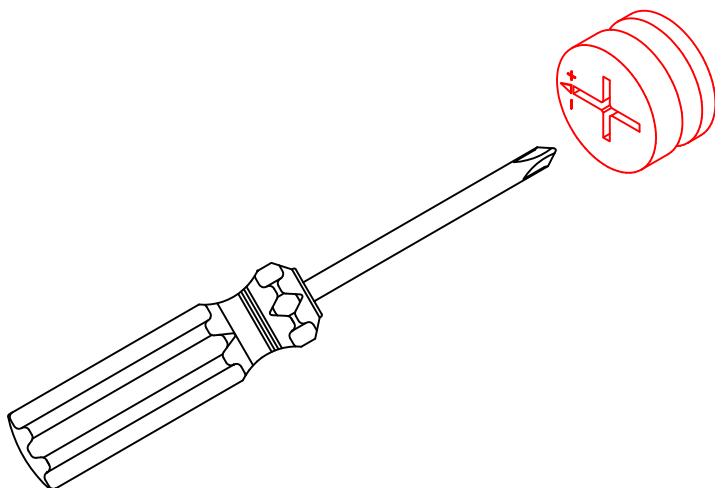
Proper orietation

6




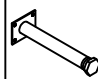
B			8
O			8

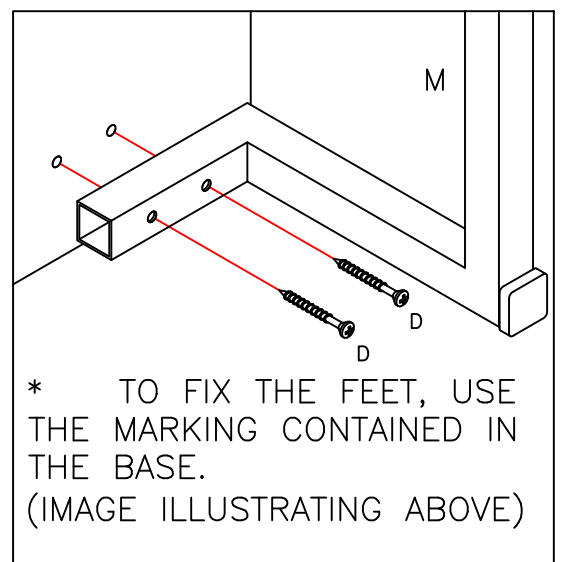
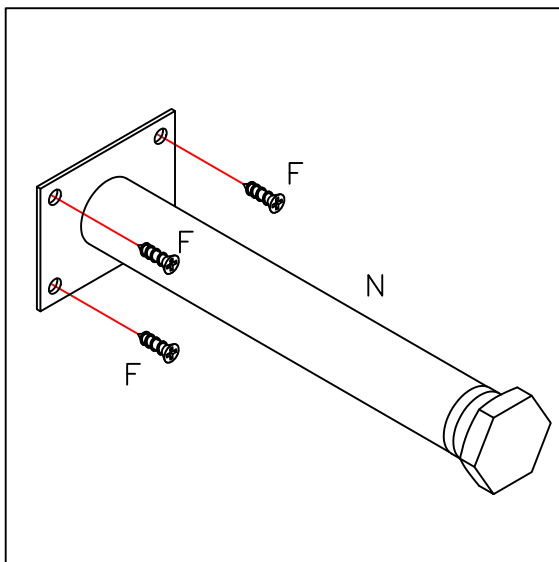
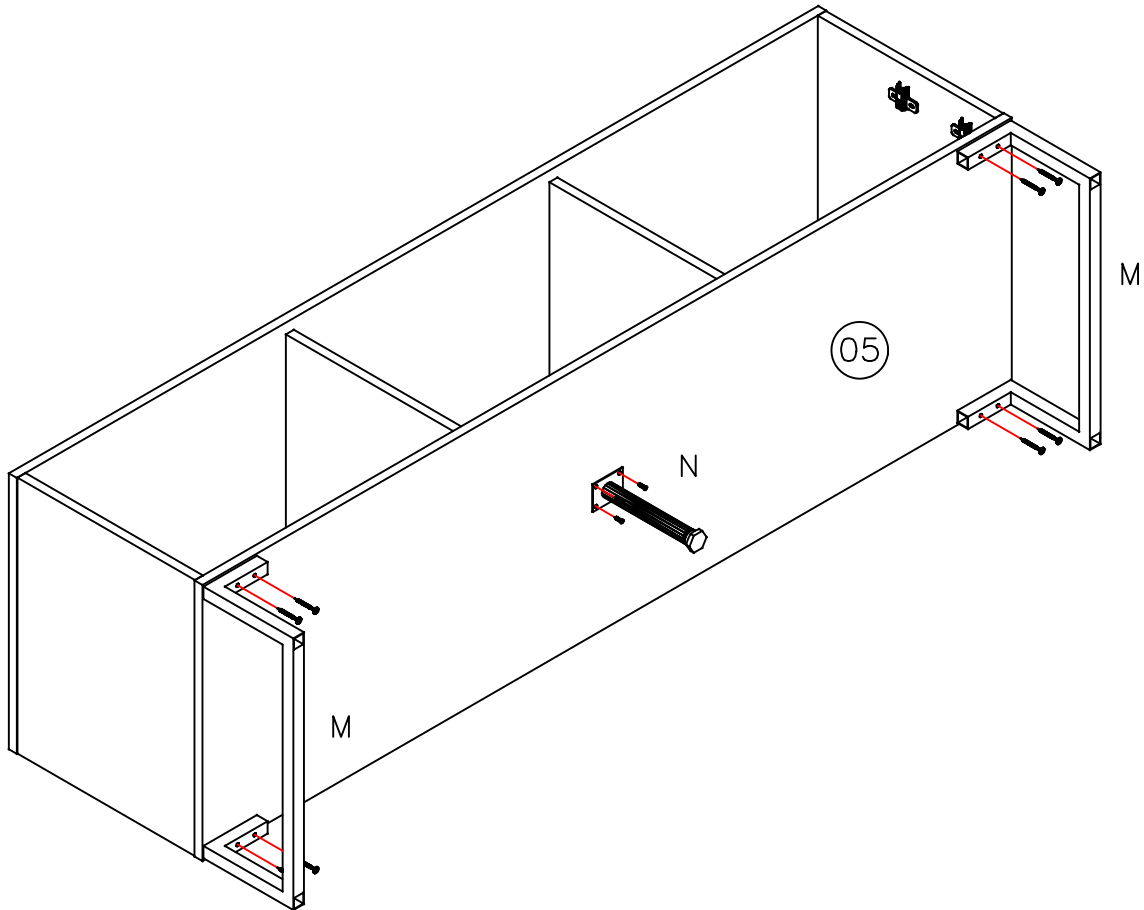


Proper orietation

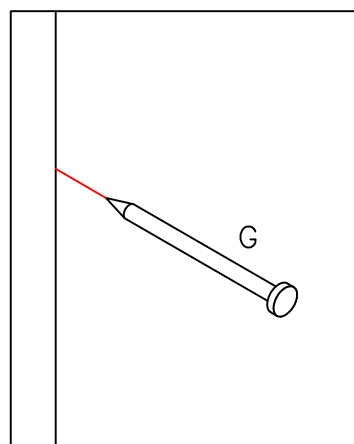
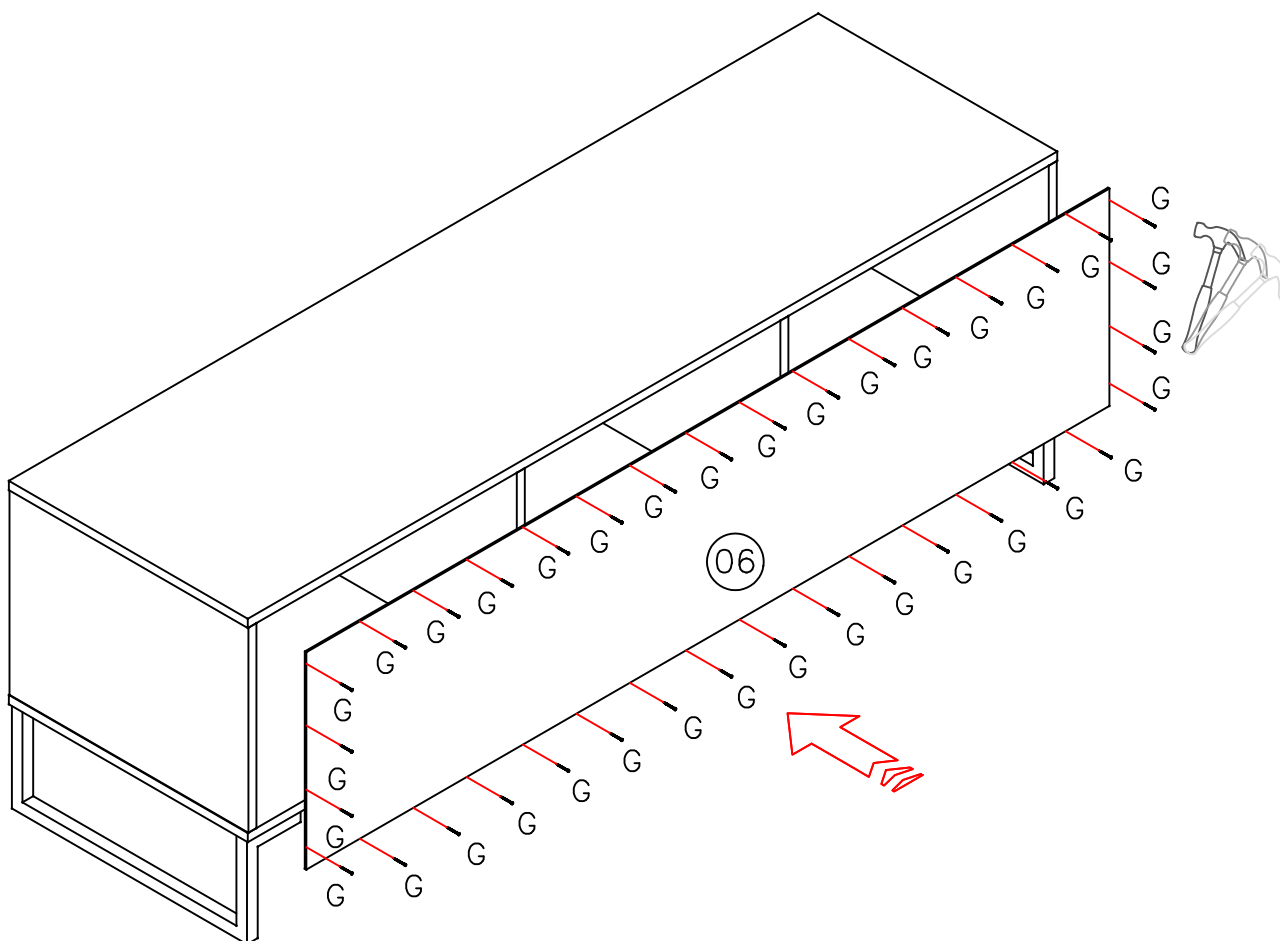
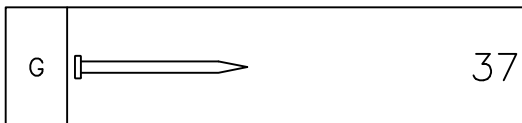


7

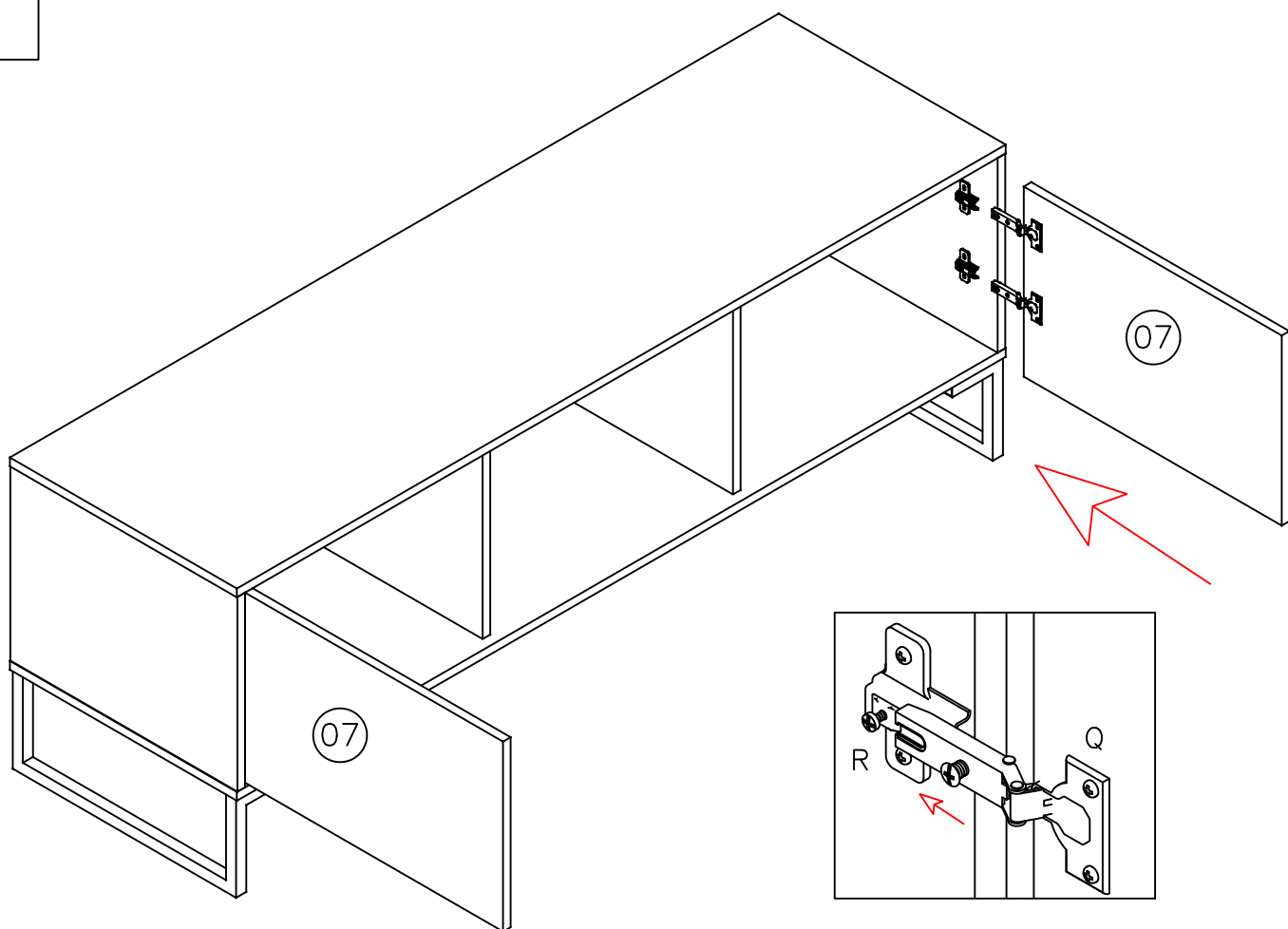
D		8
F		4
M		2
N		1



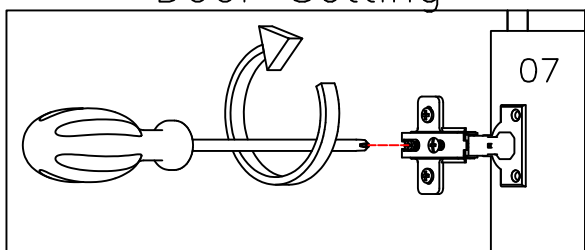
8



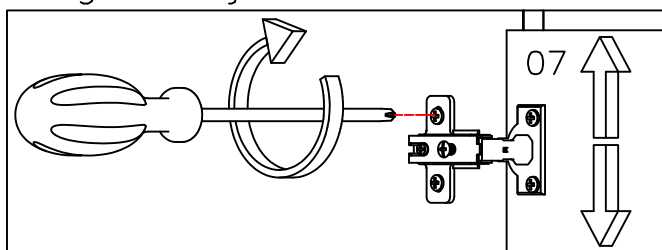
9



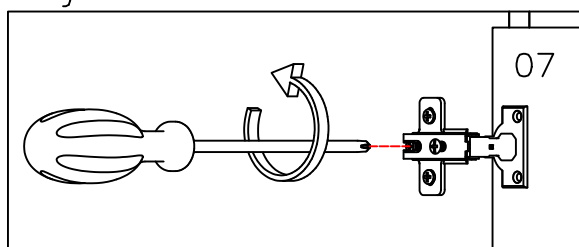
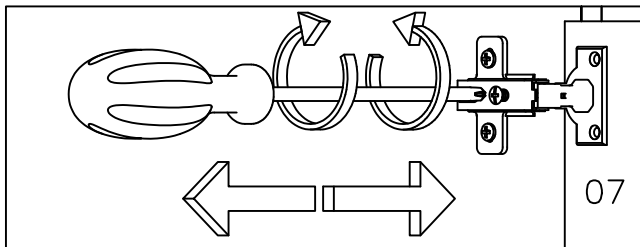
Door Setting



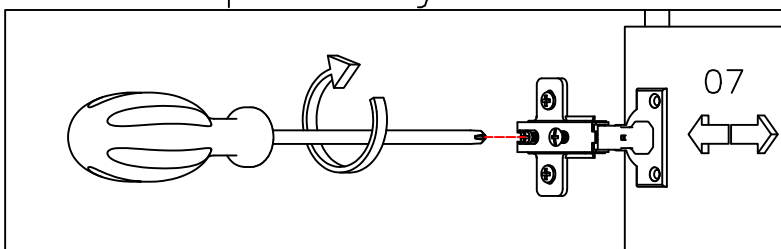
Height Adjustment



Internal Adjustment



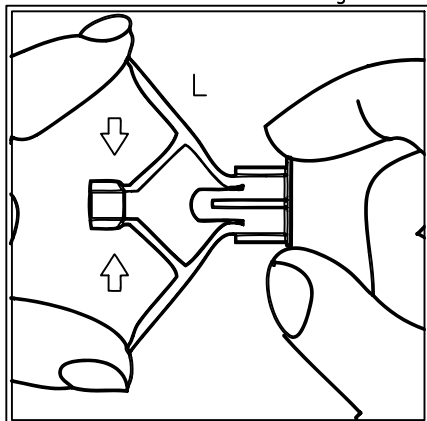
Depth Adjustment



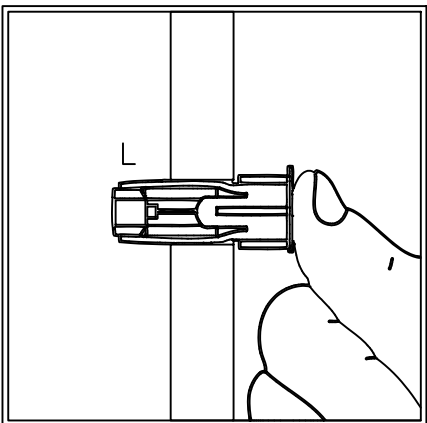
10

NOTE: Do not turn the DRYWALL ANCHOR into a wall stud. If you prefer to fasten the SAFETY ANTI-TIPPING to a wall stud, go to your local hardware store for proper hardware.

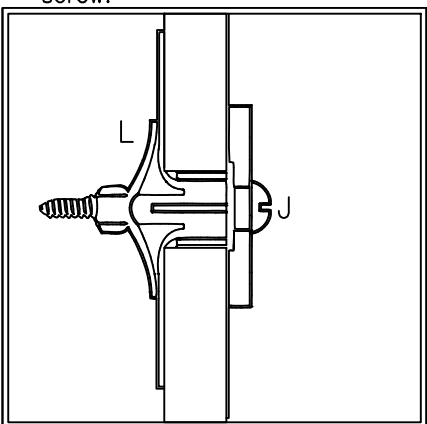
Compress the wings of anchor before inserting.



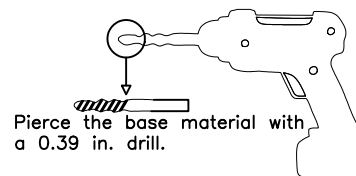
Insert the chuck into the hole of the base material.



Position the object over the bushing and secure it with a screw.

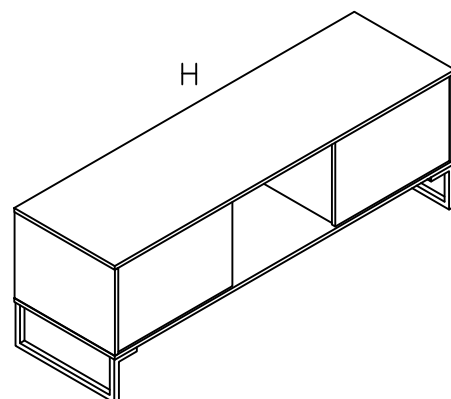
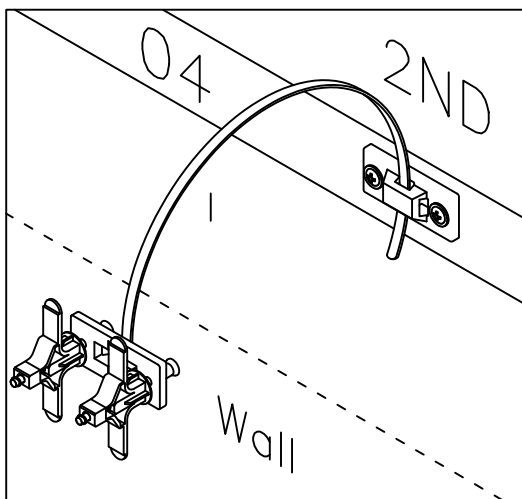
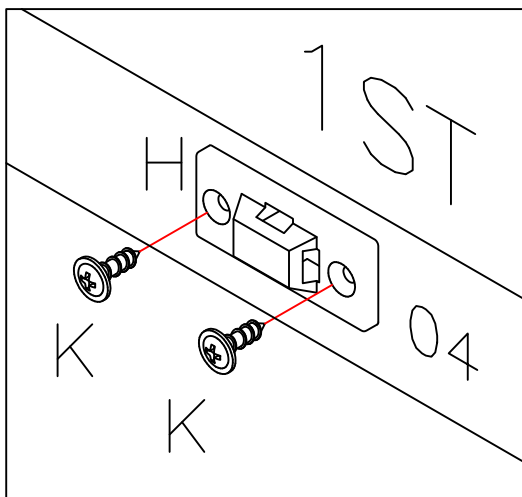


Anti-tipping installation			
H		Mounting bracket	2
I		Clamp	1
J		Screw 4,5x50	2
K		Screw 3,5x16 BC	2
L		Anchor	2



Important

- The minimum length of the screw must be the bushing length + object thickness that will be fixed.
- To guarantee the wing expansion function of the bushing, after the screw head is at the object to be fixed, one must continue to rotate the screw until maximum torque is reached.



▲ WARNING – Anti-Tip Advisory

Potential of serious fatal crushing injuries may occur from furniture tip-over. To help prevent tip-over:

ALWAYS INSTALL the tip-over restrain that came with your furniture. This tip-over restrains only reduces but does NOT completely eliminate the risk of tip-over

- ALWAYS Place the heaviest items in the lowest/bottom drawer.
- NEVER place TV's or other heavy objects on top of this product.
- NEVER allow children to scale/climb/hang on the drawers, doors, or shelves.
- NEVER open more than one drawer at a time.

B ADVERTENCIA – Aviso antivuelco

Pueden producirse lesiones graves por aplastamiento mortales debido al vuelco de los muebles. Para ayudar a prevenir vuelcos:

- SIEMPRE INSTALE el sistema de retención que viene con sus muebles. Este sistema antivuelco solo reduce pero NO elimina por completo el riesgo de vuelco.
- SIEMPRE coloque los artículos más pesados en el cajón más bajo /inferior.
- NUNCA coloque televisores u otros objetos pesados encima de este producto.
- NUNCA permita que los niños escalen, trepen o se cuelguen de los cajones, puertas o estantes.
- NUNCA abra más de un cajón a la vez