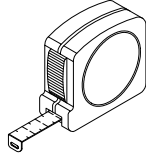
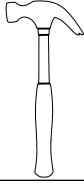
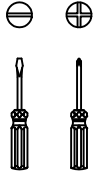
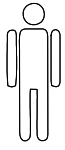


# ASSEMBLY INSTRUCTIONS

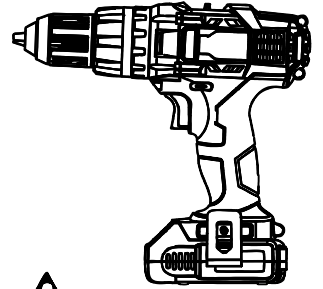
01/18  
EU024



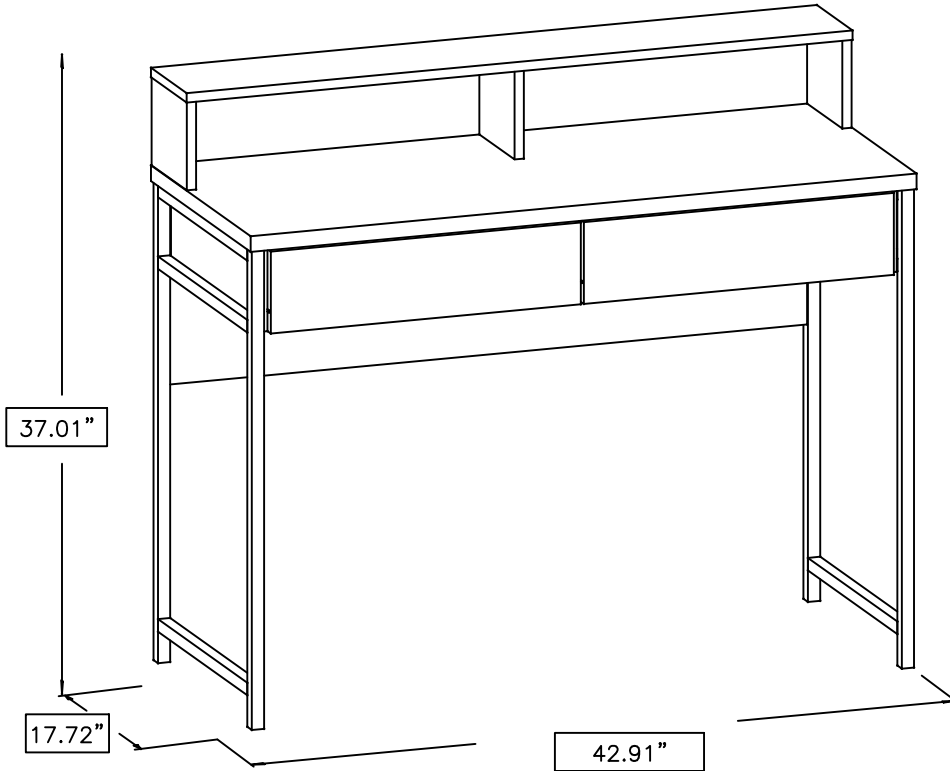
Warning –  
CHOKING HAZARD – Small Parts Not for children under 3 years. Adult assembly required.



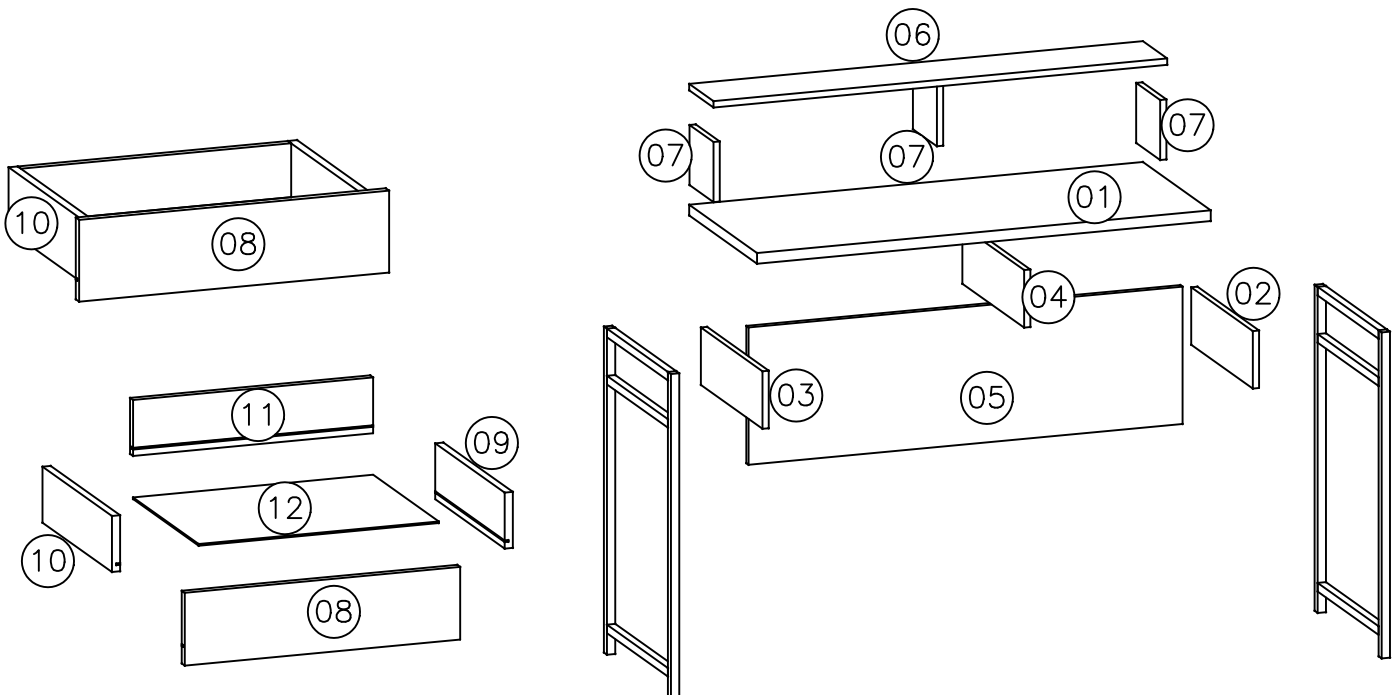
90mins



Although not required, it is recommended that a drill be used to help ease the assembly process, as some holes are not pre-drilled.



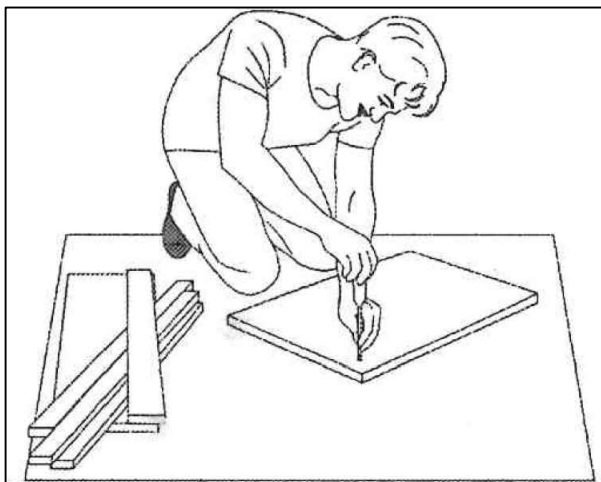
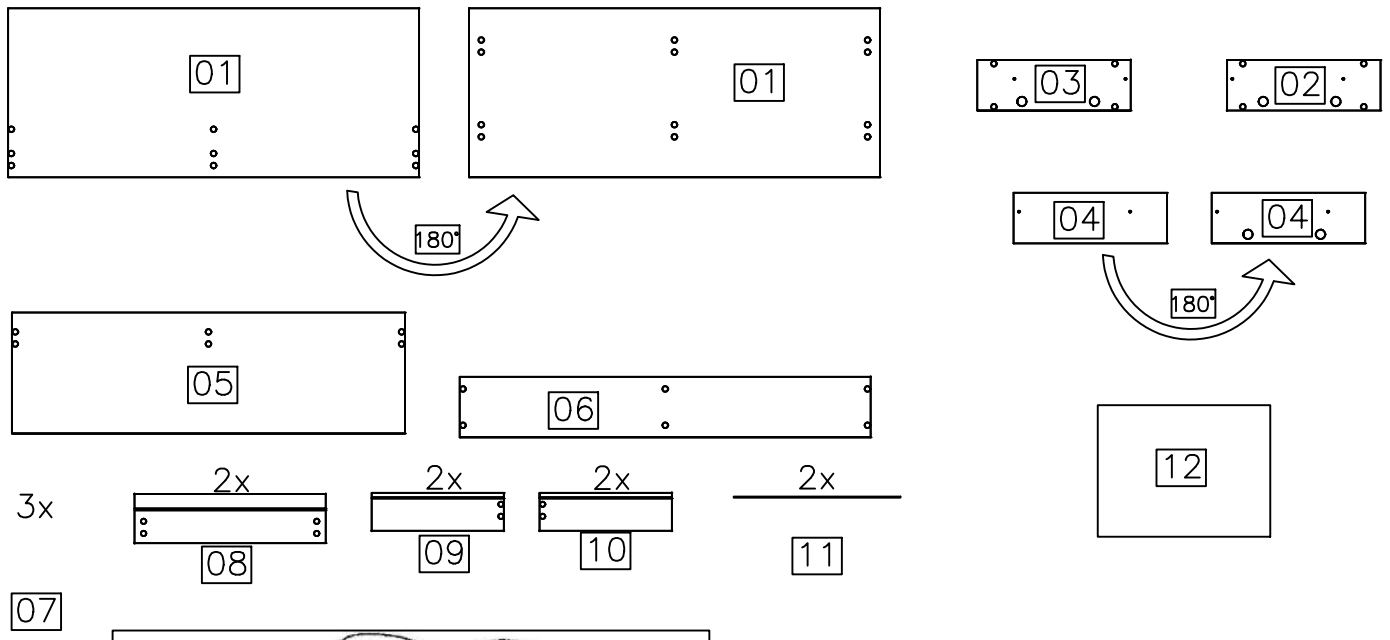
## Part Identification



List of pieces

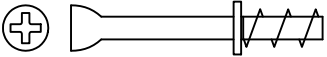
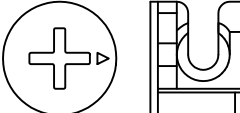
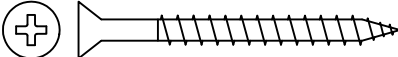
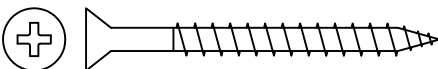
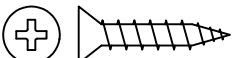


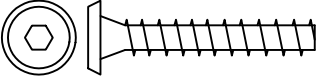
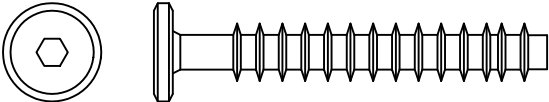
Code	Description	Amount	Length (in.)	Width (in.)	Thickness (in.)	Box
01	Bottom top of drawers	1	42.80"	17.60"	.98"	A
02	Right side	1	15.98"	5.28"	.59"	A
03	Left side	1	15.98"	5.28"	.59"	A
04	Division	1	15.98"	5.28"	.59"	A
05	Strengthening	1	40.94"	12.60"	.59"	A
06	Upper Top	1	42.80"	6.30"	.59"	A
07	Bottom cap Support	3	5.51"	6.22"	.59"	A
08	Front drawer	2	19.92"	5.12"	.59"	A
09	Right drawer side	2	13.78"	3.94"	.59"	A
10	Left drawer side	2	13.78"	3.94"	.59"	A
11	Back drawer	2	17.44"	3.94"	.59"	A
12	Bottom drawer	2	17.95"	13.70"	.12"	A

Prior to assembly, please ensure that all the Panels listed below are complete. If any pieces are missing or damages, please contact us directly at our Email [CS@K1intlgrp.com](mailto:CS@K1intlgrp.com) or Toll-free 1-877-250-2820




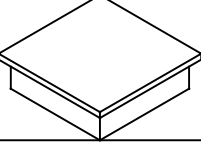
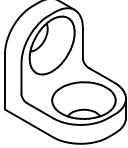
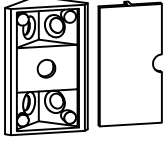
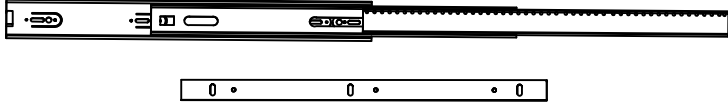
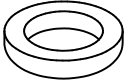
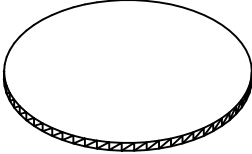
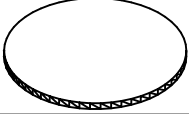
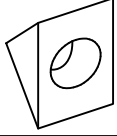
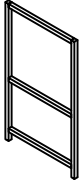
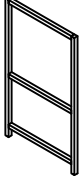
It is recommended the use of the box in which your furniture arrived in, be opened, and laid out on the floor as your work area. This helps prevent an unnecessary damages from occurring.

T  
O  
S  
C  
A  
L  
E

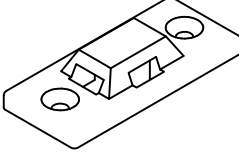
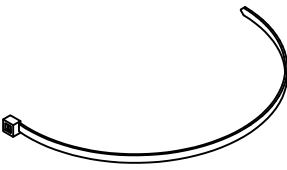
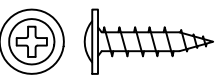
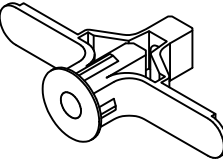
Hardware			
	Code	Description	Amou.
A	30945	 <span style="float: right;">Cam Screws</span>	6
B	30950	 <span style="float: right;">Cam Locks</span>	6
C	226	 <span style="float: right;">Screw 4x40</span>	7
D	51980	 <span style="float: right;">Screw 4,5x50</span>	5
E	5256	 <span style="float: right;">Screw 4x20</span>	4
F	4214	 <span style="float: right;">Screw 3,5x14</span>	46
G	1802	 <span style="float: right;">Dowel 6x30mm</span>	33
H	9619	 <span style="float: right;">Structural screw 1/4x30</span>	8
I	167	 <span style="float: right;">Structural screw 7x50</span>	4



NON TOTO SCALFE

J	248		Allen key 1/4"	1
K	2087		Handle pointer Black	4
L	8578		angle bracket "L"	3
M	OW= 7373 (Branca)		Plastic ledge with cover	4
N	43136		Metal slide 350mm	2
O	OW= 15508 (Aspen)		CPL cover Aspen 13mm	4
P	OW= 53287 (Off White)		Tap hole 19mm	10
Q	OW= 53286 (Off White)		Tap hole 13mm	7
R	18458		Black triangular support	4
S	OW= 54038 (Off White)		Right side structure	1
T	OW= 54037 (Off White)		Left side structure	1



Anti-tipping installation			
U	55606		2 Mounting bracket
V	55607		1 Clamp
W	1178		2 Screw 3,5x16 BC
X	32069		2 Adapter sleeve
01 Saco médio para acessórios (Internal production data)			



**1A** **Drawer Preassembly**  
This process is repeated twice

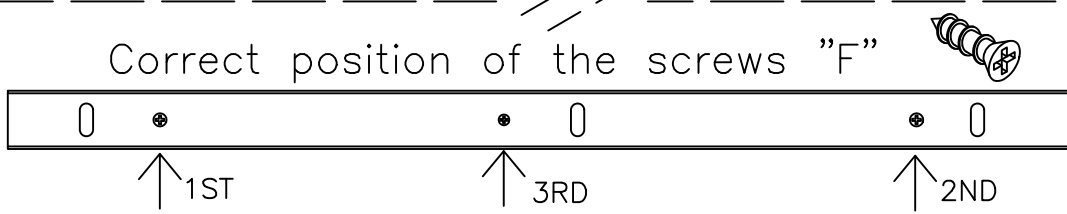
G		4
---	--	---

**1B** **Drawer Preassembly**  
This process is repeated twice

G		4
---	--	---

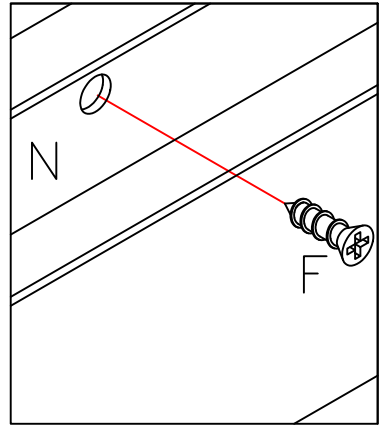
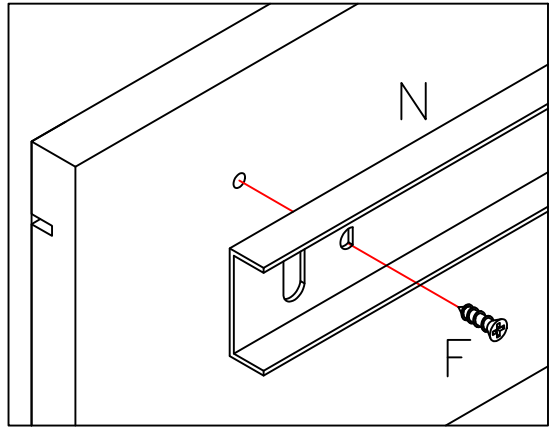
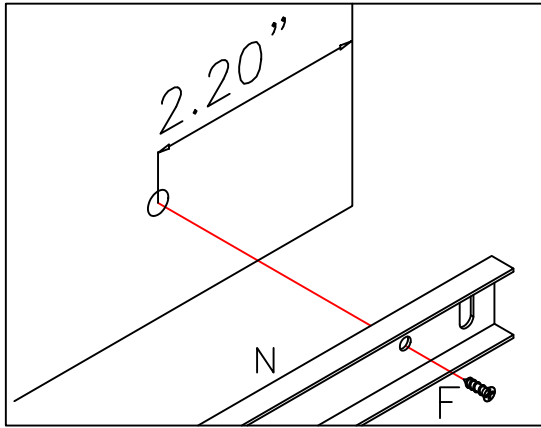
**1C** **Drawer Preassembly**  
This process is repeated four times

N		4
F		12



To adjust the height of the drawer, the "F" screw must be placed in the oval horizontal spacing of the "N" rail

**!** 1ST                      **!** 2ND                      **!** 3RD

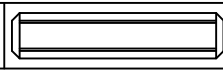


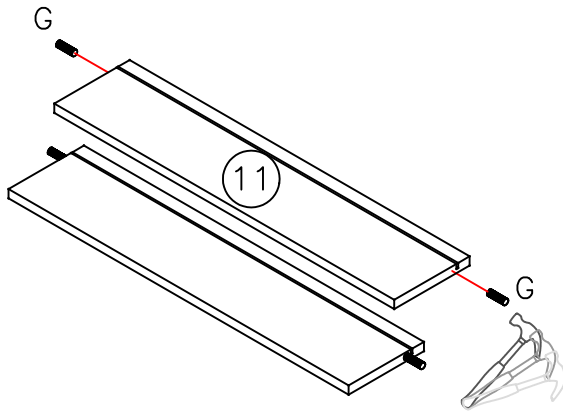
**!** Use the indent as a guide for installing the rails **!**

1D

## Drawer Preassembly

This process is repeated twice

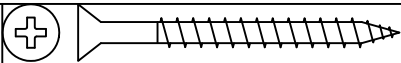

G		4
---	---	---

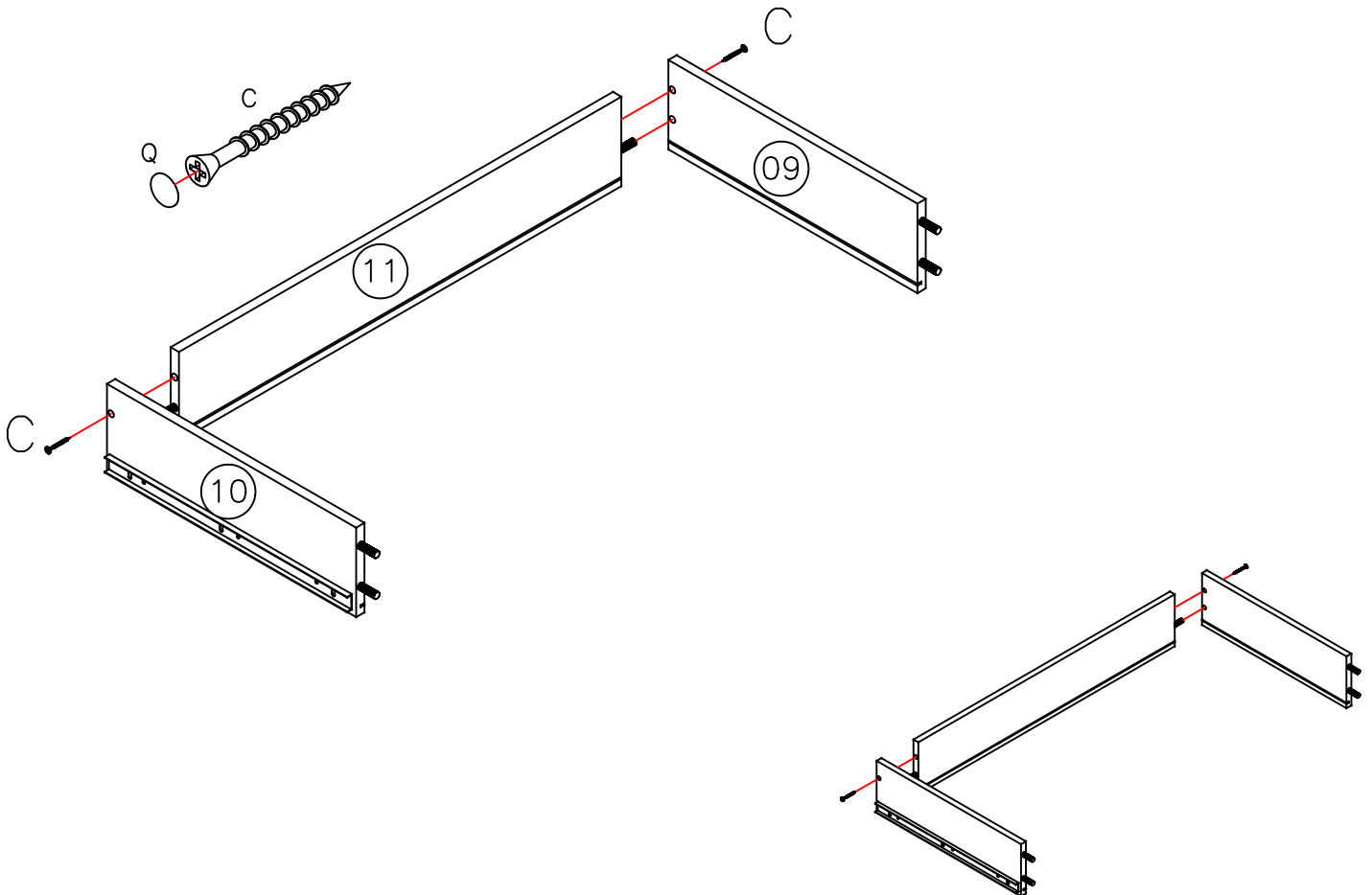


2

## Drawers Mounting

This process is repeated twice

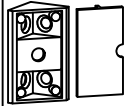

C		4
Q		4

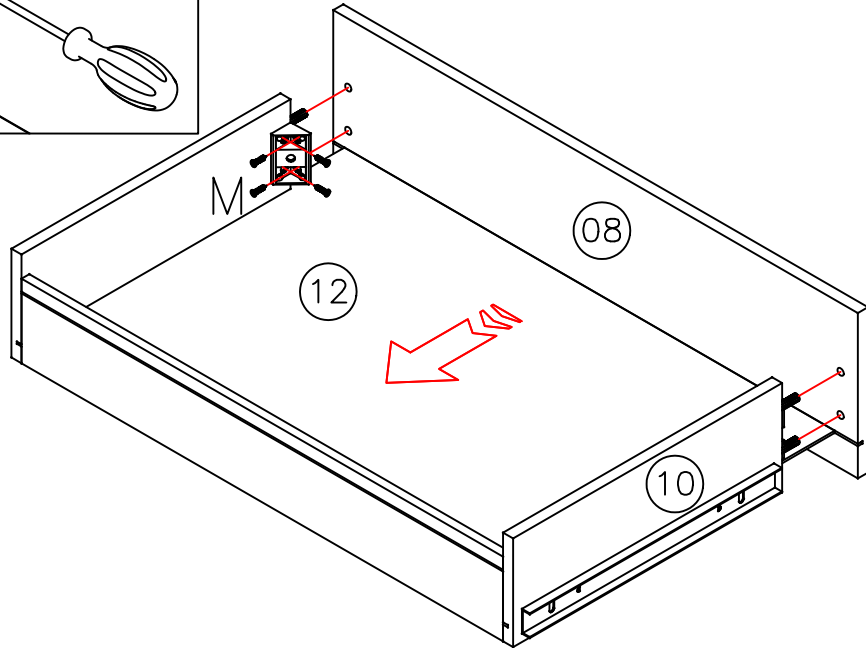
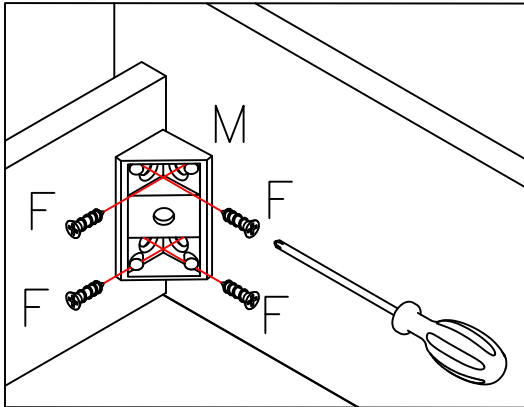


3

### Drawers Mounting

This process is repeated twice

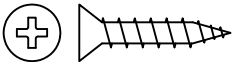
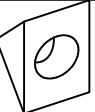
M		4
F		16

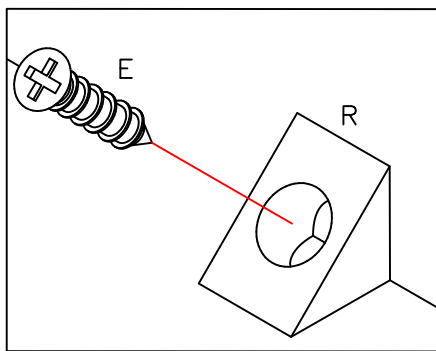


4

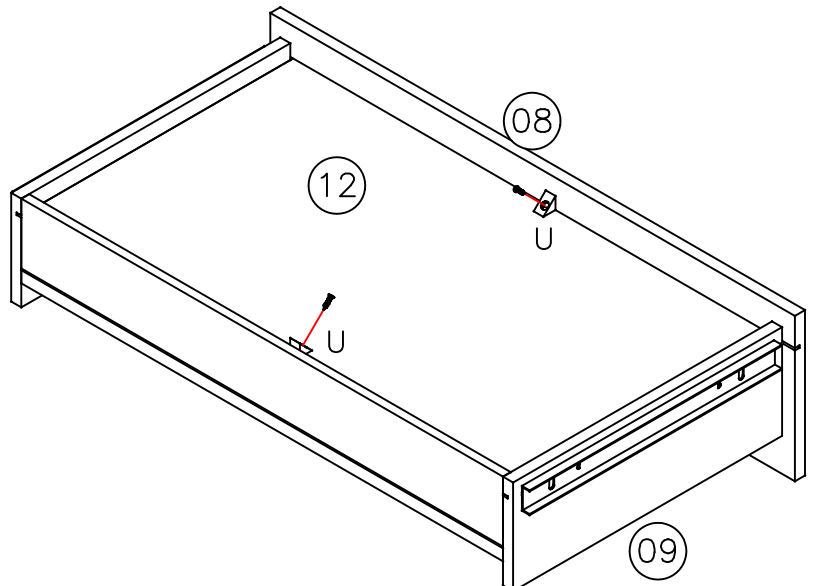
### Drawer final assembly

This process is repeated twice

E		4
R		4



If you have any further questions regarding the assembly of the drawer, access the website through the QR CODE

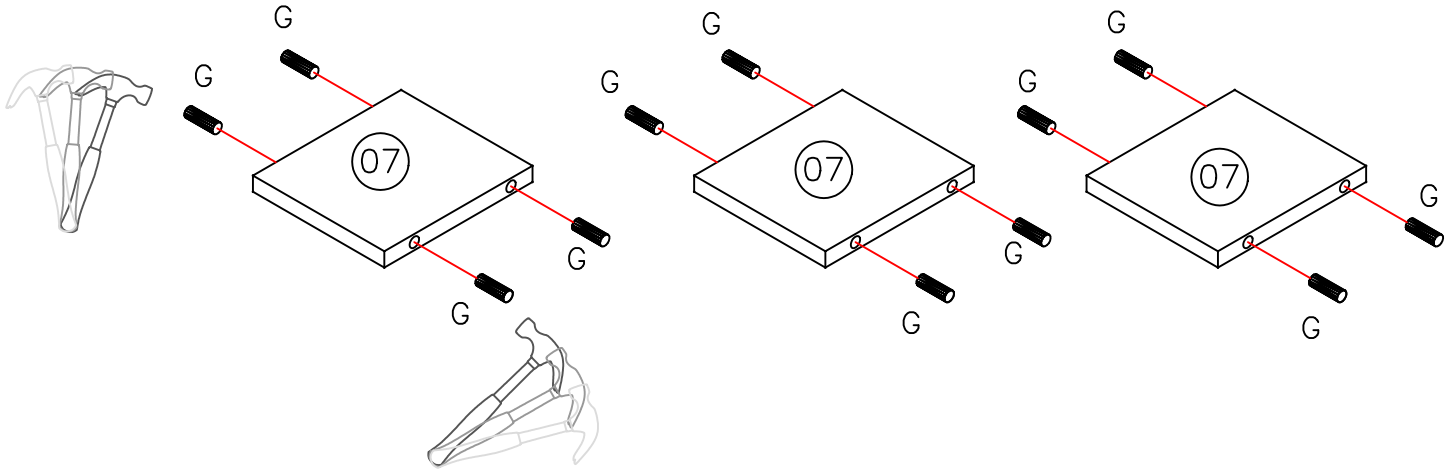
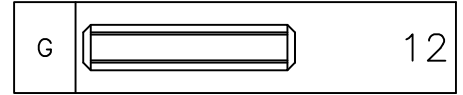




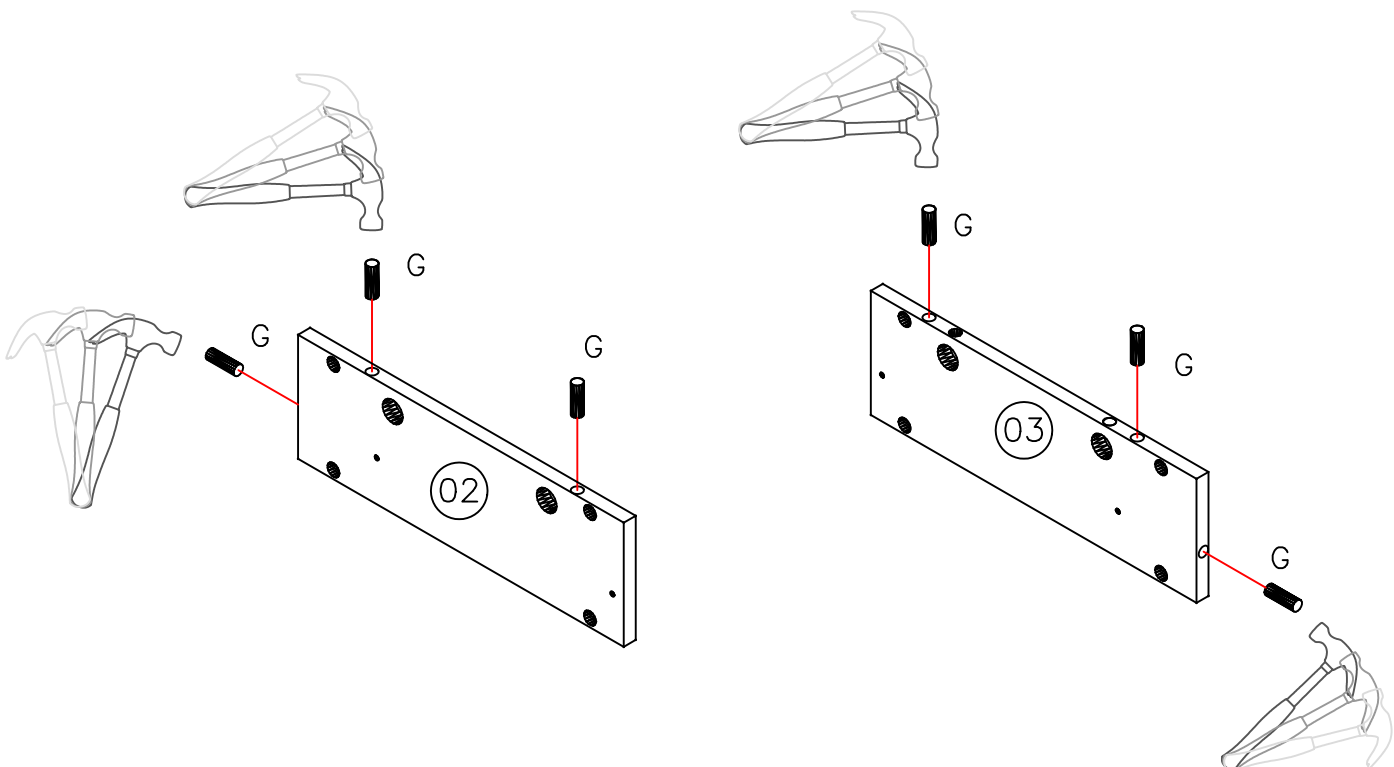
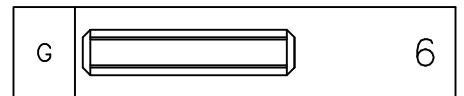
5

### Preassembly of parts

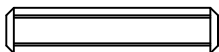
This process is repeated three times

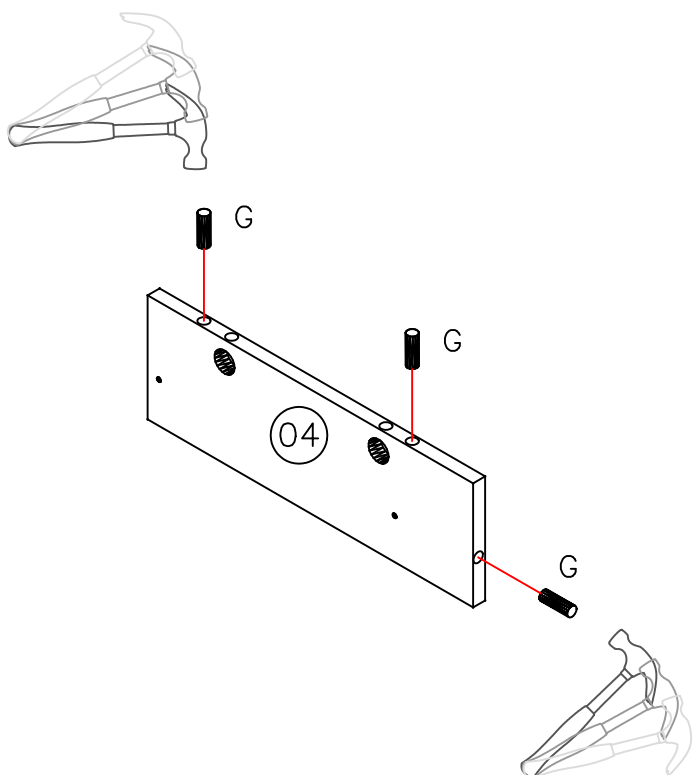


6





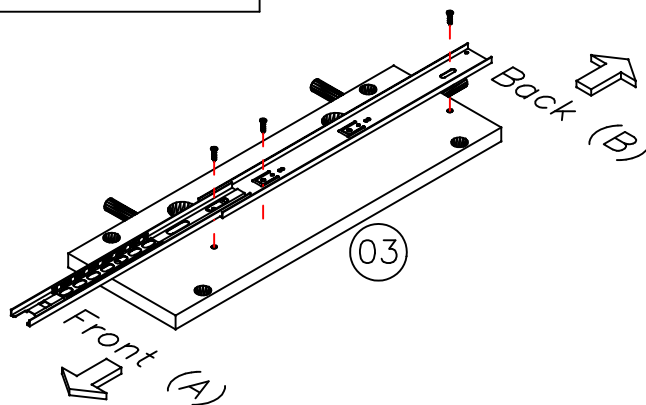
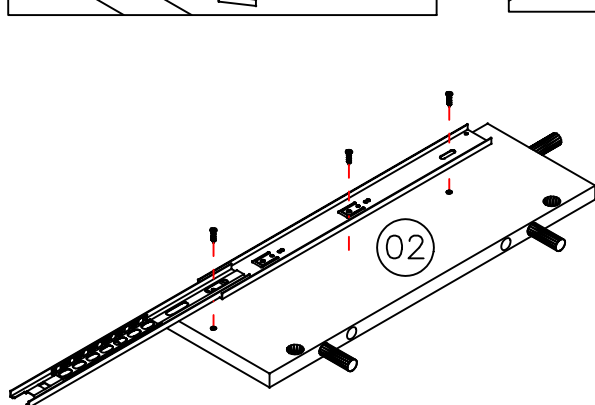
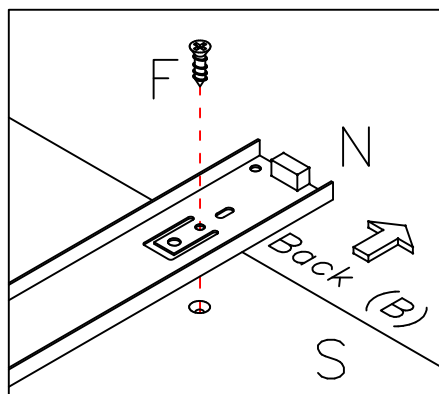
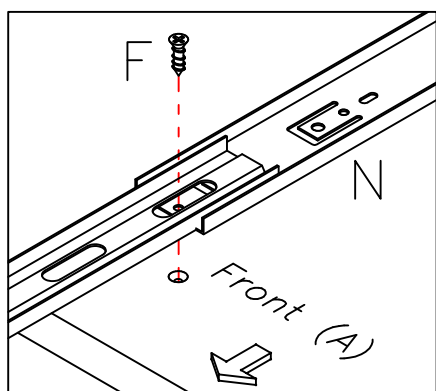
7

G		3
---	---	---

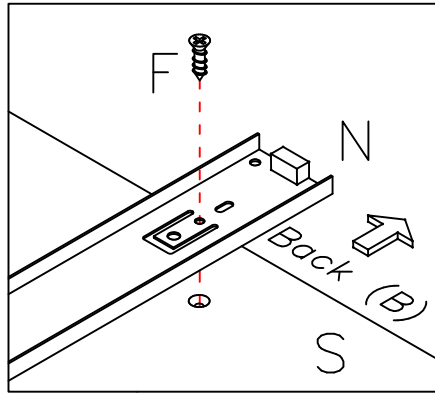
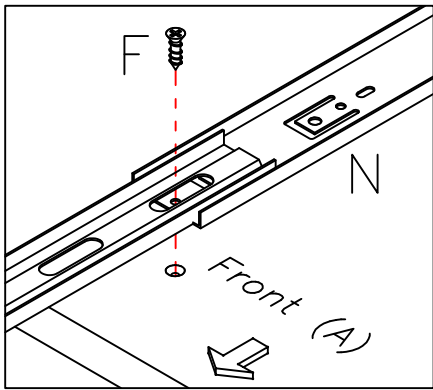
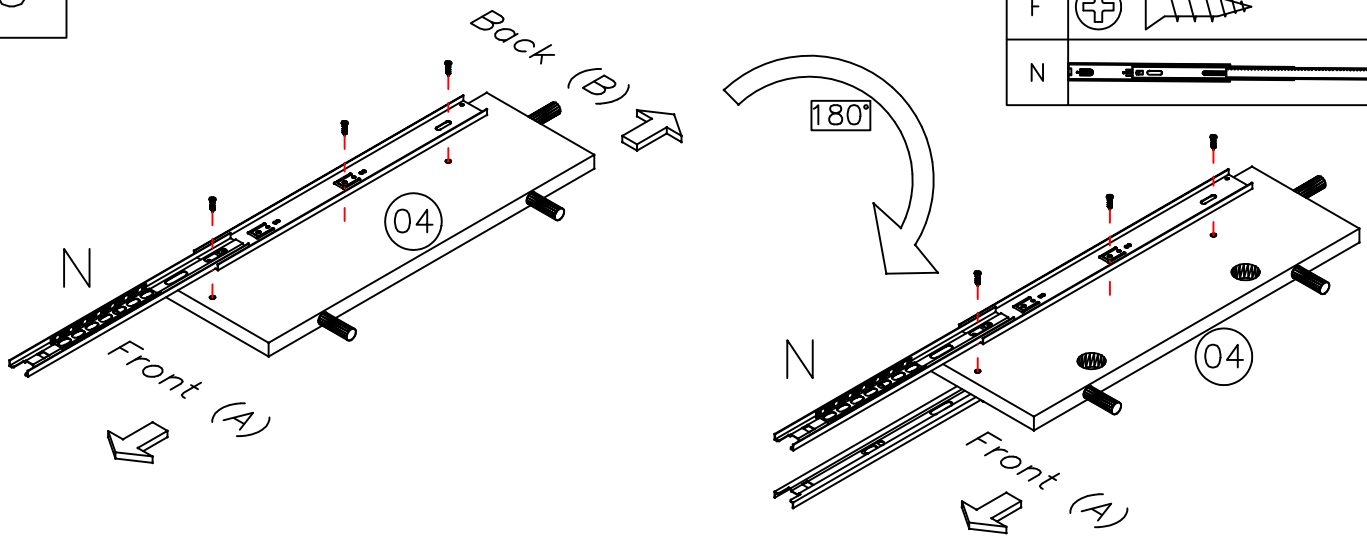


8

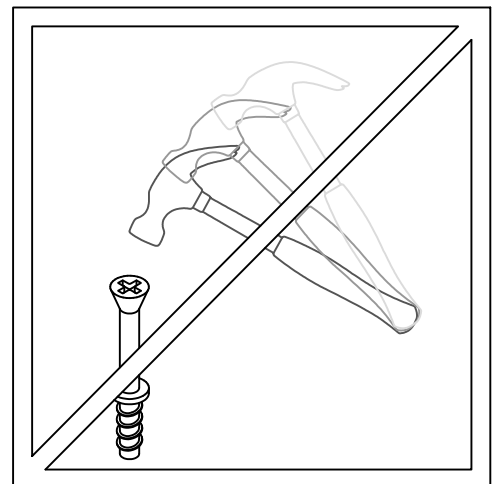
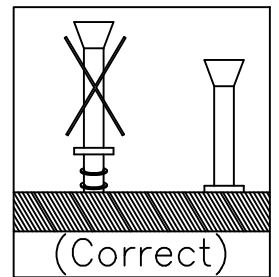
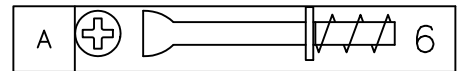
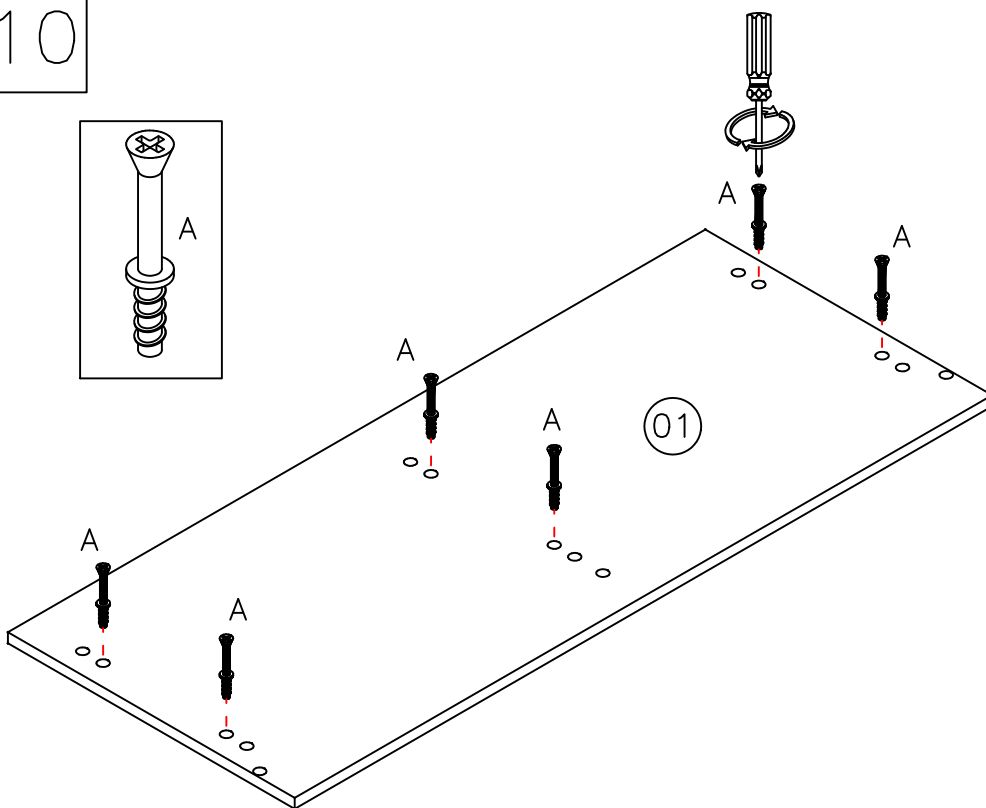
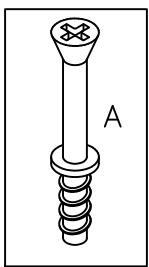
F		6
N		2



9





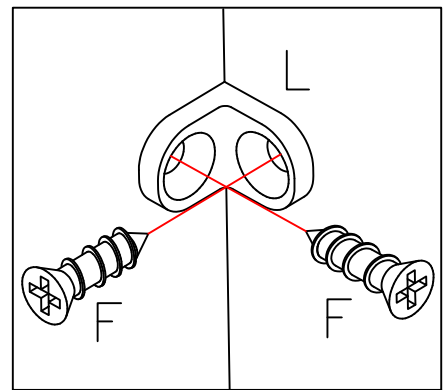
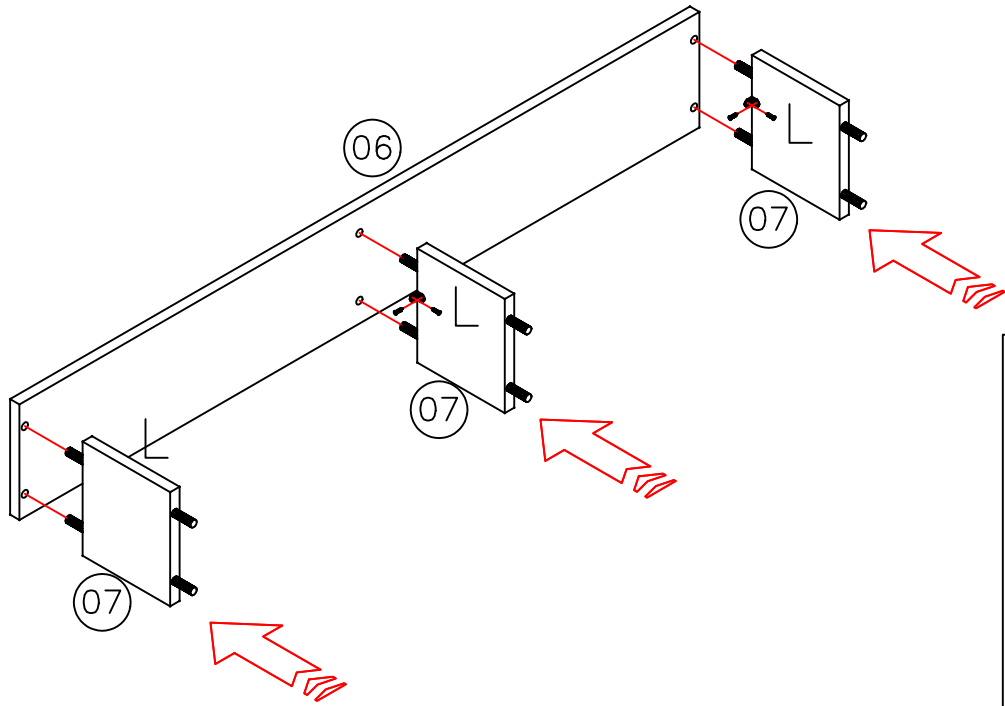
10




11

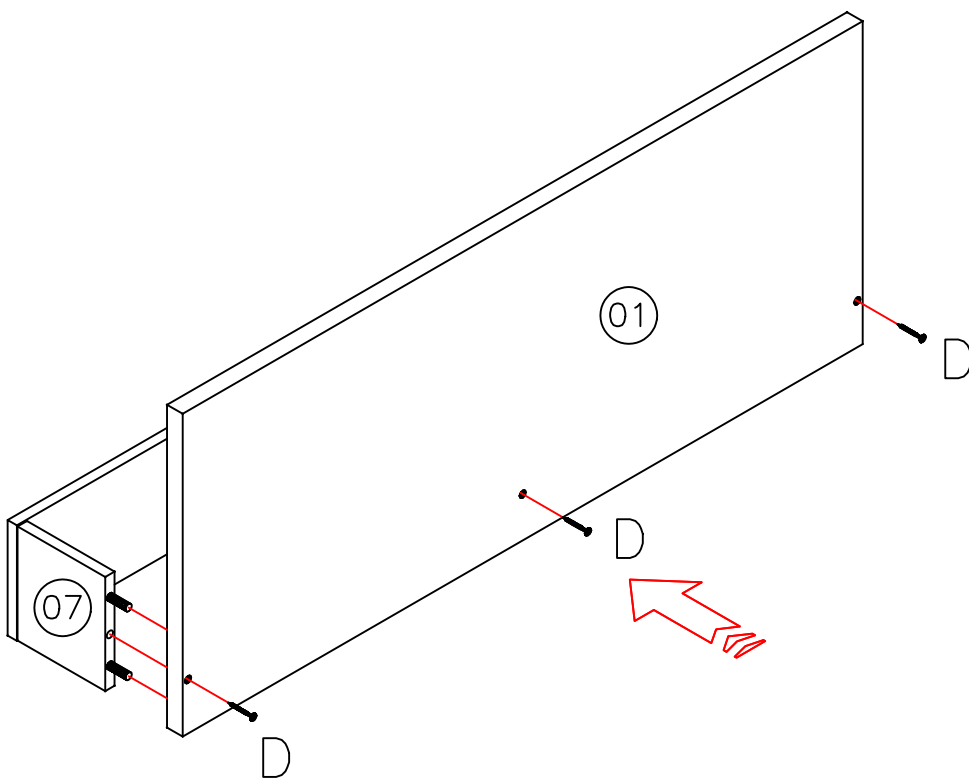
Product assembly

F		6
L		3

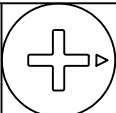
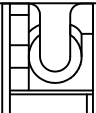
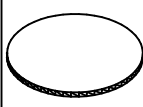


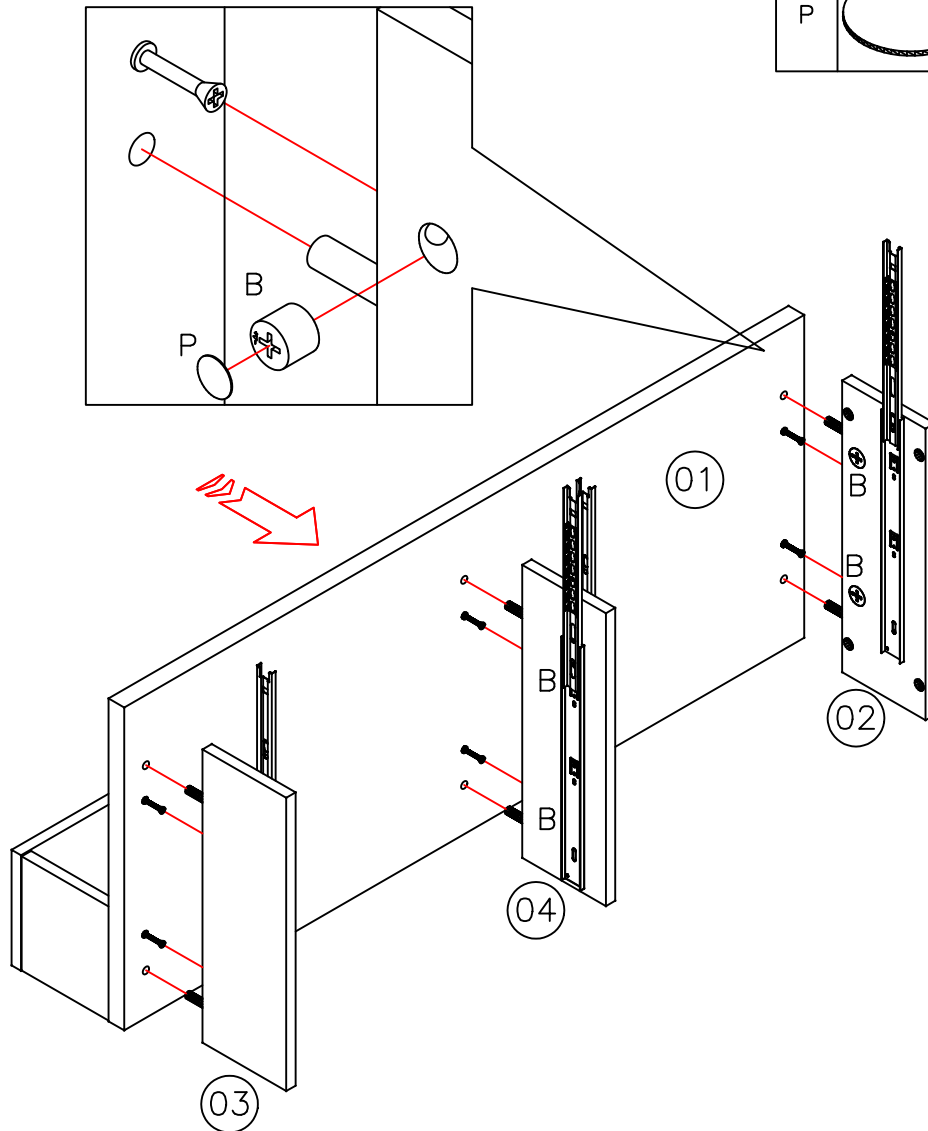
12

D		3
---	--	---

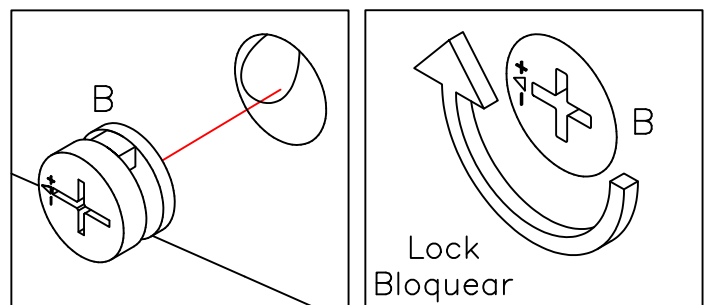
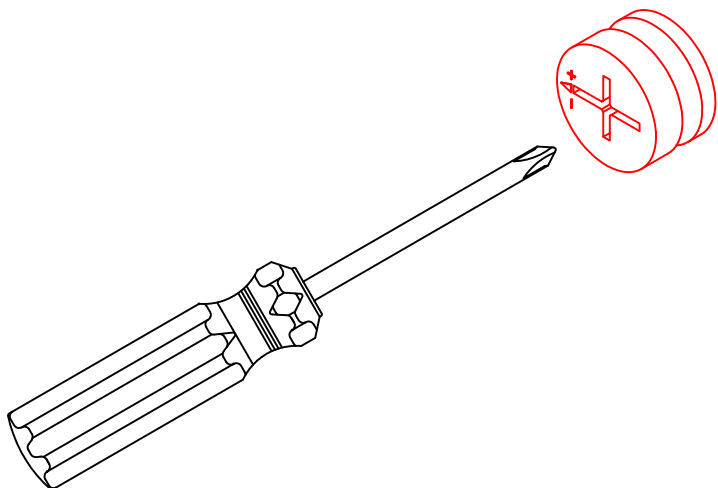


13

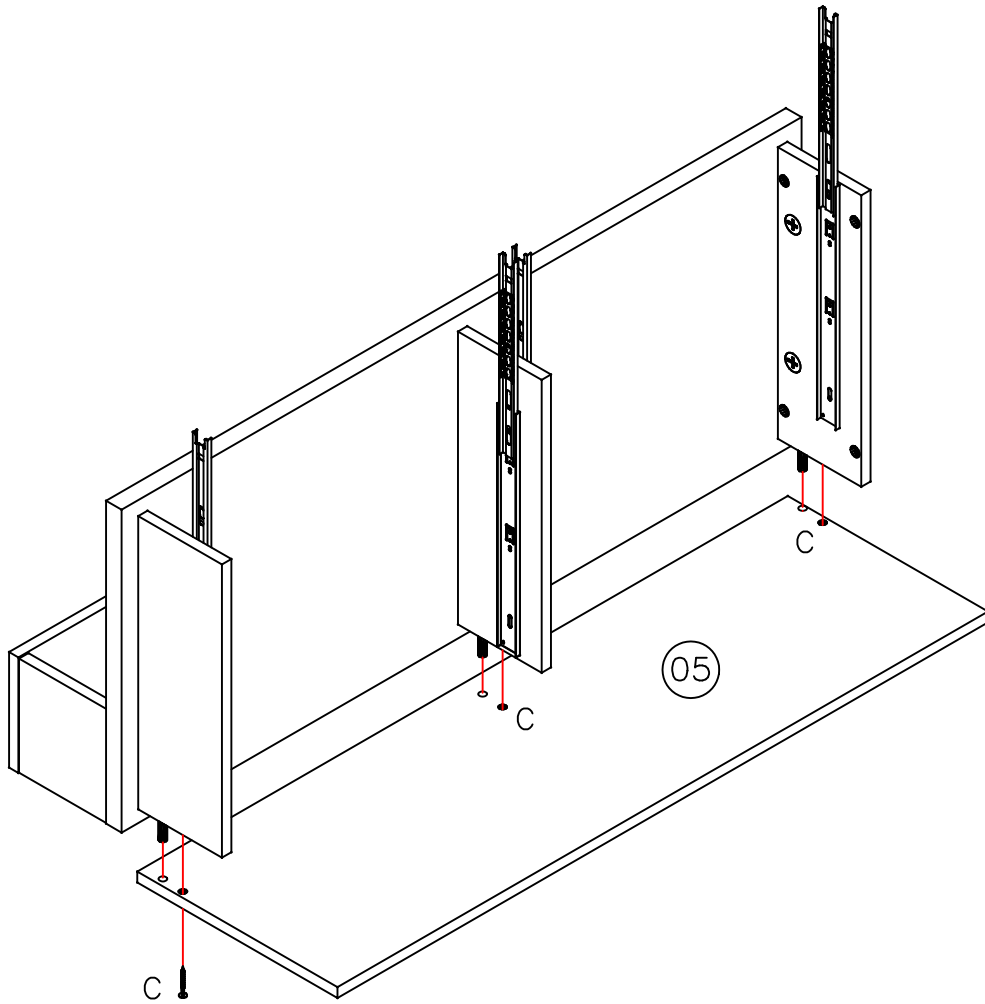
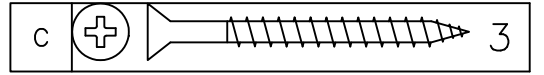
B			6
P			6



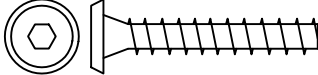
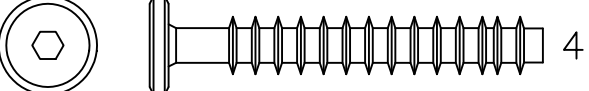

Proper orientation

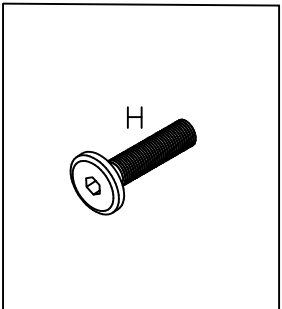
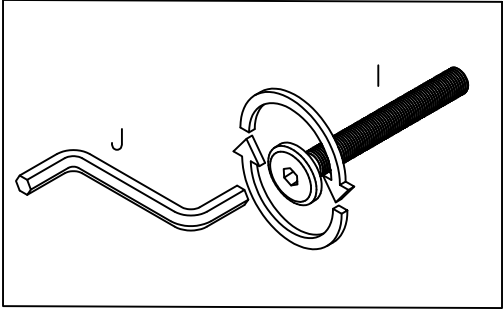
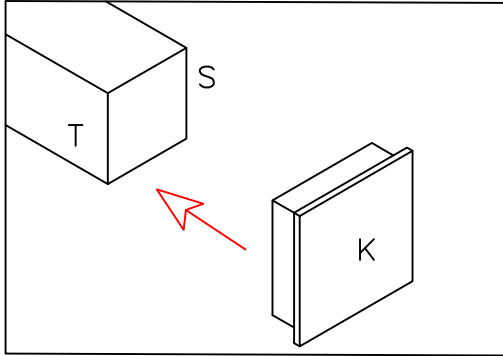
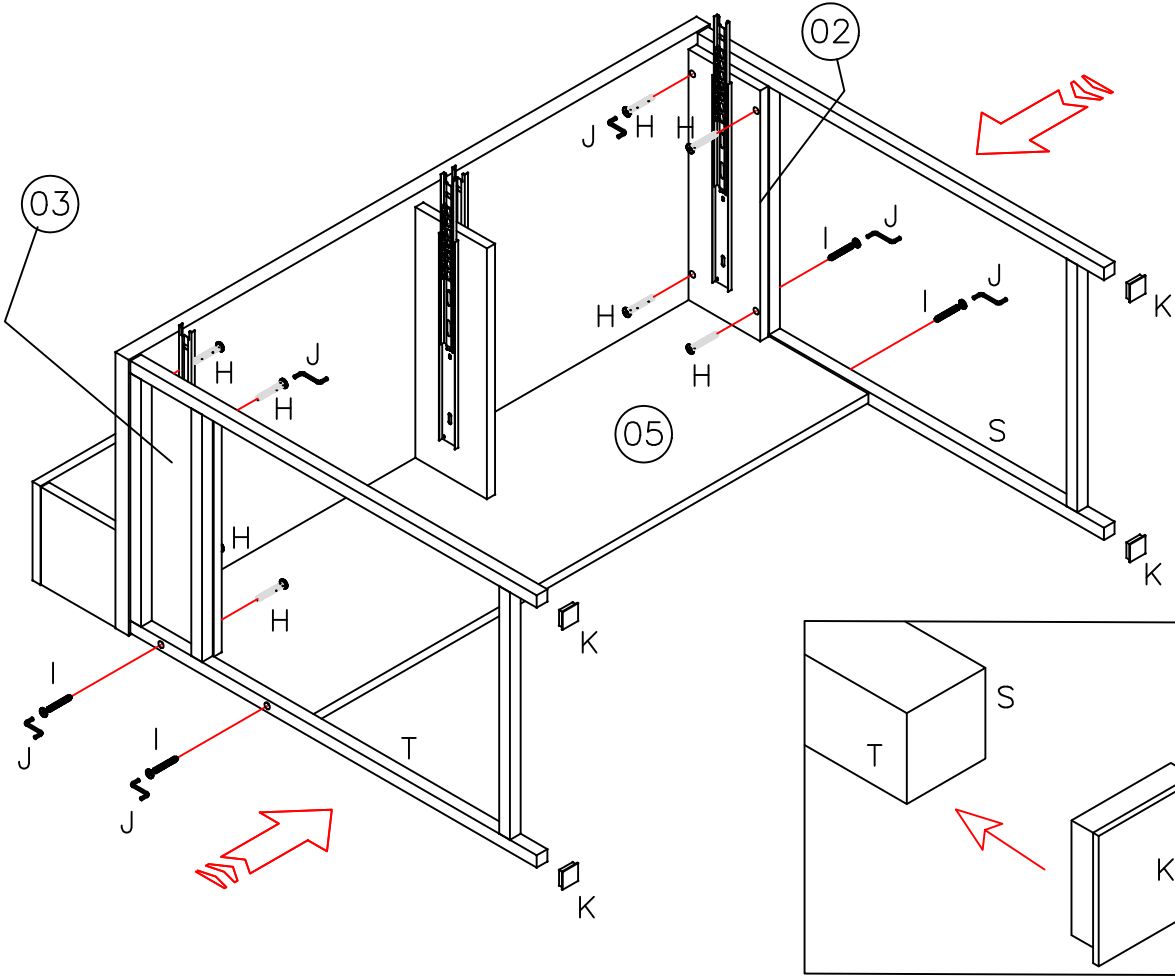


14



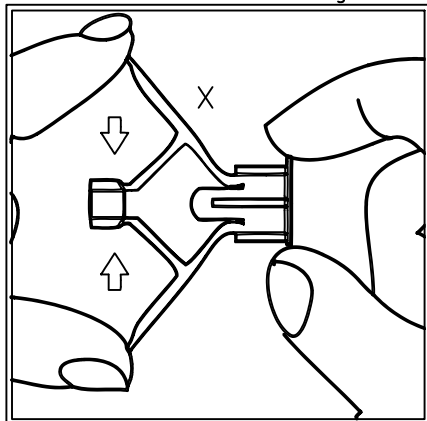
15

H		8
I		4
J		1

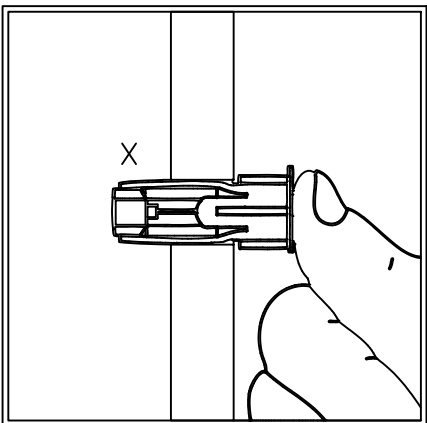


**16** NOTE: Do not turn the DRYWALL ANCHOR into a wall stud. If you prefer to fasten the SAFETY ANTI-TIPPING to a wall stud, go to your local hardware store for proper hardware.

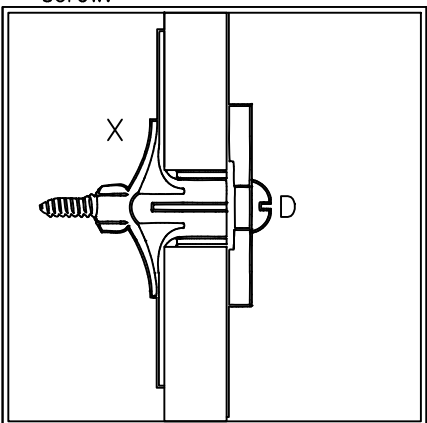
Compress the wings of anchor before inserting.



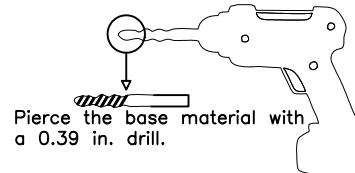
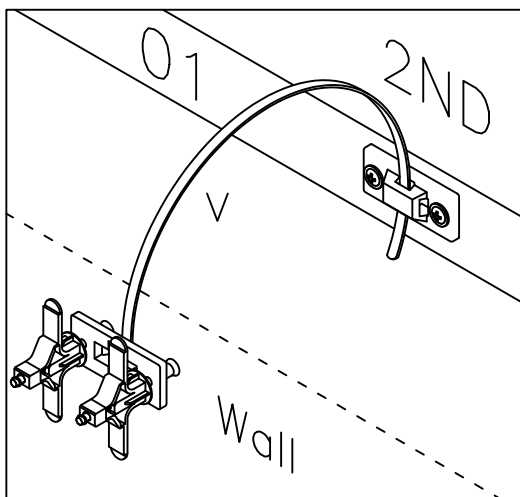
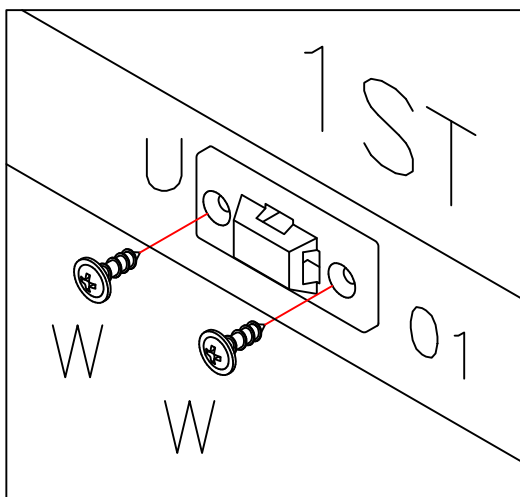
Insert the chuck into the hole of the base material.



Position the object over the bushing and secure it with a screw.



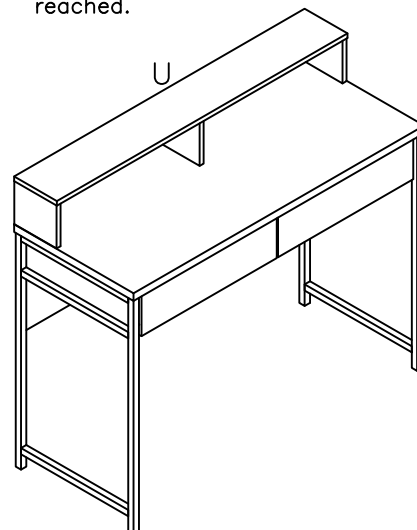
Anti-tipping installation			
U		Mounting bracket	2
V		Clamp	1
D		Screw 4,5x50	2
W		Screw 3,5x16	2
X		Anchor	2



Pierce the base material with a 0.39 in. drill.

**Important**

- The minimum length of the screw must be the bushing length + object thickness that will be fixed.
- To guarantee the wing expansion function of the bushing, after the screw head is at the object to be fixed, one must continue to rotate the screw until maximum torque is reached.



**▲ WARNING – Anti-Tip Advisory**

Potential of serious fatal crushing injuries may occur from furniture tip-over. To help prevent tip-over:

ALWAYS INSTALL the tip-over restrain that came with your furniture. This tip-over restrains only reduces but does NOT completely eliminate the risk of tip-over

- ALWAYS Place the heaviest items in the lowest/bottom drawer.
- NEVER place TV's or other heavy objects on top of this product.
- NEVER allow children to scale/climb/hang on the drawers, doors, or shelves.
- NEVER open more than one drawer at a time.

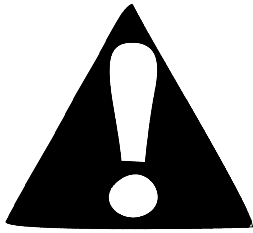
**B ADVERTENCIA – Aviso antivuelco**

Pueden producirse lesiones graves por aplastamiento mortales debido al vuelco de los muebles. Para ayudar a prevenir vuelcos:

- o SIEMPRE INSTALE el sistema de retención que viene con sus muebles. Este sistema antivuelco solo reduce pero NO elimina por completo el riesgo de vuelco.
- o SIEMPRE coloque los artículos más pesados en el cajón más bajo /inferior.
- o NUNCA coloque televisores u otros objetos pesados encima de este producto.
- o NUNCA permita que los niños escalen, trepen o se cuelguen de los cajones, puertas o estantes.
- o NUNCA abra más de un cajón a la vez

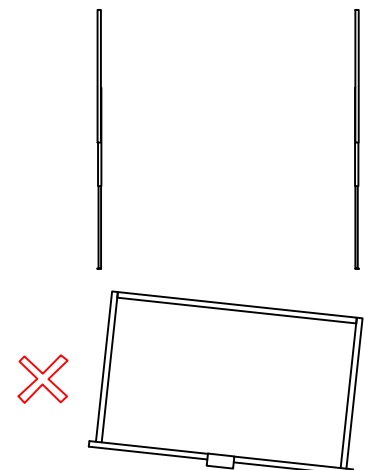
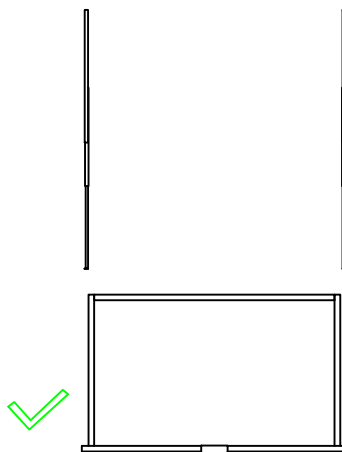
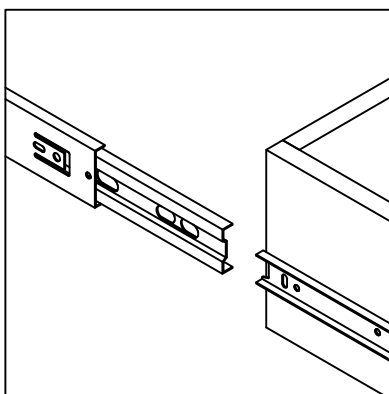
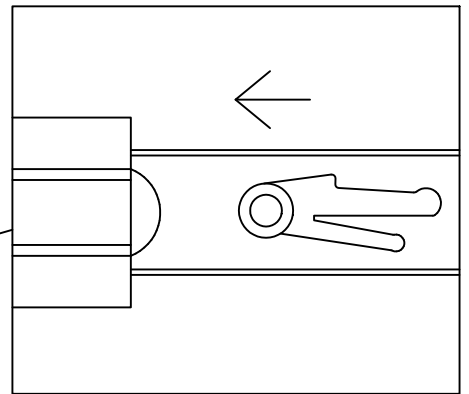
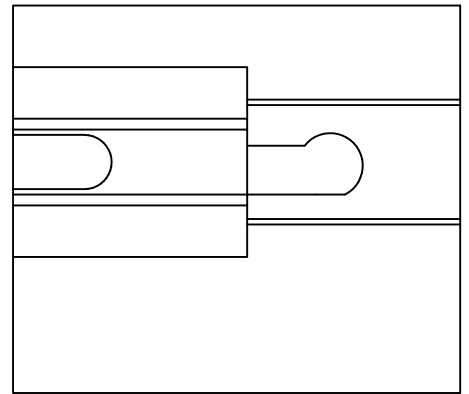
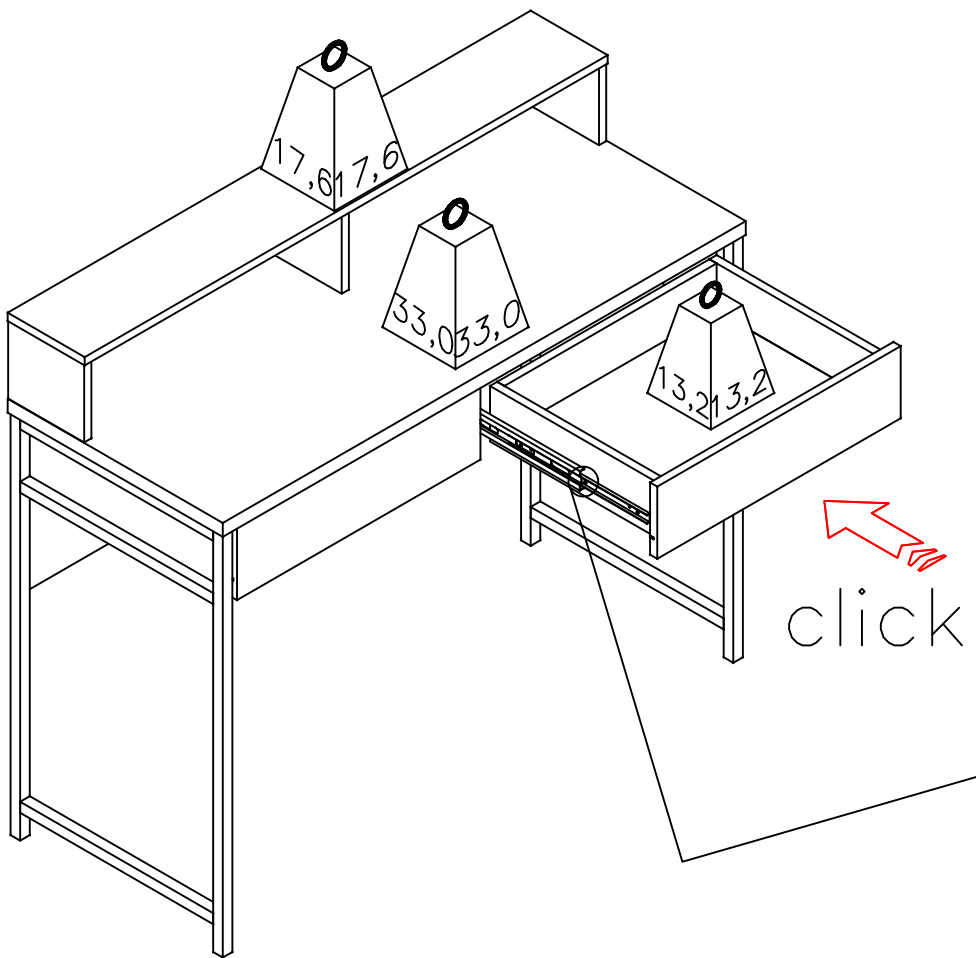


17



## Drawer installation

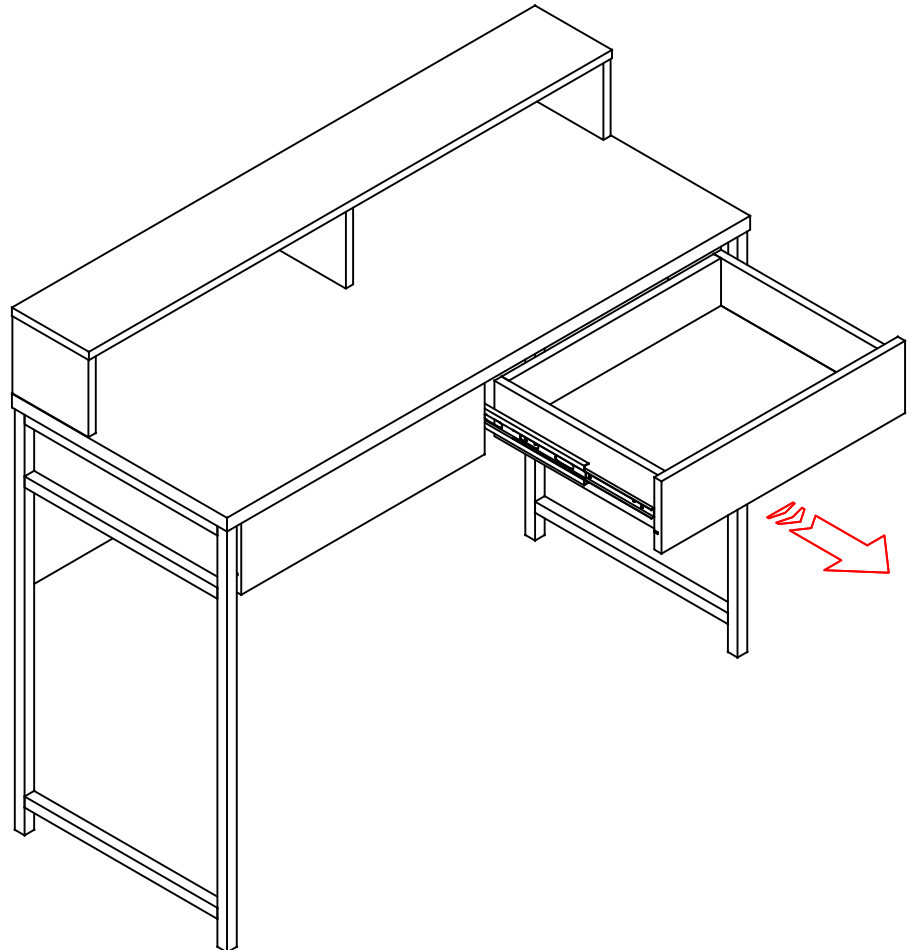
Insert the slide into the profile and close the drawer to finish locking the clip.





# Drawer Removal

Open the drawer completely. Unlock the side clips, then pull out the drawer.



Observe the position of the side clips for disassembling the side

