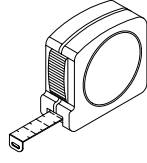
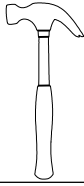
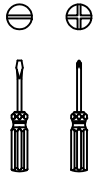
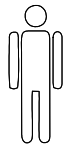


ASSEMBLY INSTRUCTIONS

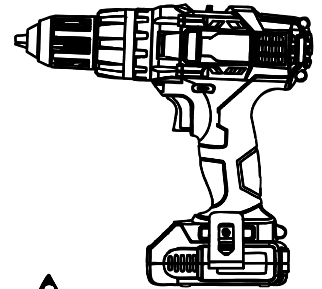
01/17
EU025



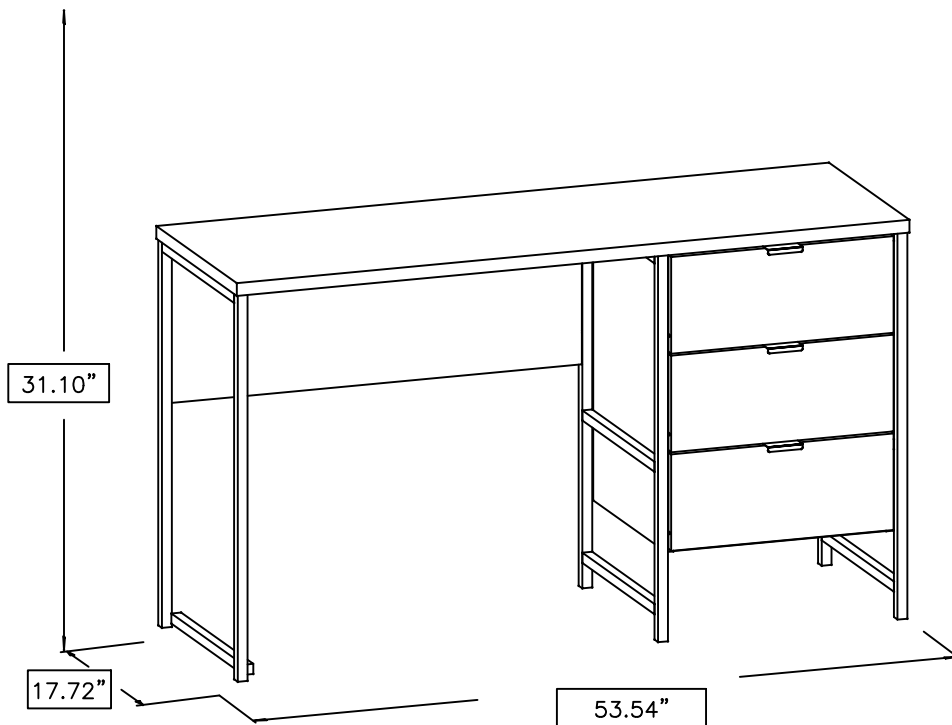
Warning –
CHOKING HAZARD – Small Parts Not for children under 3 years. Adult assembly required.



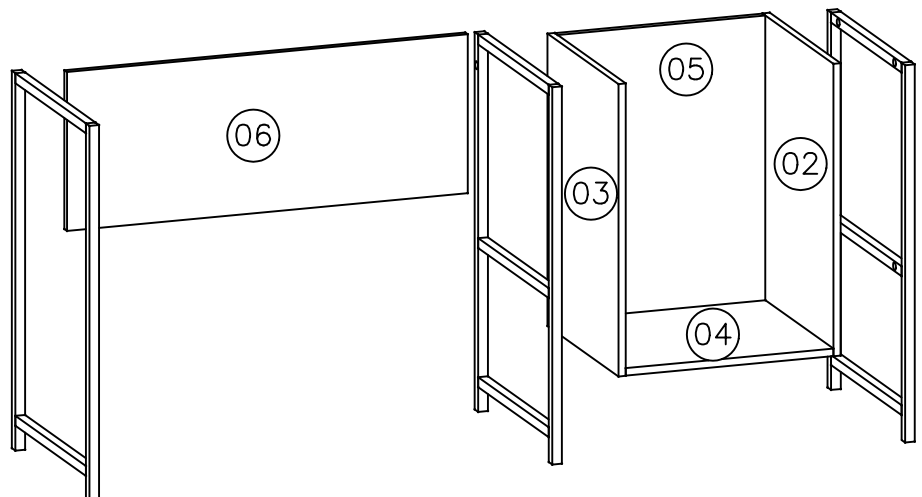
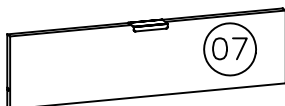
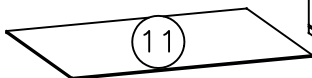
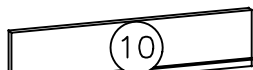
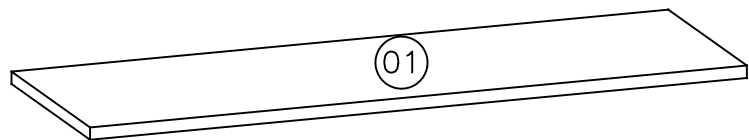
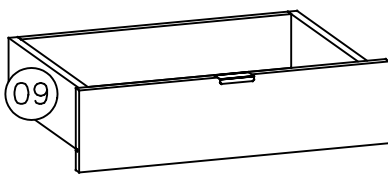
90mins



Although not required, it is recommended that a drill be used to help ease the assembly process, as some holes are not pre-drilled.



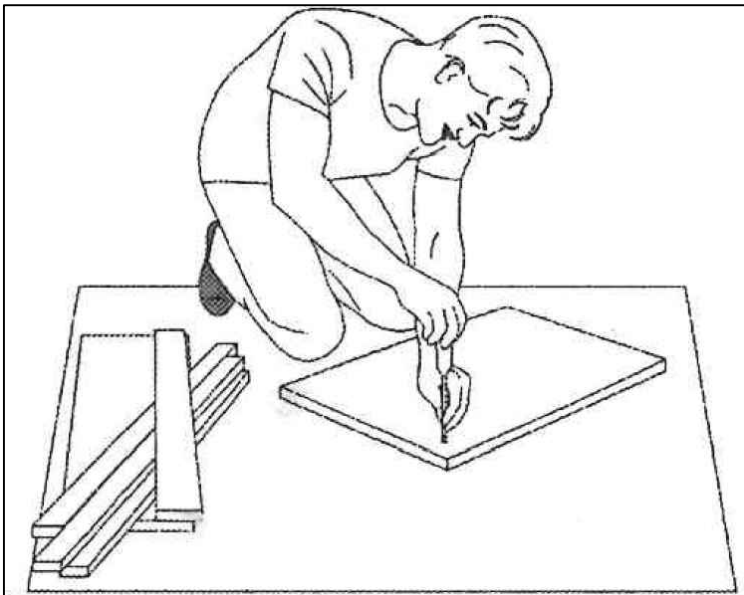
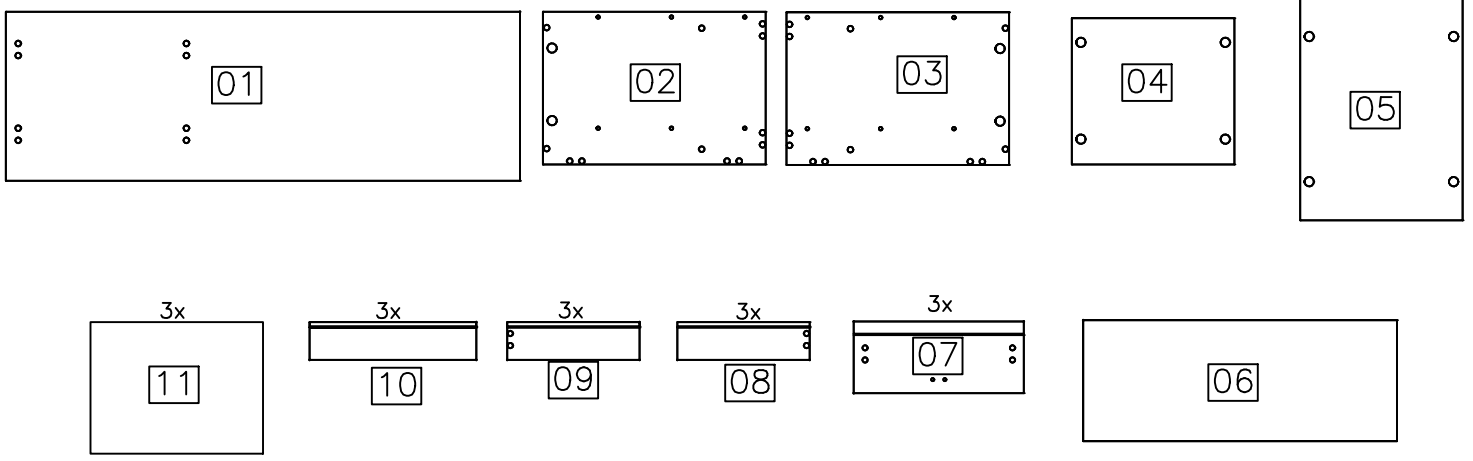
Part Identification



List of pieces

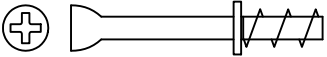
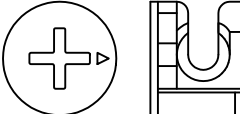
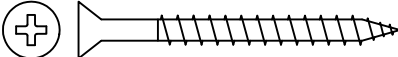



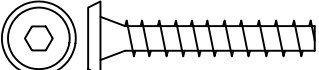
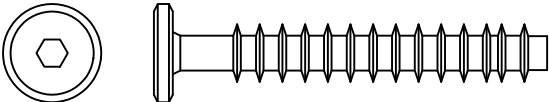
Code	Description	Amount	Length (in.)	Width (in.)	Thickness (in.)	Box
01	Top panel	1	53.54"	17.60"	.98"	A
02	Right side	1	23.19"	15.91"	.59"	A
03	Left side	1	23.19"	15.91"	.59"	A
04	Base	1	16.93"	15.24"	.59"	A
05	Back panel	1	23.11"	16.93"	.59"	A
06	Strengthening	1	32.68"	12.60"	.59"	A
07	Front drawer	3	17.72"	7.48"	.59"	A
08	Right drawer side	3	13.78"	5.51"	.59"	A
09	Left drawer side	3	13.78"	5.51"	.59"	A
10	Back drawer	3	14.76"	5.51"	.59"	A
11	Bottom drawer	3	15.28"	13.70"	.12"	A

Prior to assembly, please ensure that all the Panels listed below are complete. If any pieces are missing or damages, please contact us directly at our Email CS@K1intlgrp.com or Toll-free 1-877-250-2820




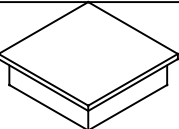
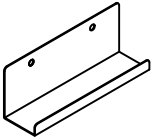
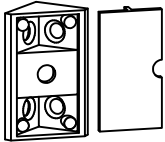
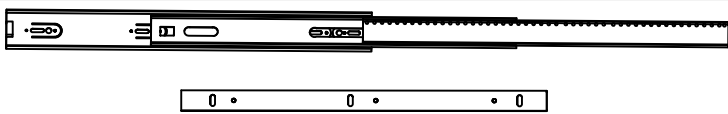
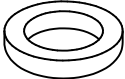
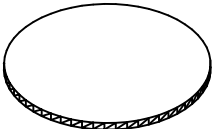
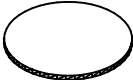
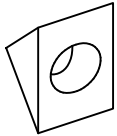
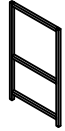


It is recommended the use of the box in which your furniture arrived in, be opened, and laid out on the floor as your work area. This helps prevent an unnecessary damages from occurring.

T
O
S
S
A
L
E

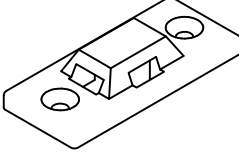
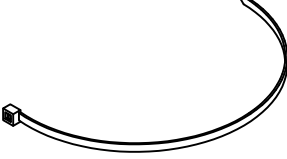
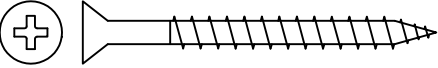

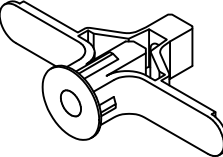
Hardware			
	Code	Description	Amou.
A	30945	 Cam Screws	12
B	30950	 Cam Locks	12
C	226	 Screw 4x40	8
D	5256	 Screw 4x20	6
E	4214	 Screw 3,5x14	66
F	1802	 Dowel 6x30mm	36
G	9619	 estructural/ Structural screw 1/4x30	8
H	167	 estructural/ Structural screw 7x50	4



NOTTOSCALLE


I	248		Allen key 1/4"	1
J	2087		Handle pointer Black	6
K	54043		Handle Off white 70mm	3
L	OW= 7373 (Bianca)		Plastic ledge with cover	6
M	43136		Metal slide 350mm	3
N	OW= 15508 (Aspen)		CPL cover Aspen 13mm	4
O	OW= 53287 (Off White)		Tap hole 19mm	12
P	OW= 53286 (Off White)		Tap hole 13mm	6
Q	18458		Black triangular support	6
R	54040		Right side structure	1
S	54041		Central structure	1
T	54042		Left side structure	1

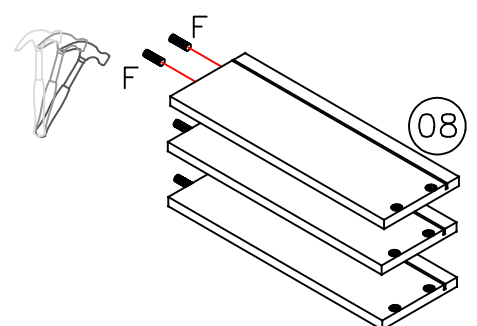


Anti-tipping installation			
U	55606		2 Mounting bracket
V	55607		1 Clamp
W	51980		2 Screw 4,5x50
X	1178		2 Screw 3,5x16 BC
Y	32069		2 Adapter sleeve
01 Saco médio para acessórios (Internal production data)			
01 Saco médio para puxador (Internal production data)			

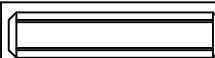


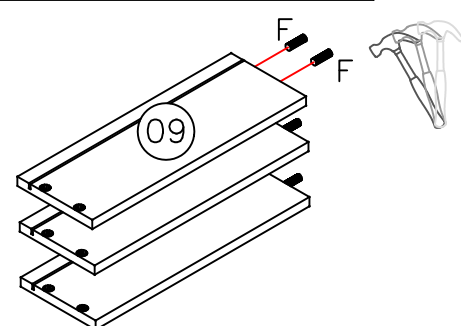
1A Drawer Preassembly
This process is repeated three times

F		6
---	---	---

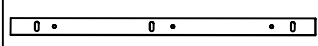



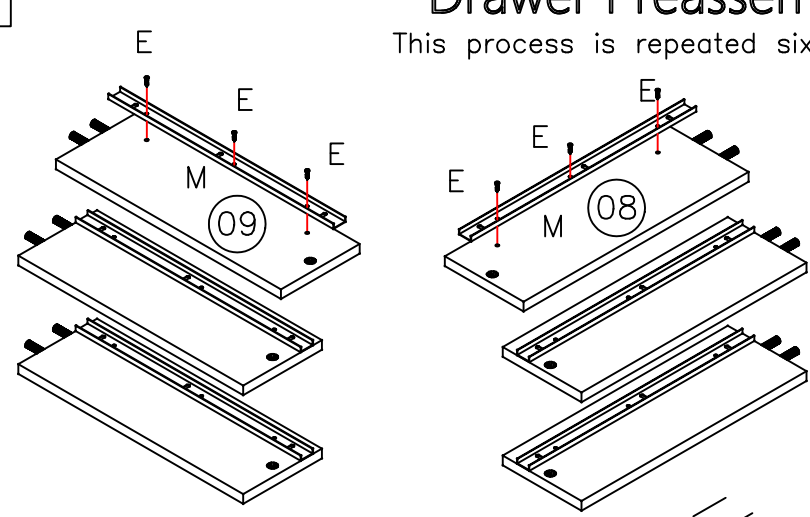
1B Drawer Preassembly
This process is repeated three times


F		6
---	--	---

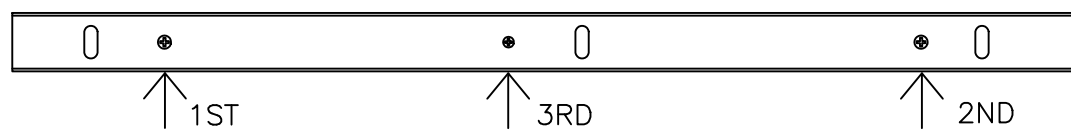


1C Drawer Preassembly
This process is repeated six times

M		6
E		18

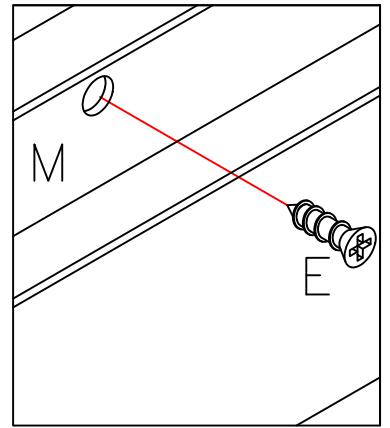
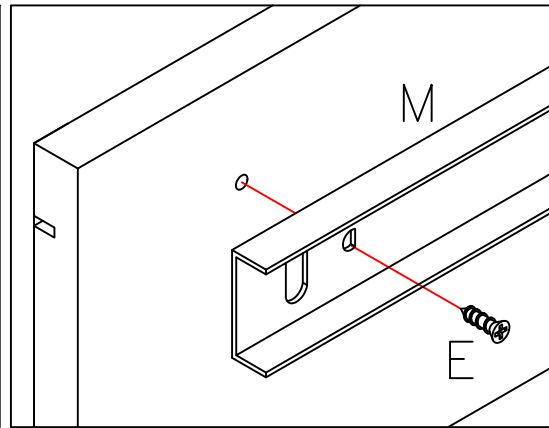
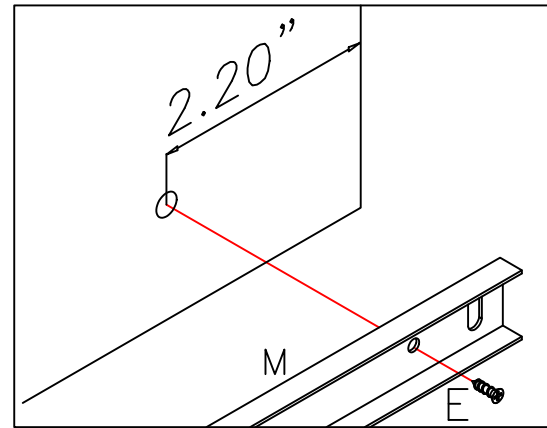


Correct position of the screws "E" 



To adjust the height of the drawer, the "E" screw must be placed in the oval horizontal spacing of the "M" rail

! 1ST **! 2ND** **! 3RD**

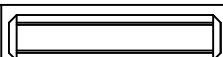


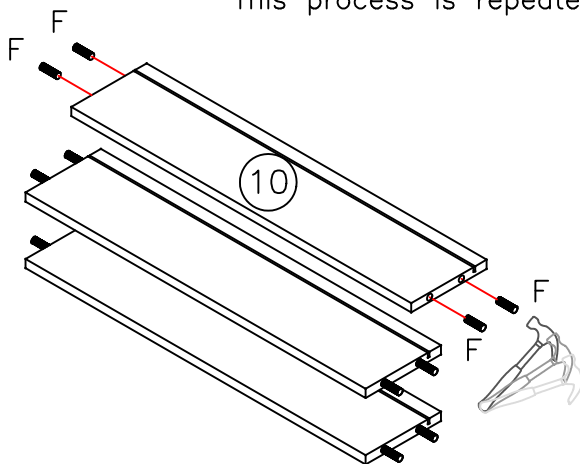
! Use the indent as a guide for installing the rails **!**

1D

Drawer Preassembly

This process is repeated three times

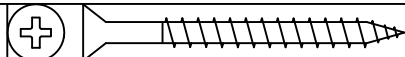
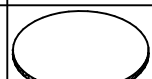
F		12
---	---	----

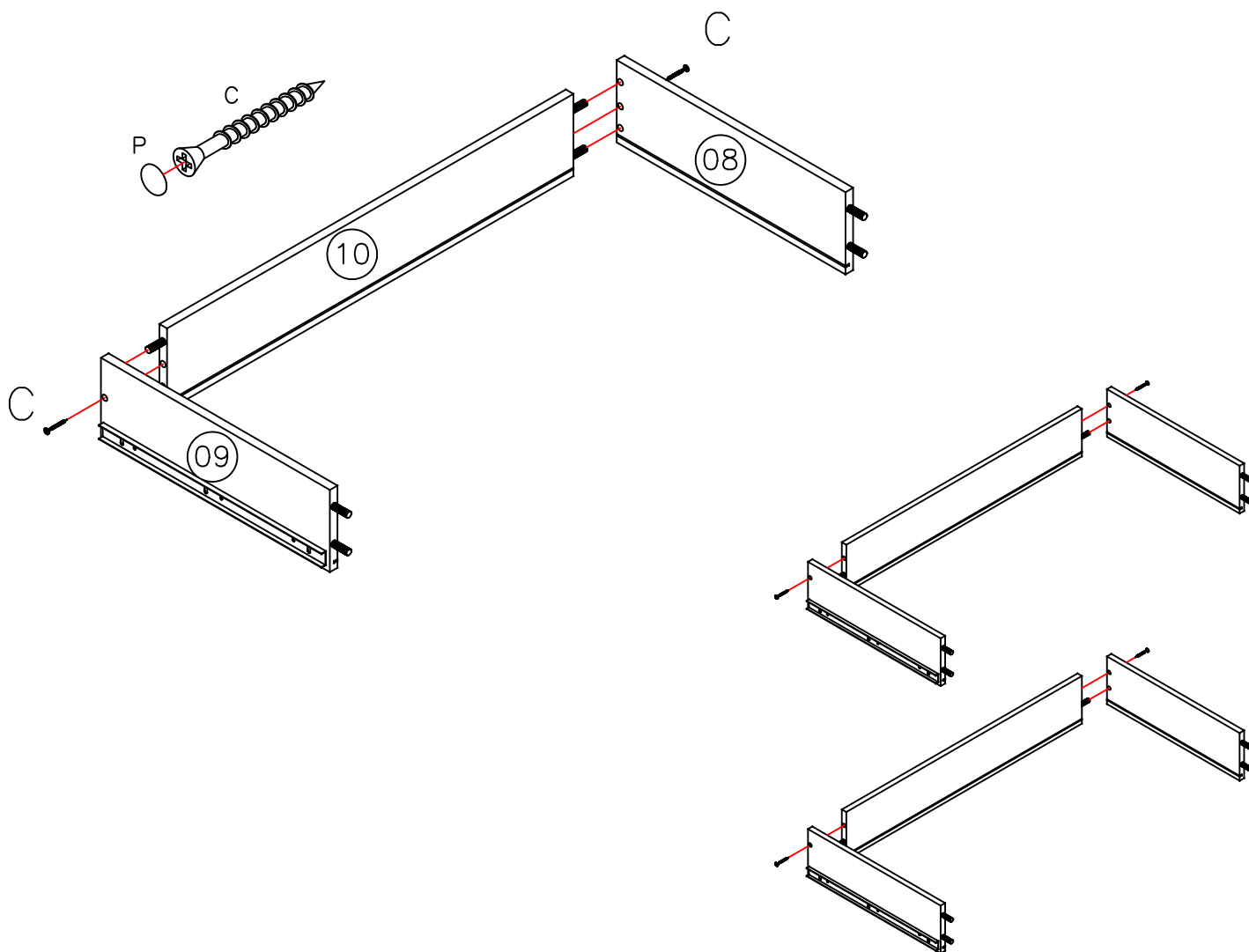


2

Drawers Mounting

This process is repeated three times

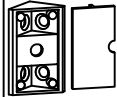

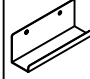
C		6
P		6

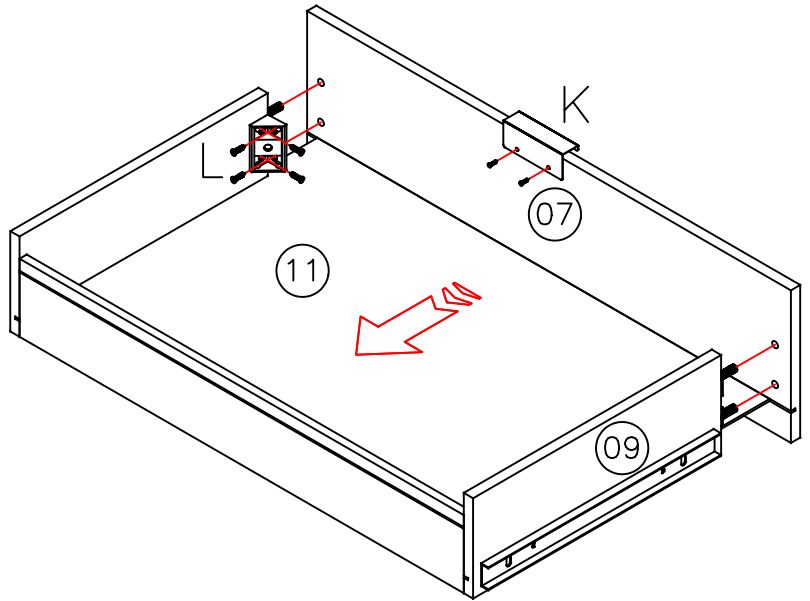
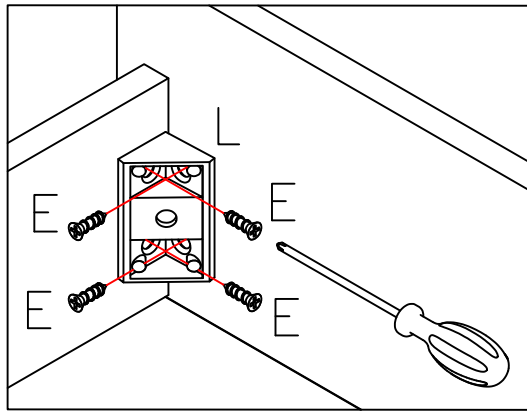
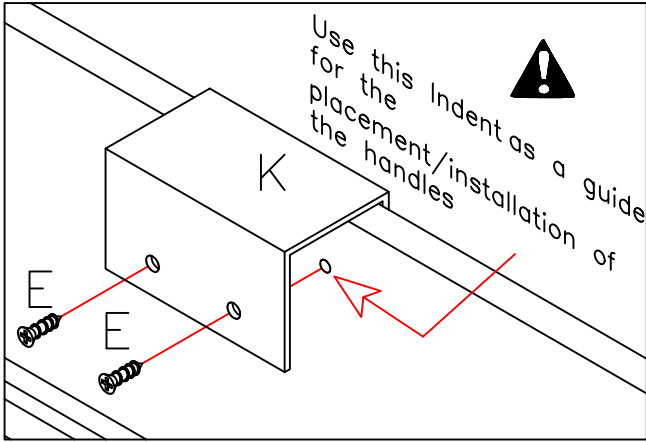


3

Drawers Mounting

This process is repeated three times

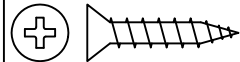
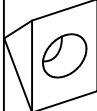
L		6
E		30
K		3

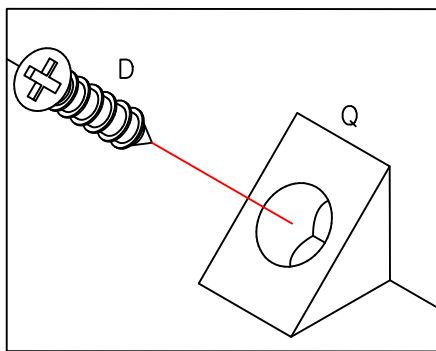


4

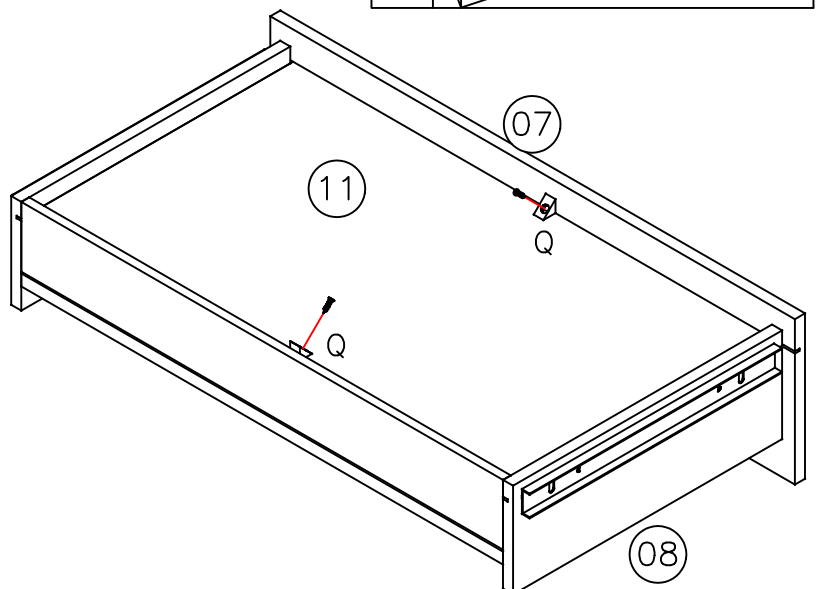
Drawer final assembly

This process is repeated three times

D		6
Q		6

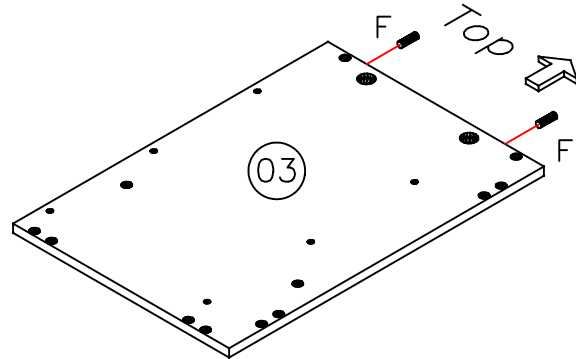
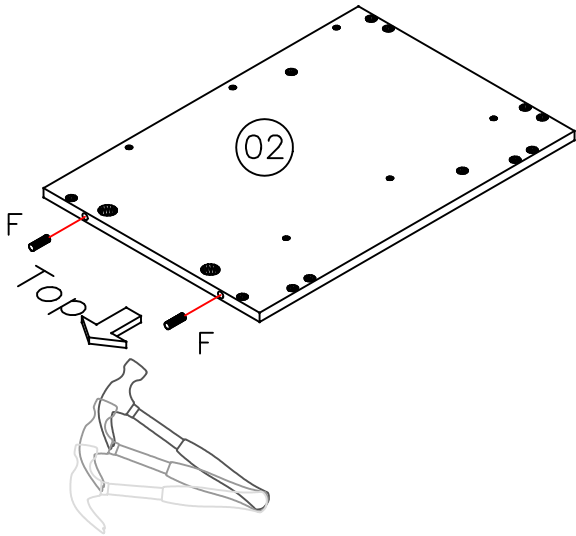
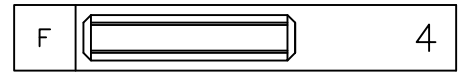


If you have any further questions regarding the assembly of the drawer, access the website through the QR CODE

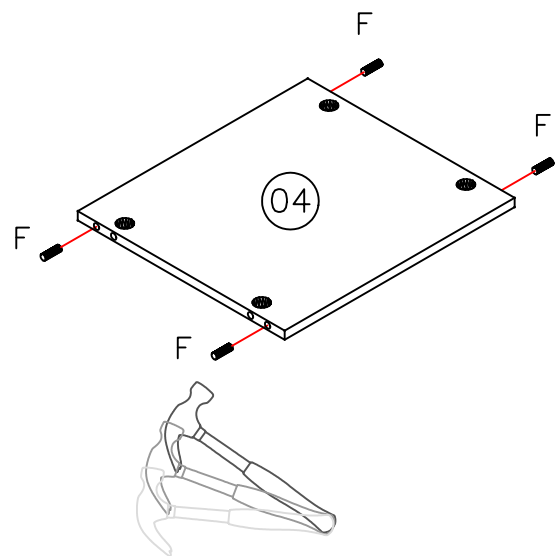
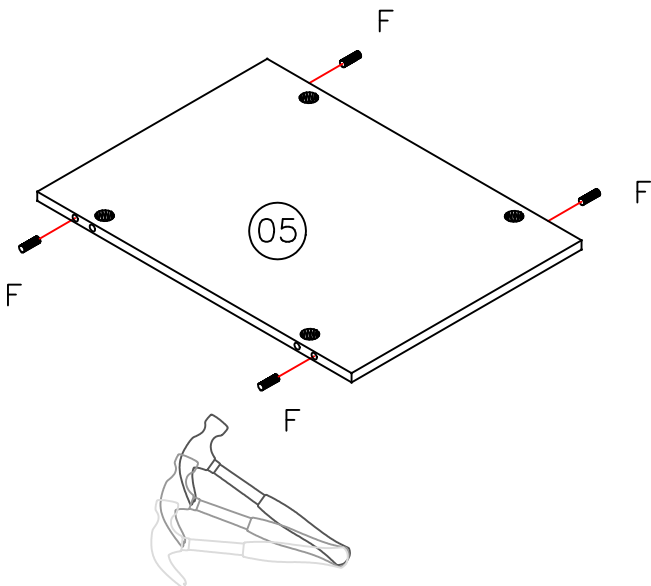
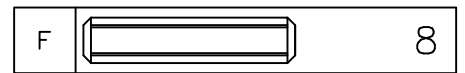


5

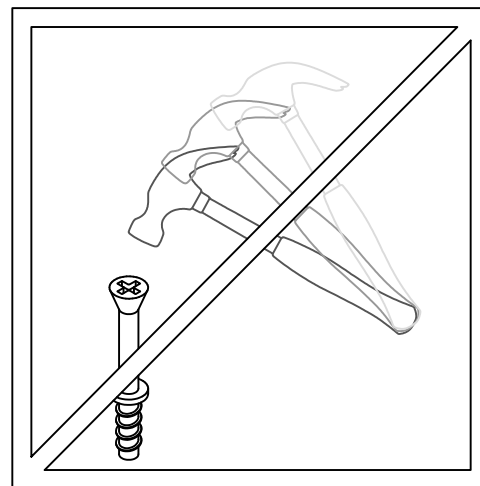
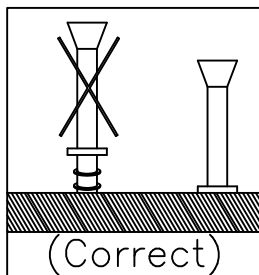
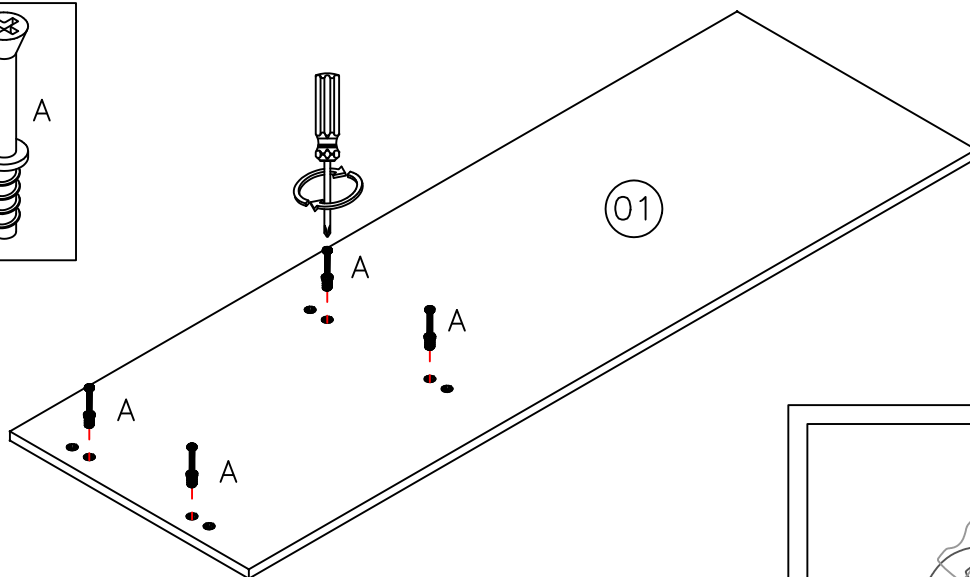
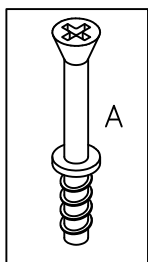
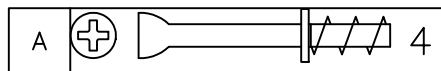
Preassembly of parts



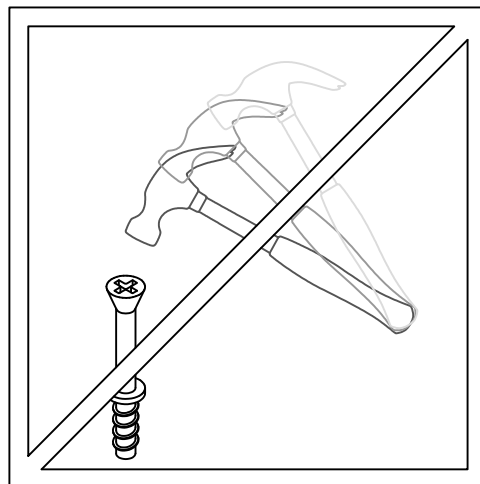
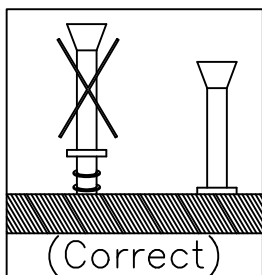
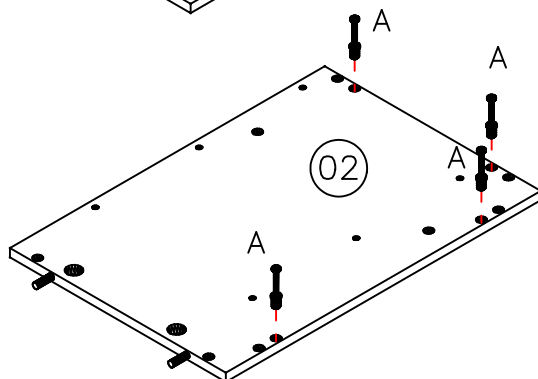
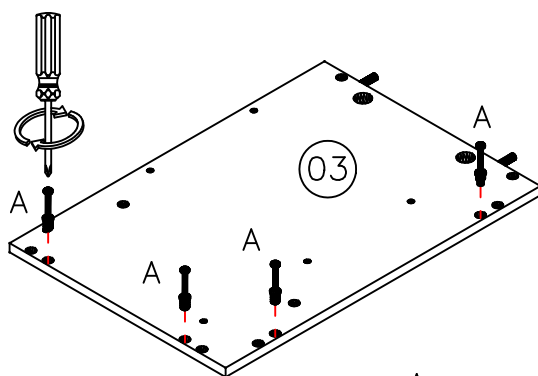
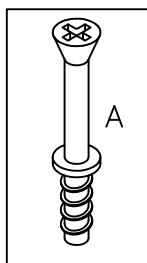
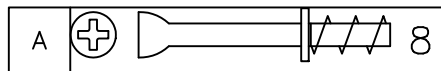
6





7

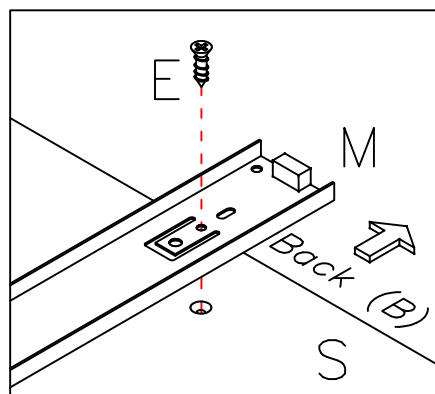
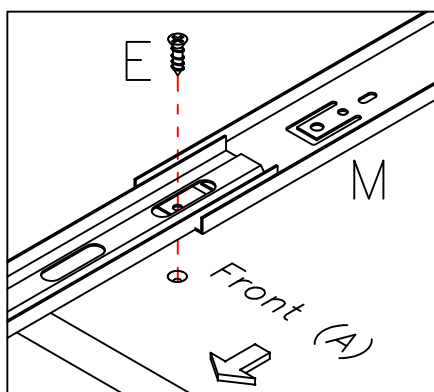
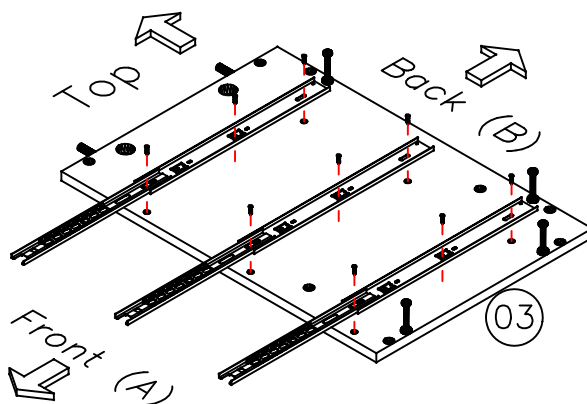
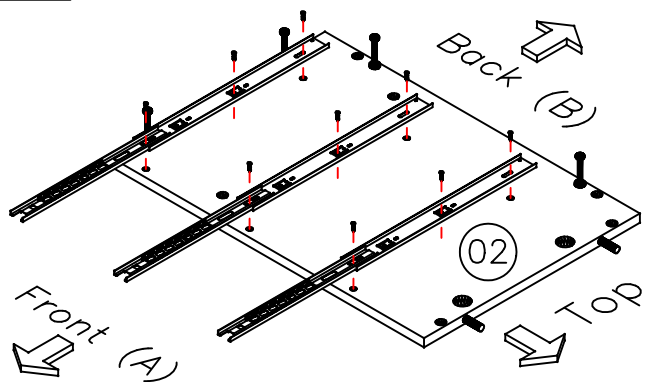


8



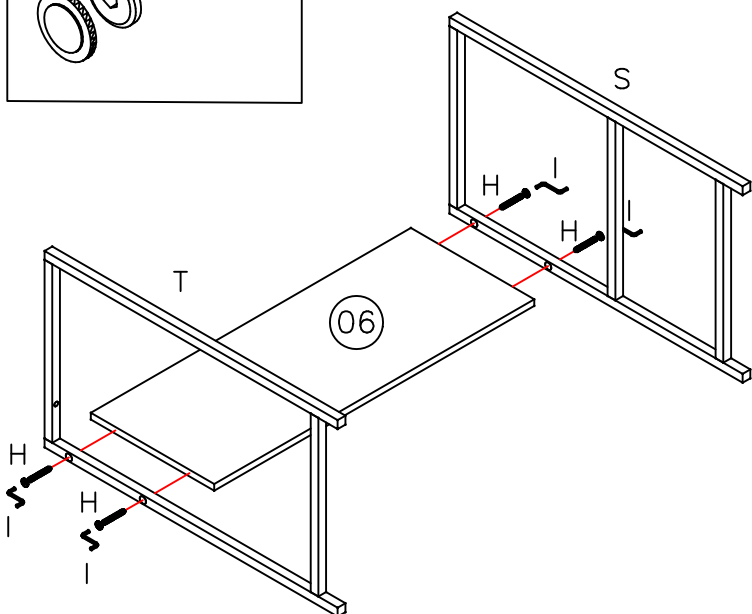
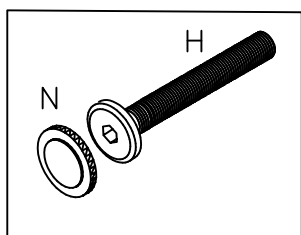
9

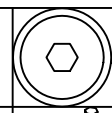
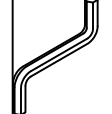
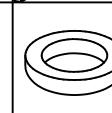
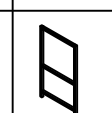
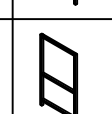
E		18
M		6

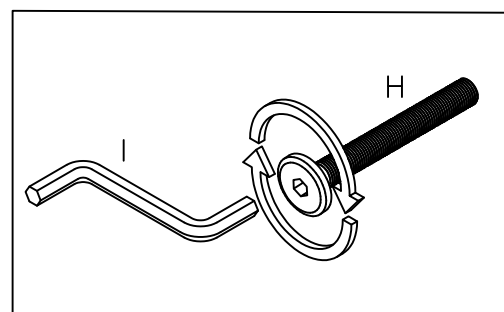


10

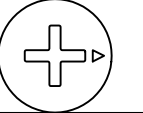
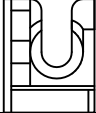
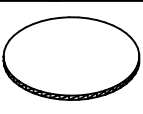
Product assembly



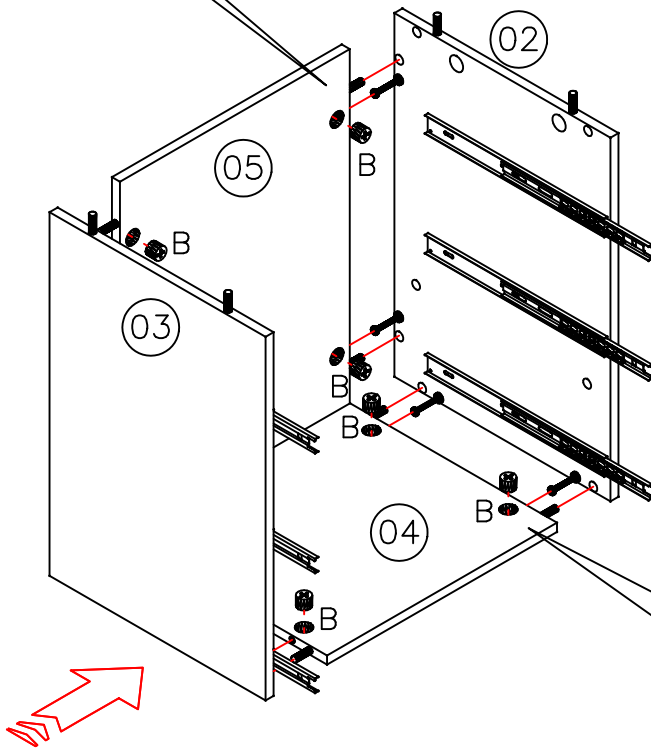
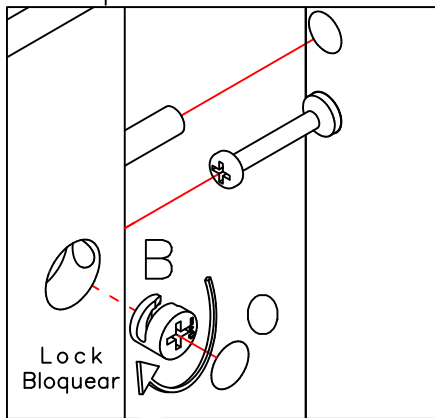
H		4
I		1
N		4
S		1
T		1



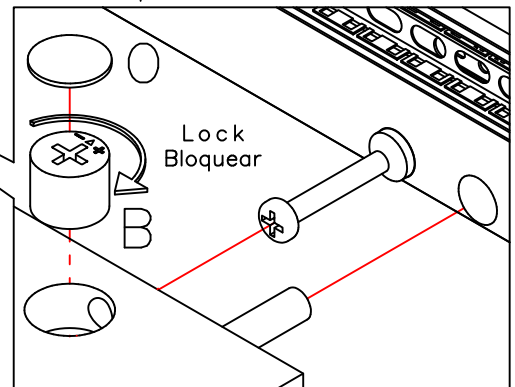
11

B			8
O			8

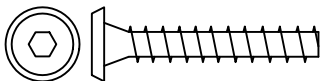


Proper orietation

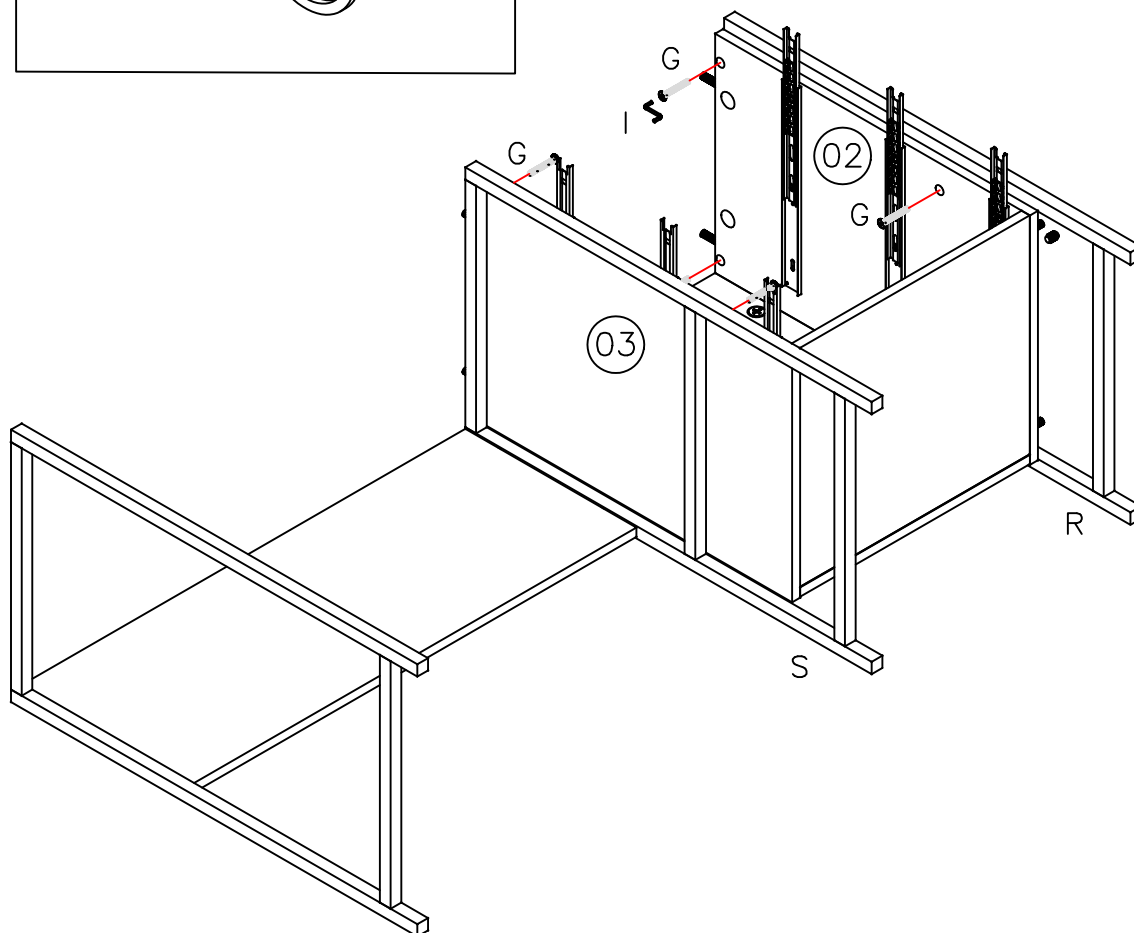
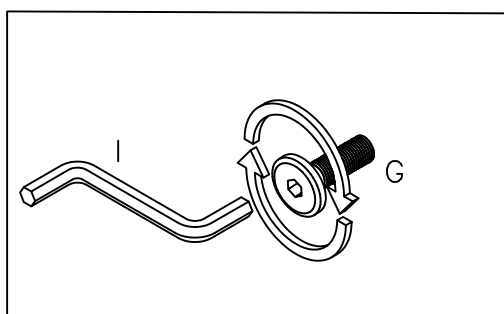


Proper orietation

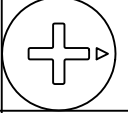
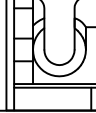
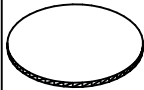
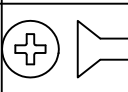
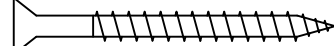
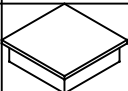


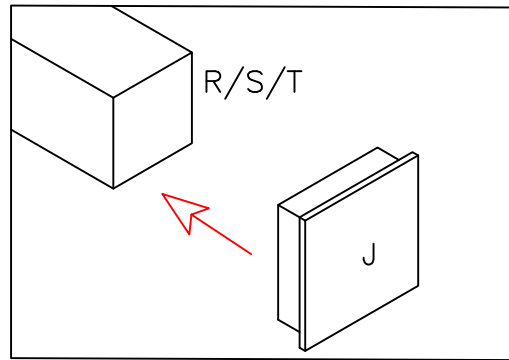
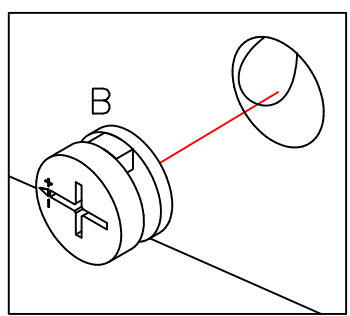
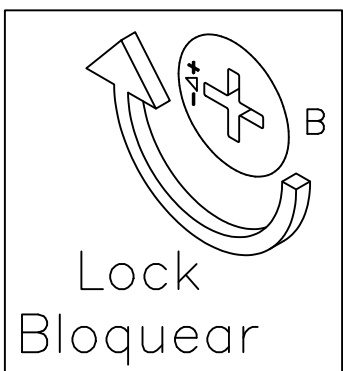
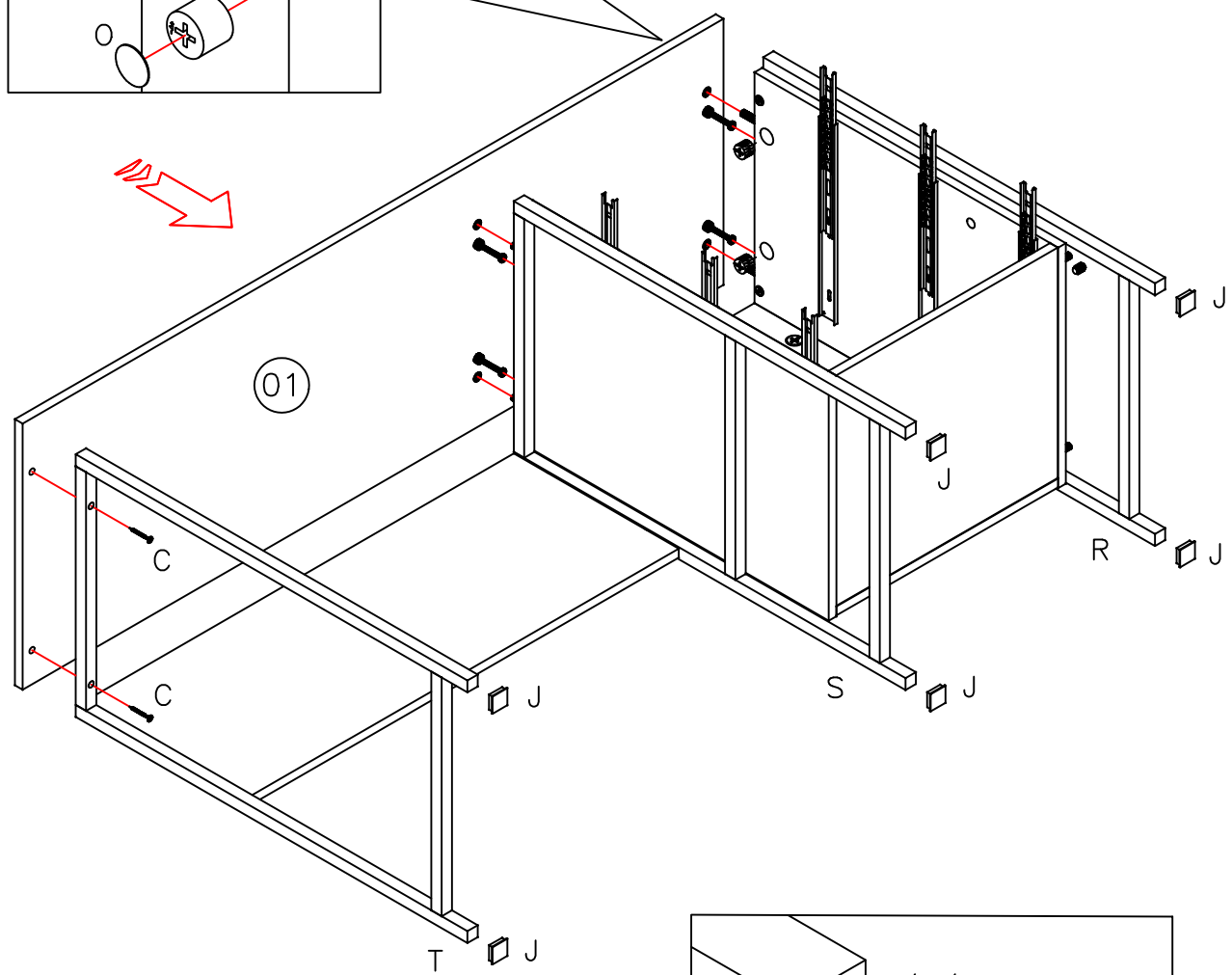
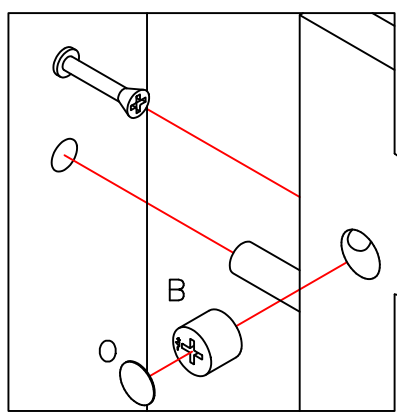
12

G		8
I		1
R		1



13

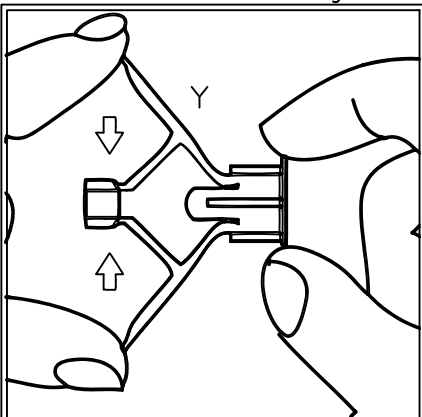
B			4
O			4
C			2
J			6



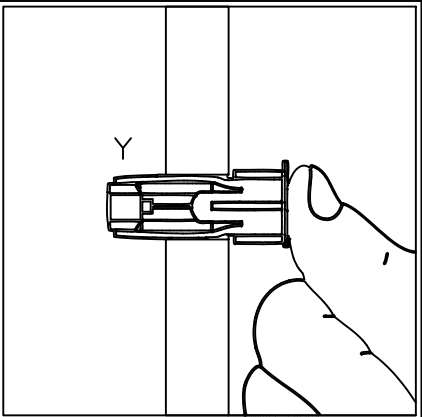
14

NOTE: Do not turn the DRYWALL ANCHOR into a wall stud. If you prefer to fasten the SAFETY ANTI-TIPPING to a wall stud, go to your local hardware store for proper hardware.

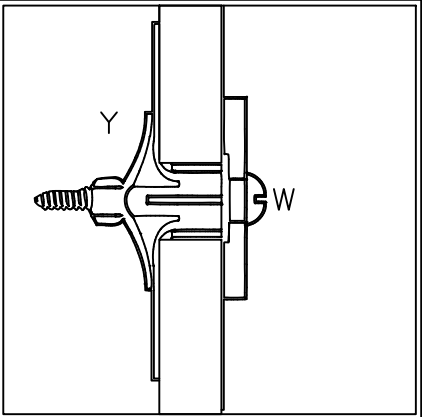
Compress the wings of anchor before inserting.



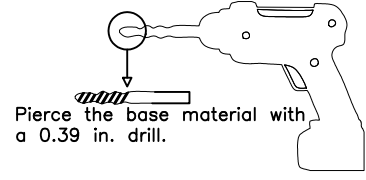
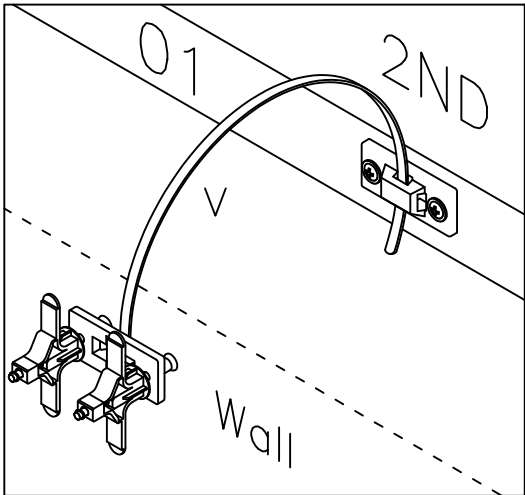
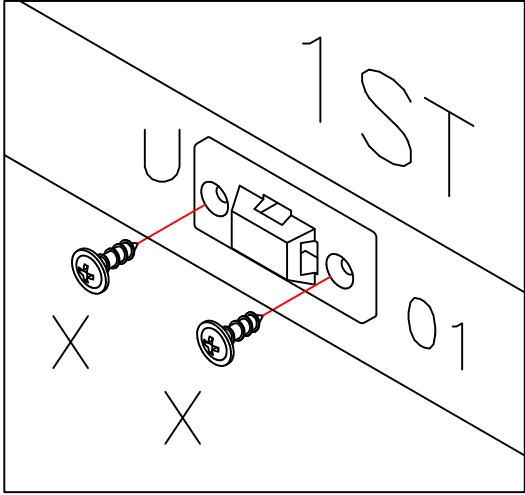
Insert the chuck into the hole of the base material.



Position the object over the bushing and secure it with a screw.



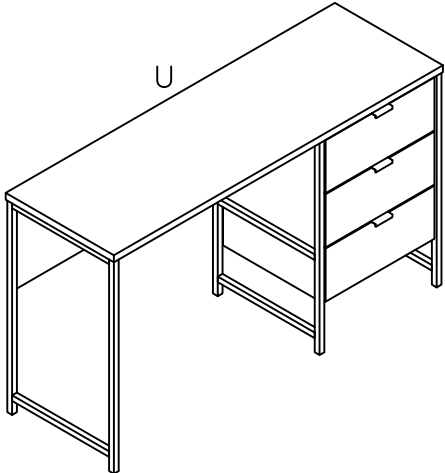
Anti-tipping installation			
U		Mounting bracket	2
V		Clamp	1
W		Screw 4,5x50	2
X		Screw 3,5x16 B0	2
Y		Anchor	2



Pierce the base material with a 0.39 in. drill.

Important

- The minimum length of the screw must be the bushing length + object thickness that will be fixed.
- To guarantee the wing expansion function of the bushing, after the screw head is at the object to be fixed, one must continue to rotate the screw until maximum torque is reached.



▲ WARNING -Anti-Tip Advisory

Potential of serious fatal crushing injuries may occur from furniture tip-over. To help prevent tip-over:

ALWAYS INSTALL the tip-over restrain that came with your furniture. This tip-over restrains only reduces but does NOT completely eliminate the risk of tip-over

- ALWAYS Place the heaviest items in the lowest/bottom drawer.
- NEVER place TV's or other heavy objects on top of this product.
- NEVER allow children to scale/climb/hang on the drawers, doors, or shelves.
- NEVER open more than one drawer at a time.

B ADVERTENCIA - Aviso antivuelco

Pueden producirse lesiones graves por aplastamiento mortales debido al vuelco de los muebles. Para ayudar a prevenir vuelcos:

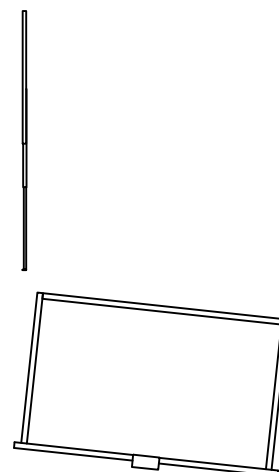
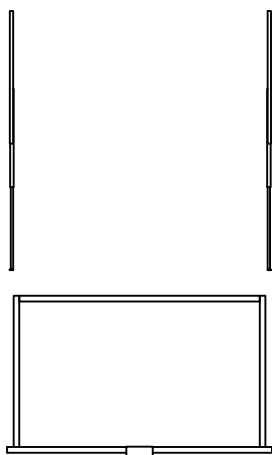
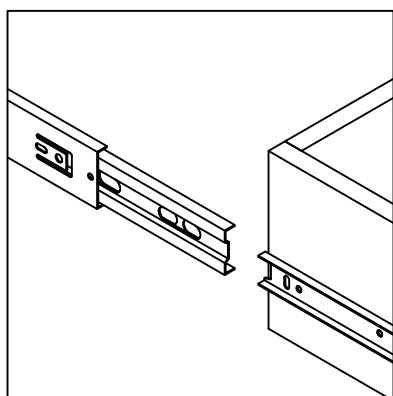
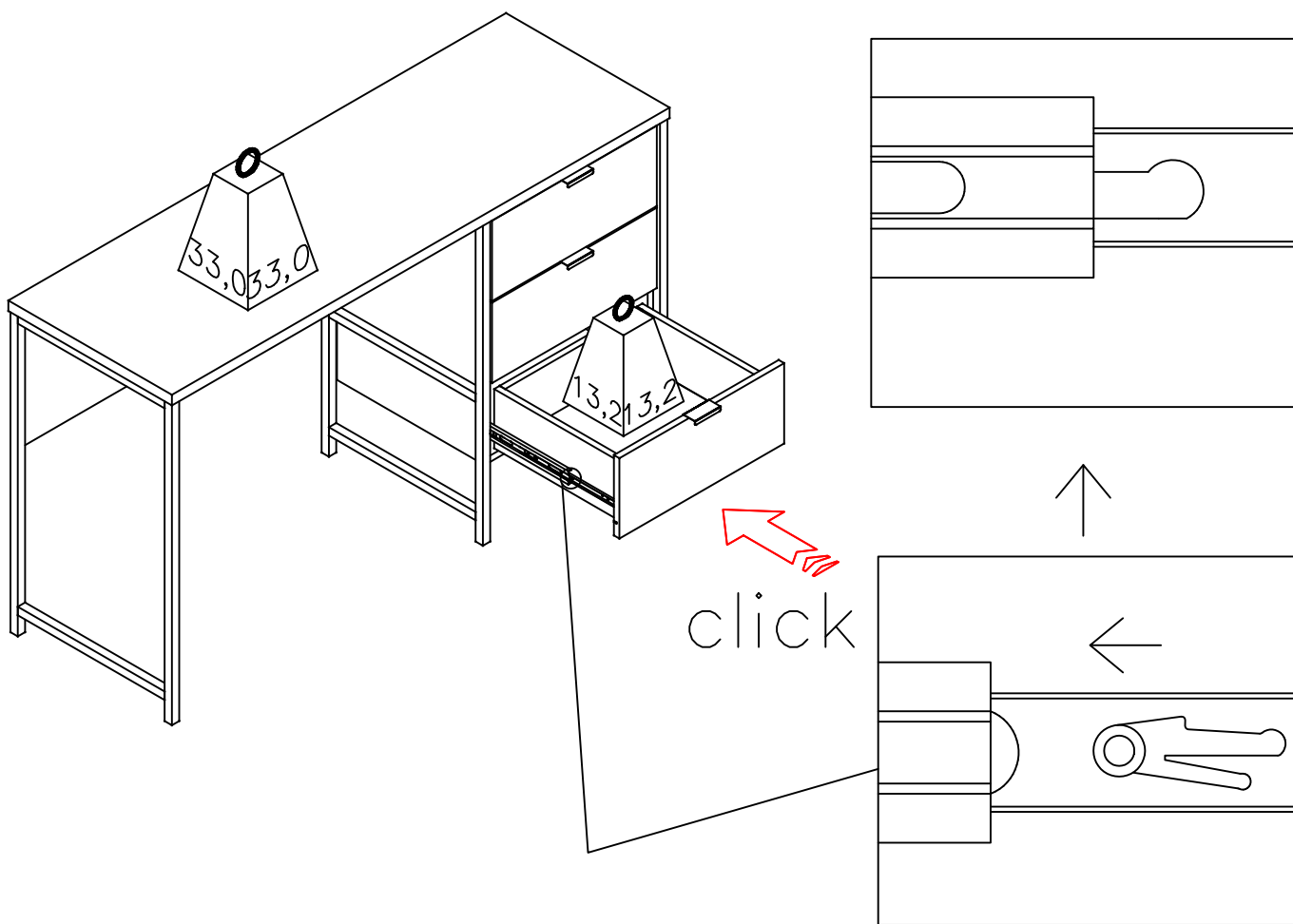
- o SIEMPRE INSTALE el sistema de retención que viene con sus muebles. Este sistema antivuelco solo reduce pero NO elimina por completo el riesgo de vuelco.
- o SIEMPRE coloque los artículos más pesados en el cajón más bajo /inferior.
- o NUNCA coloque televisores u otros objetos pesados encima de este producto.
- o NUNCA permita que los niños escalen, trepen o se cuelguen de los cajones, puertas o estantes.
- o NUNCA abra más de un cajón a la vez

15



Drawer installation

Insert the slide into the profile and close the drawer to finish locking the clip.

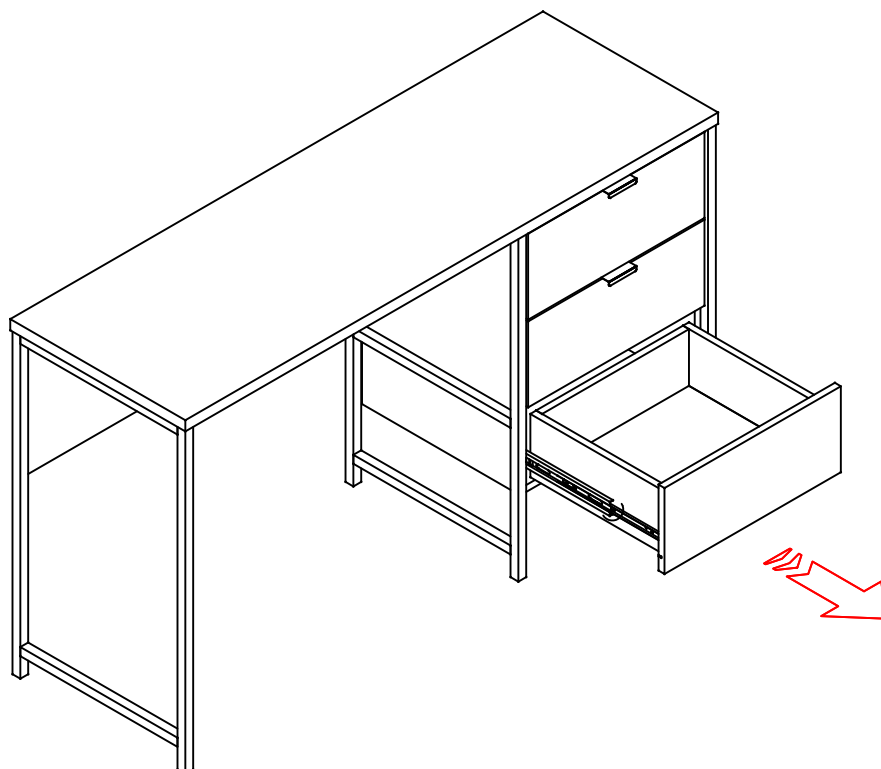


16



Drawer Removal

Open the drawer completely. Unlock the side clips, then pull out the drawer.



Observe the position of the side clips for disassembling the slide

