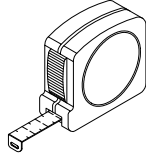
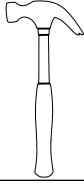
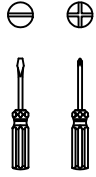
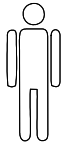


ASSEMBLY INSTRUCTIONS

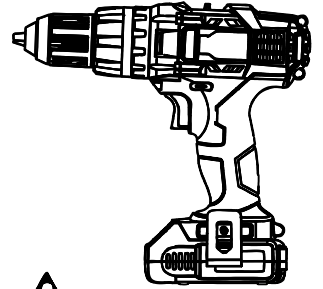
01/19
EU027



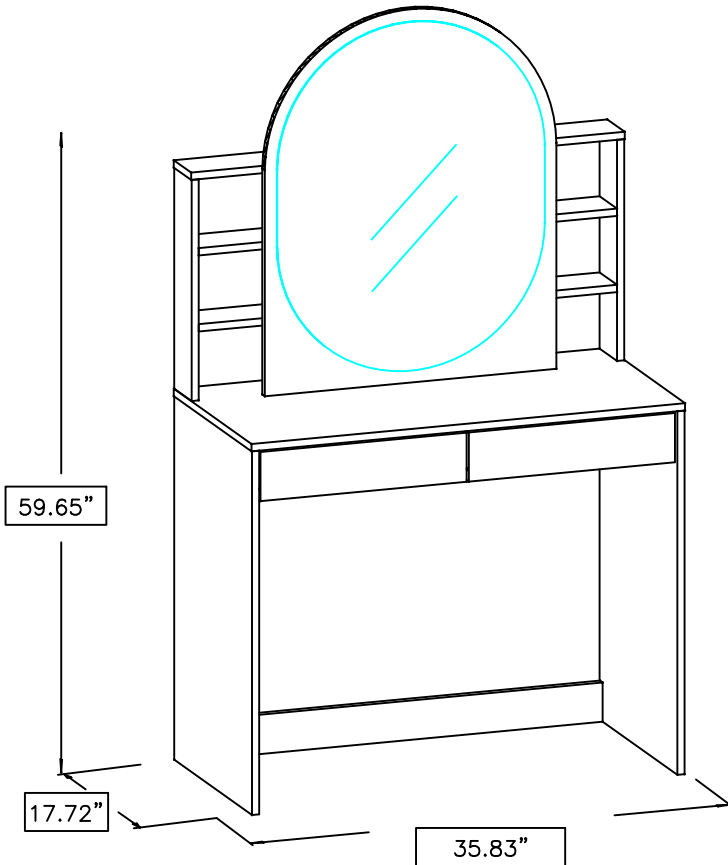
Warning –
CHOKING HAZARD – Small Parts Not for children under 3 years. Adult assembly required.



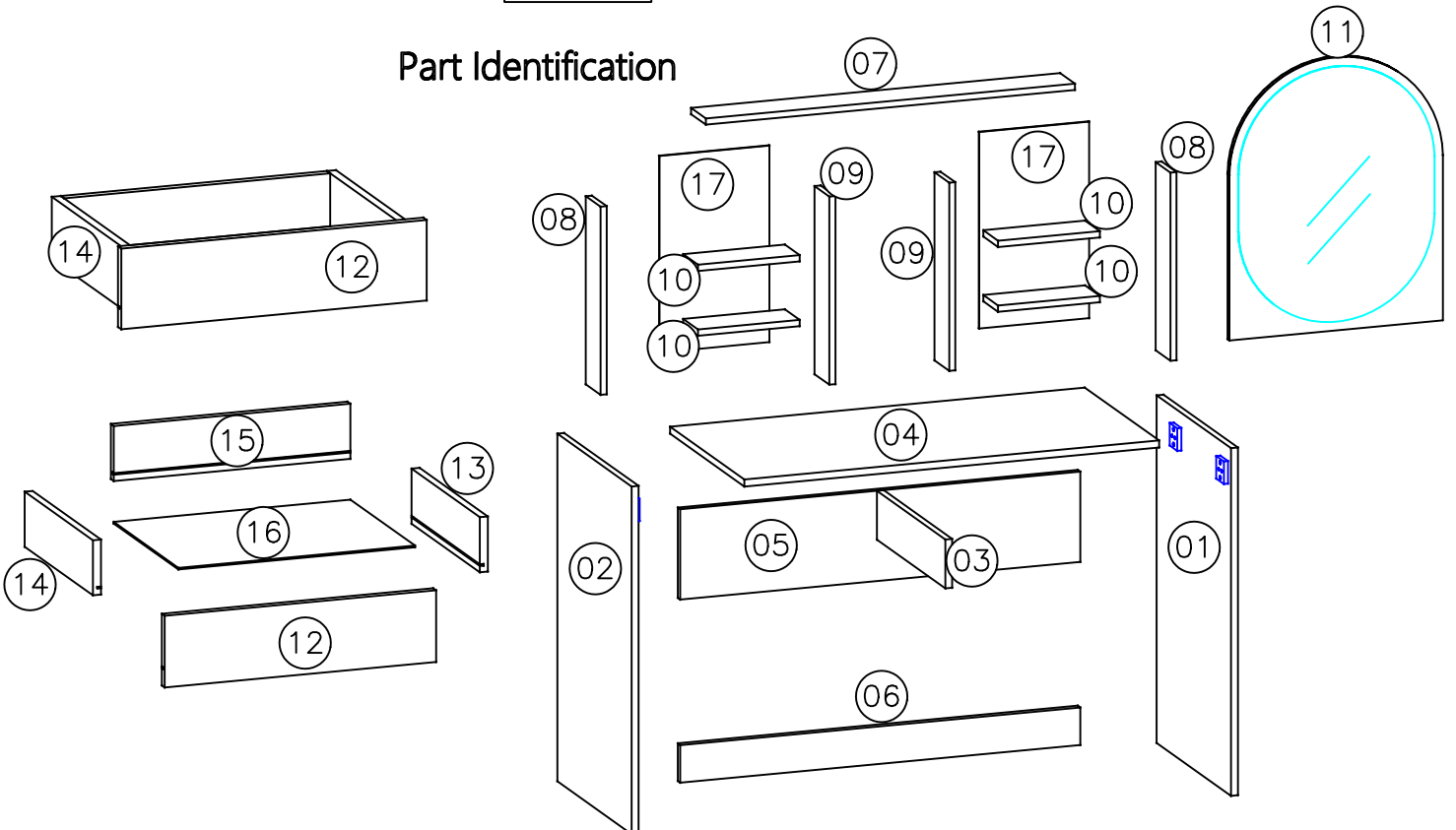
1.30mins



Although not required, it is recommended that a drill be used to help ease the assembly process, as some holes are not pre-drilled.



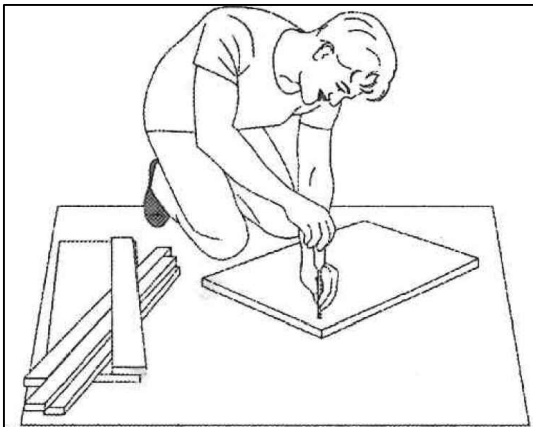
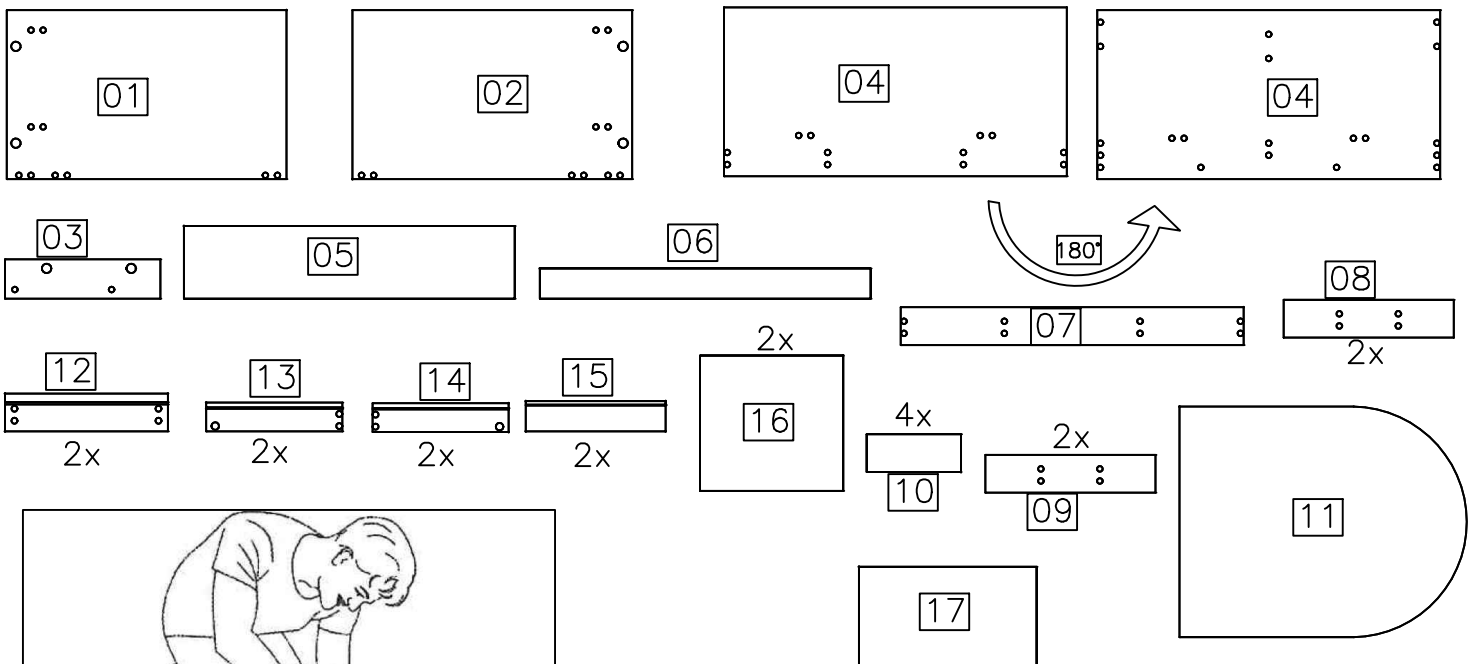
Part Identification



List of pieces

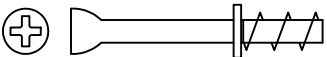
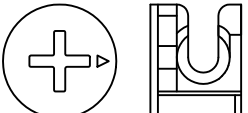
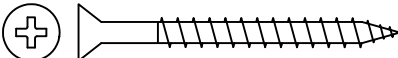
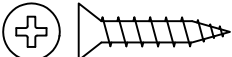


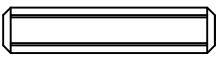
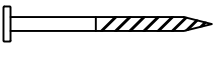
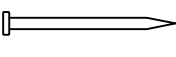
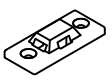

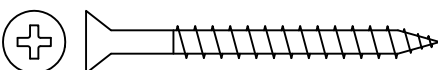

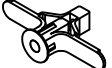
Code	Description	Amount	Length (in.)	Width (in.)	Thickness (in.)	Box
01	Right side	1	29.13"	17.60"	.59"	A
02	Left side	1	29.13"	17.60"	.59"	A
03	Division	1	16.18"	4.09"	.59"	A
04	Top bottom panel	1	35.71"	17.60"	.59"	A
05	Strengthening	1	34.45"	7.56"	.59"	A
06	Back baseboard	1	34.45"	3.15"	.59"	A
07	Top bottom panel	1	35.71"	.39"	.59"	A
08	Top side	2	17.72"	3.94"	.59"	A
09	Upper partition	2	17.72"	3.94"	.59"	A
10	Shelf	4	9.84"	3.94"	.59"	A
11	Mirror part	1	29.92"	24.02"	.59"	A
12	Front drawer	2	16.97"	3.94"	.59"	A
13	Right drawer side	2	14.17"	2.99"	.59"	A
14	Left drawer side	2	14.17"	2.99"	.59"	A
15	Back drawer	2	14.41"	2.99"	.59"	A
16	Bottom drawer	2	14.92"	14.09"	.12"	A
17	Back panel	2	18.50"	10.63"	.12"	A

For issues with ASSEMBLY or PARTS please contact CS@k1intlgrp.com or Toll-free 1-877-250-2820.



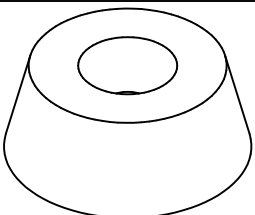
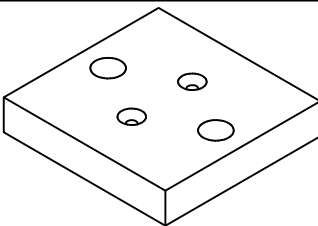

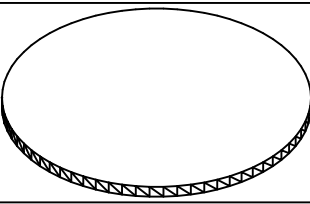
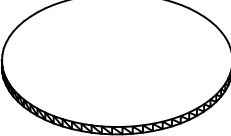
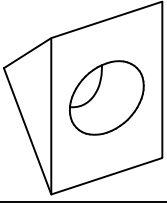
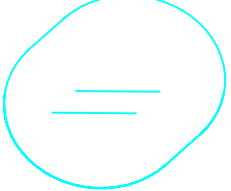
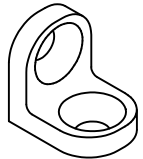
It is recommended the use of the box in which your furniture arrived in, be opened, and laid out on the floor as your work area. This helps prevent an unnecessary damages from occurring.

T
O
S
C
A
L
E

Hardware			
	Code	Description	Amou.
A	30945	 Cam Screws	10
B	30950	 Cam Locks	10
C	226	 Screw 4x40	28
D	5256	 Screw 4x20	4
E	4214	 Screw 3,5x14	30
F	1925	 Dowel 6x50mm	2
G	1802	 Dowel 6x30mm	34
H	108	 Nail 12x12	4
I	107	 Nail 10x10	24
Anti-tipping installation			
J	55606	 Mounting bracket	2
K	55607	 Clamp	1
L	51980	 Screw 4,5x50	2
M	1178	 Screw 3,5x16 BC	2
N	32069	 Adapter sleeve	2



NOTTOSCALE

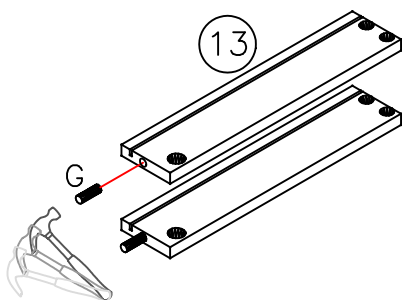
O	1901		Shoe black	4
P	BR/OW=55558 (Branco)		Retractor	4
Q	169		Metal slide 350mm	2
R	OW= 53287 (Off White) BR= 45292 (Branco)		Tap hole 19mm	10
S	OW= 53286 (Off White) BR= 8010 (Branco)		Tap hole 13mm	10
T	18458		Black triangular support	4
U	55712		Mirror 710x560x3mm	1
V	8578		angle bracket "L"	3
01 Saco médio para acessórios (Internal production data)				



1A

Drawer Preassembly

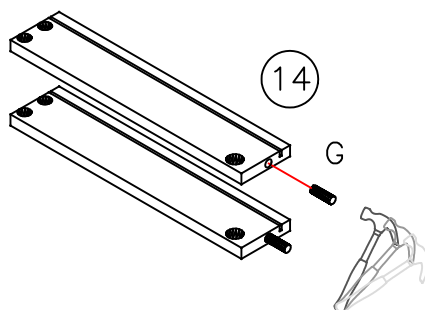
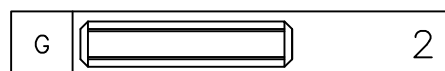
This process is repeated twice



1B

Drawer Preassembly

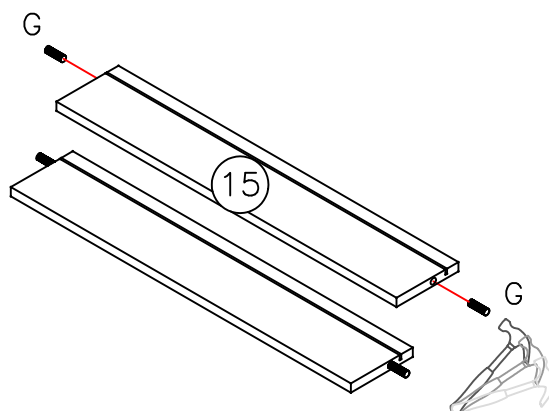
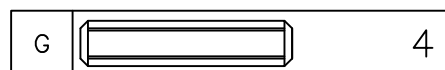
This process is repeated twice



1C

Drawer Preassembly


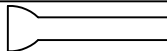
This process is repeated twice

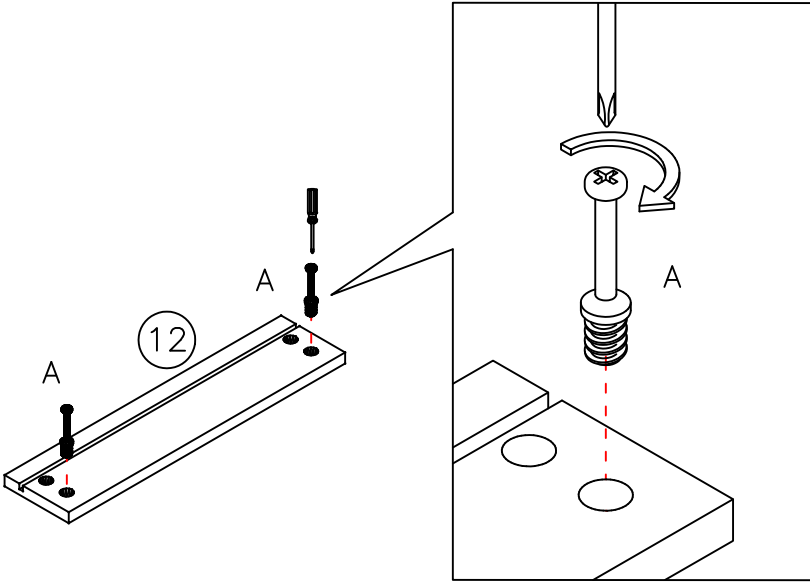


1D

Drawer Preassembly

This process is repeated twice


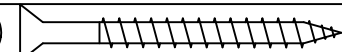

A			4
---	---	---	---

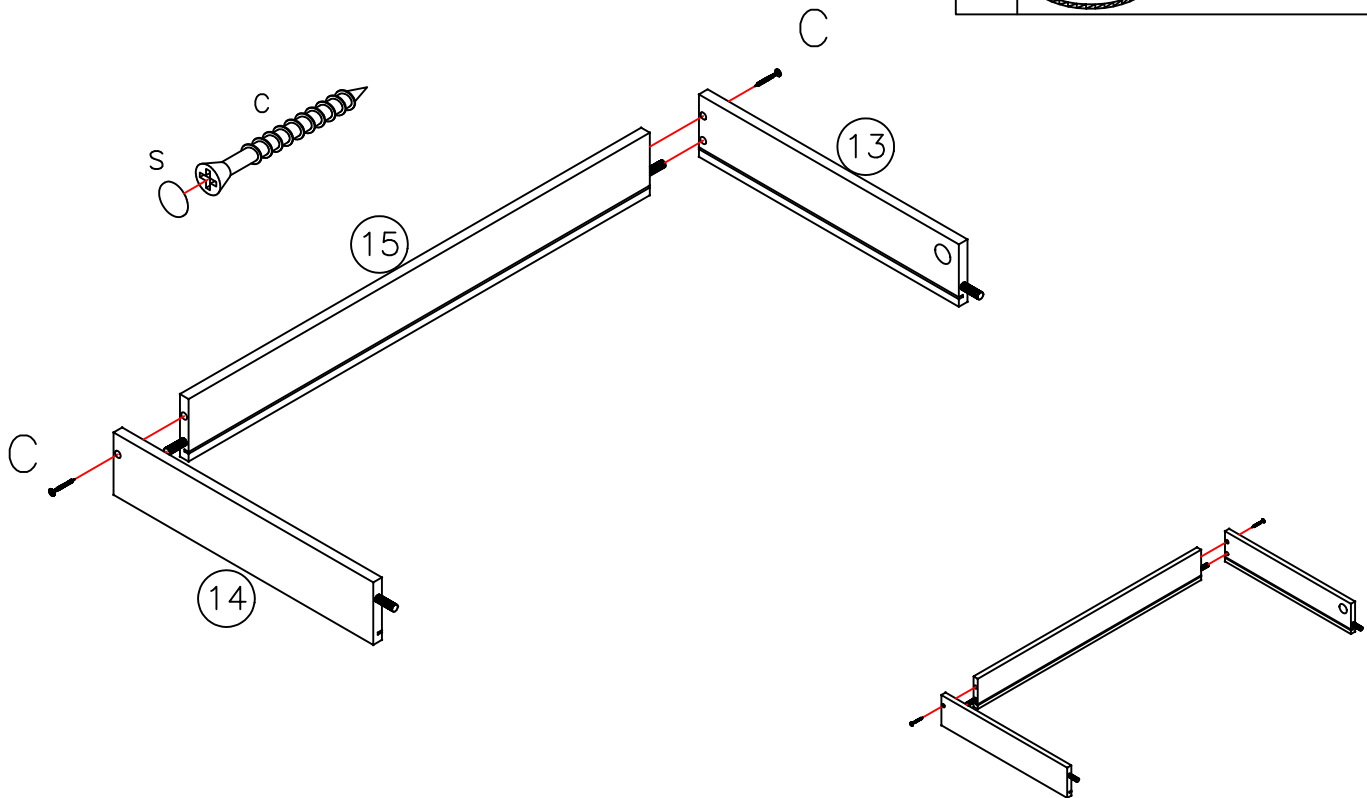


2

Drawers Mounting

This process is repeated twice

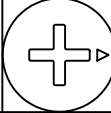
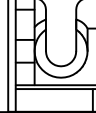
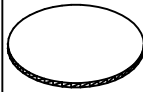
C			4
S			4

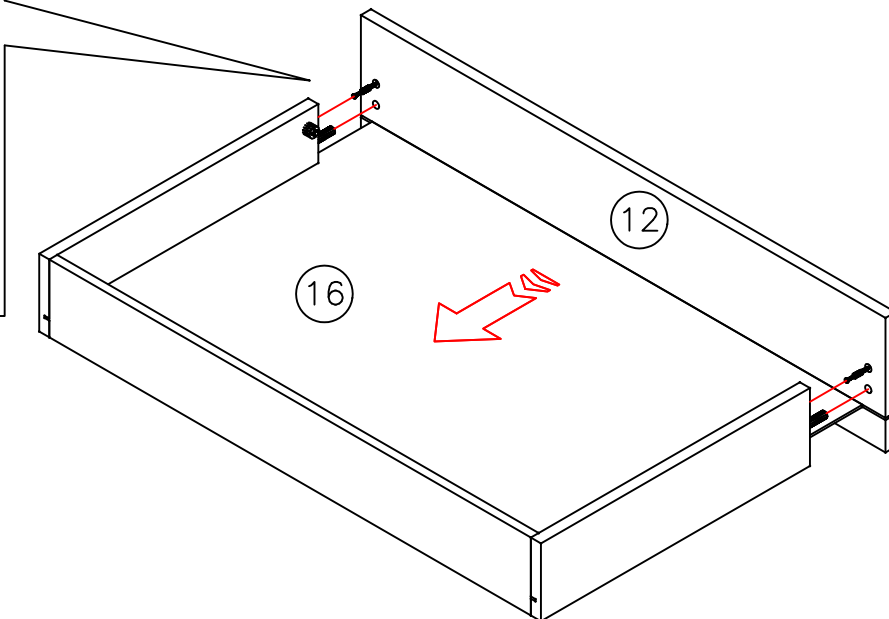
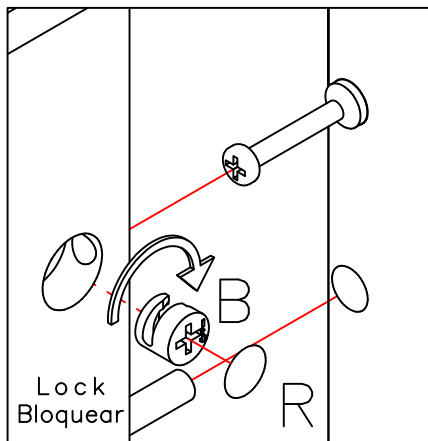


3

Drawers Mounting

This process is repeated twice

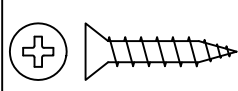
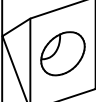
B			4
R			4

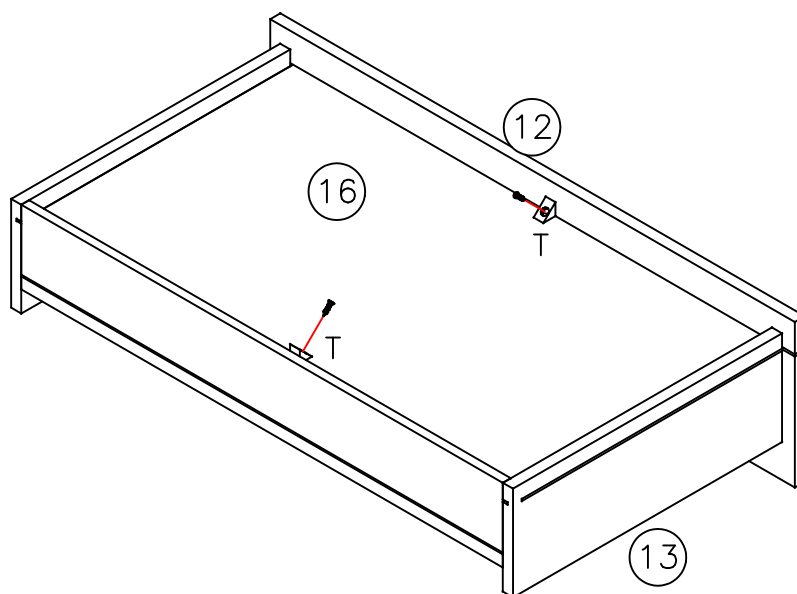
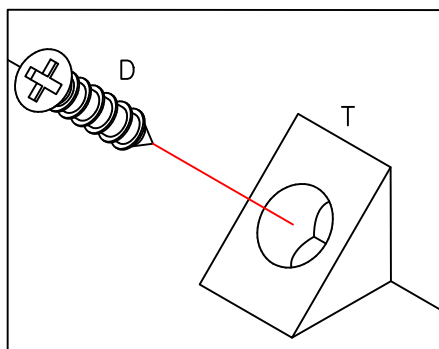


4

Drawers Mounting

This process is repeated twice

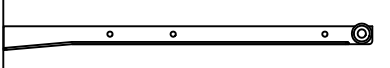

D			4
T			4



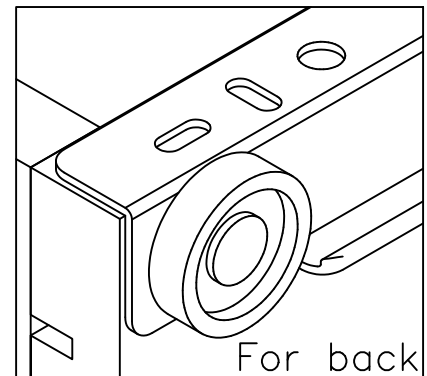
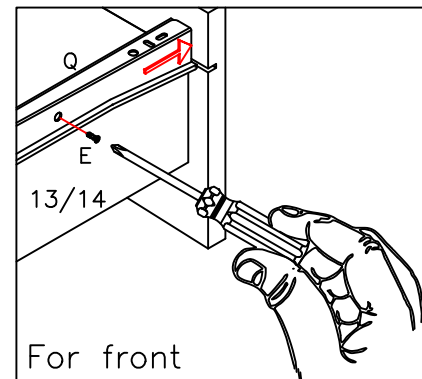
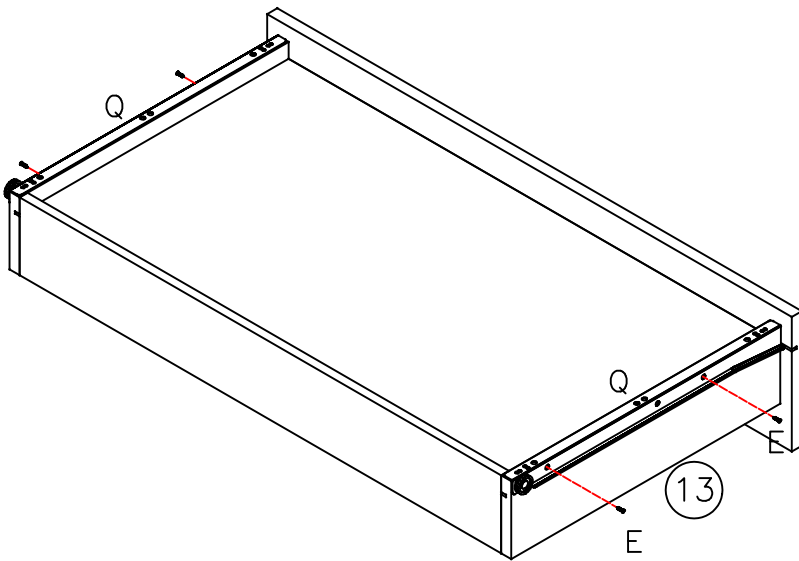
5

Drawer final assembly

This process is repeated twice

Q		4
E		8

The underside of the drawer




Please ensure that these screws are complete screwed in. As failure to do so could cause issues when installing the drawer

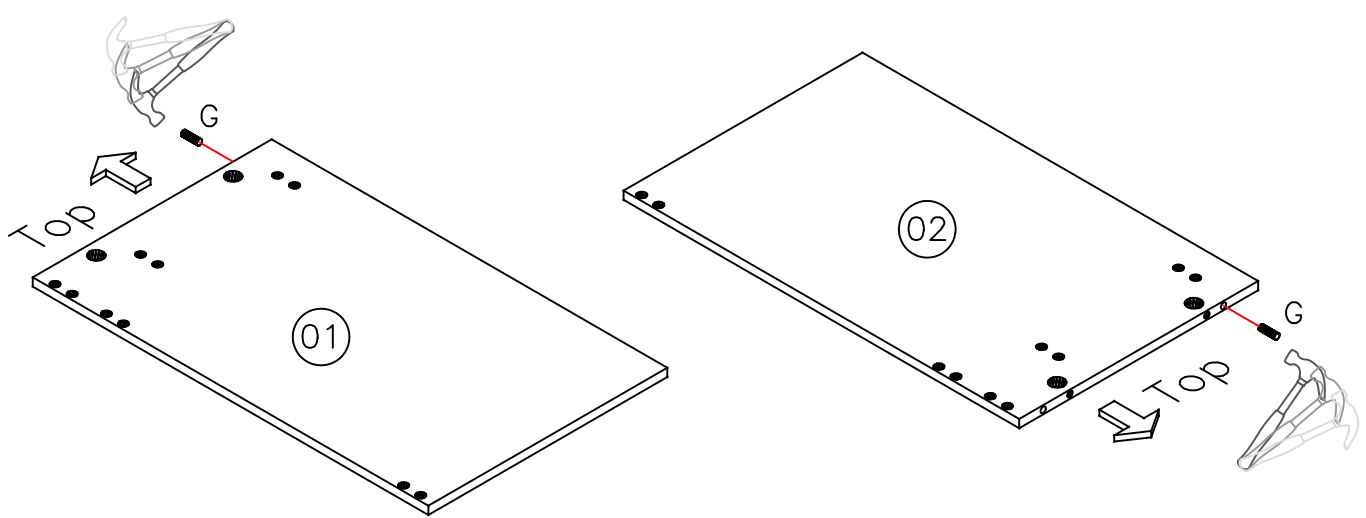
If you have any further questions regarding the assembly of the drawer, access the website through the QR CODE



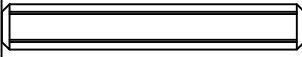

6

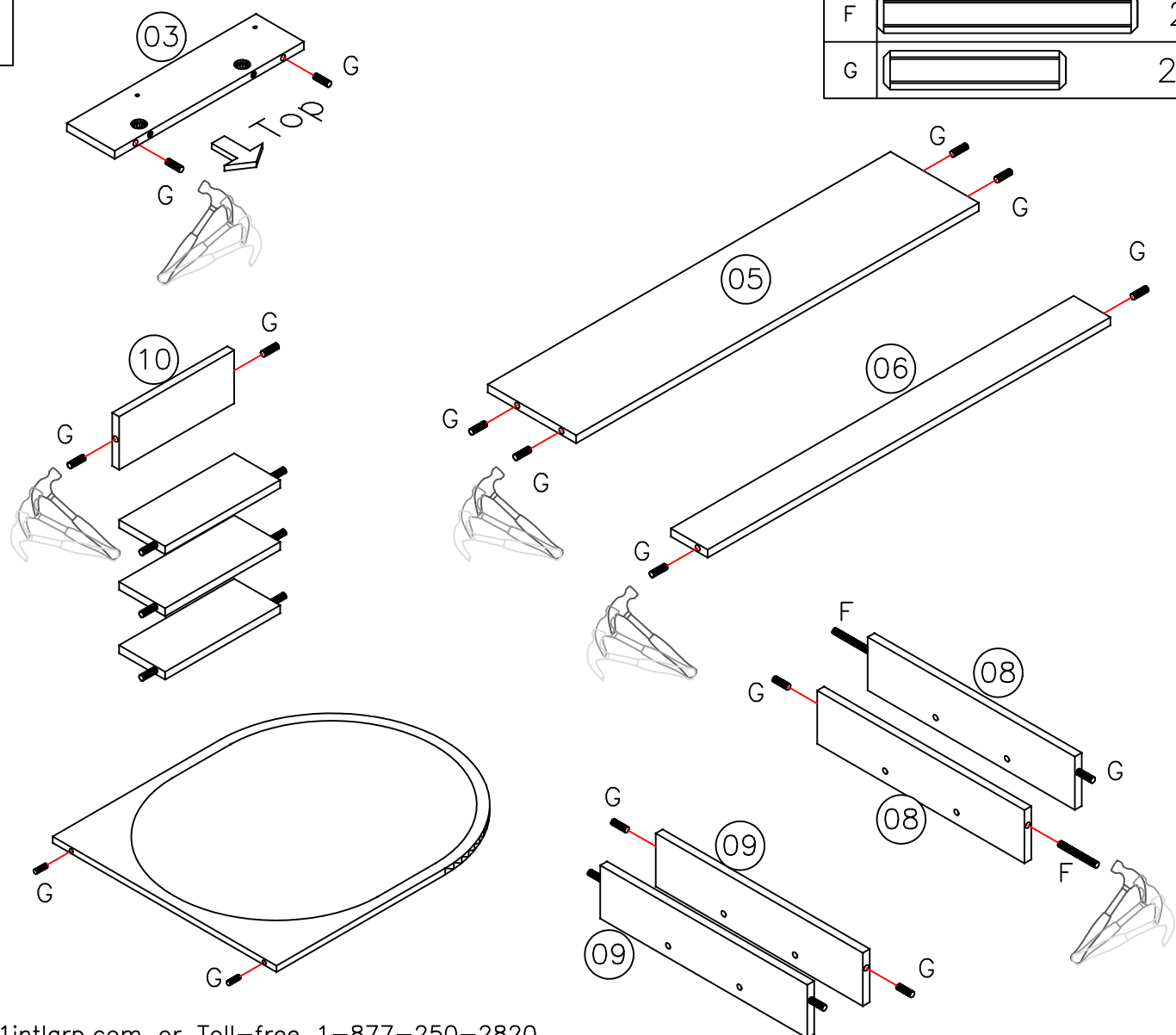
Preassembly of parts

G		2
---	---	---

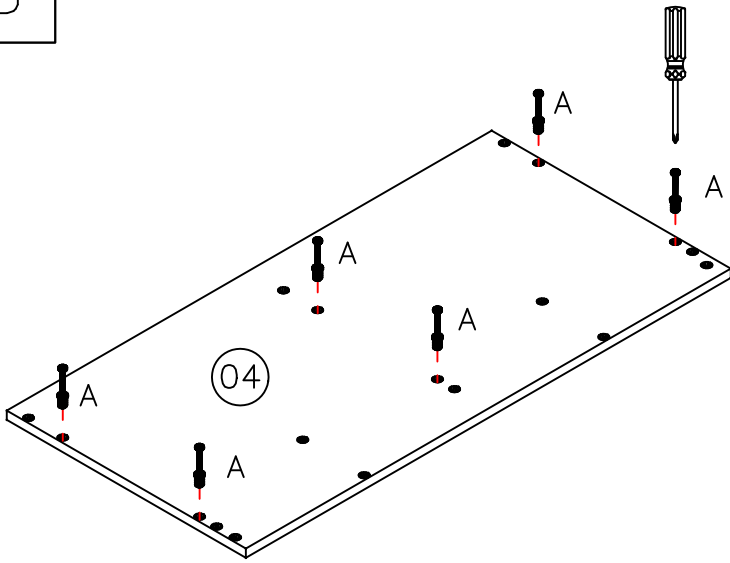


7

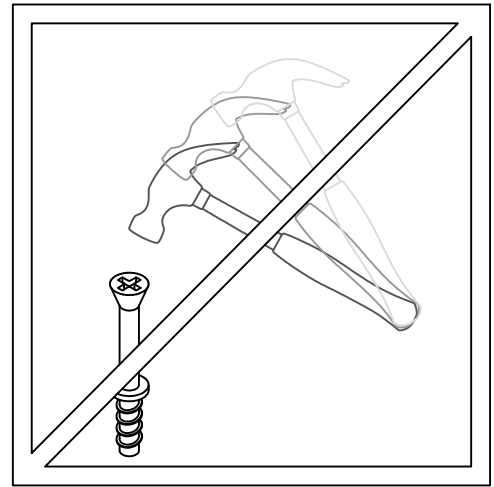
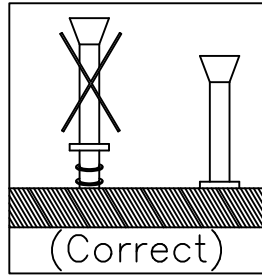
F		2
G		24



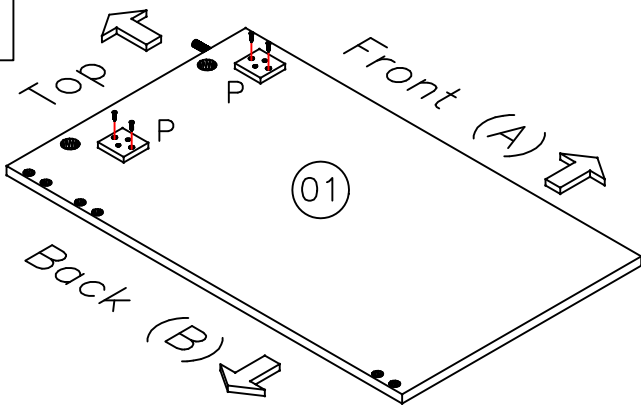
8



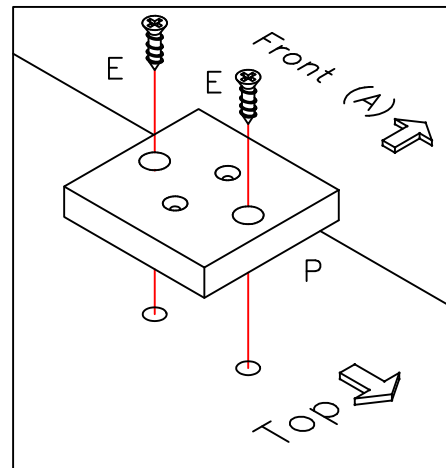
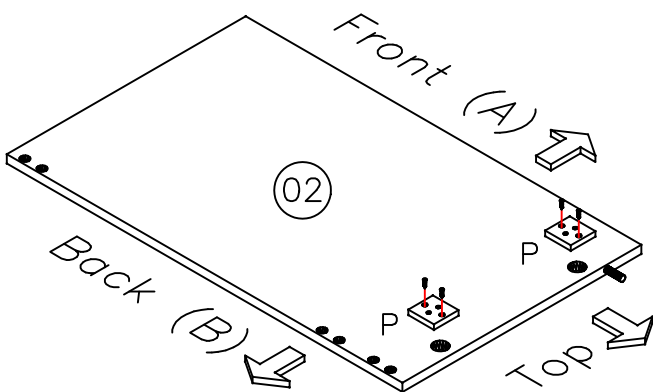
A		6
---	--	---



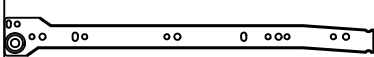

9

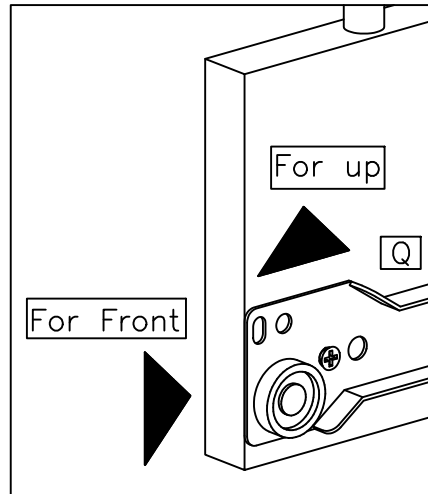
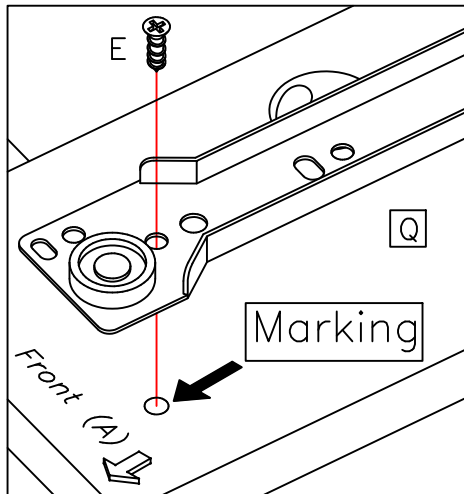
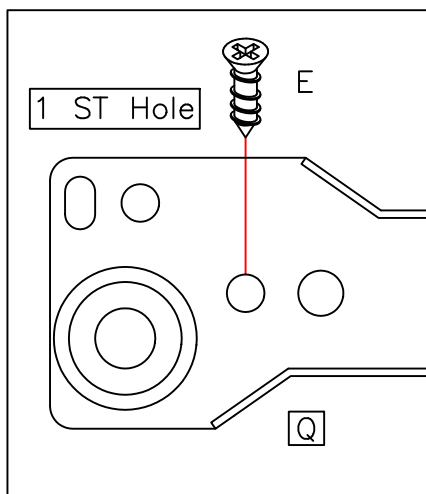
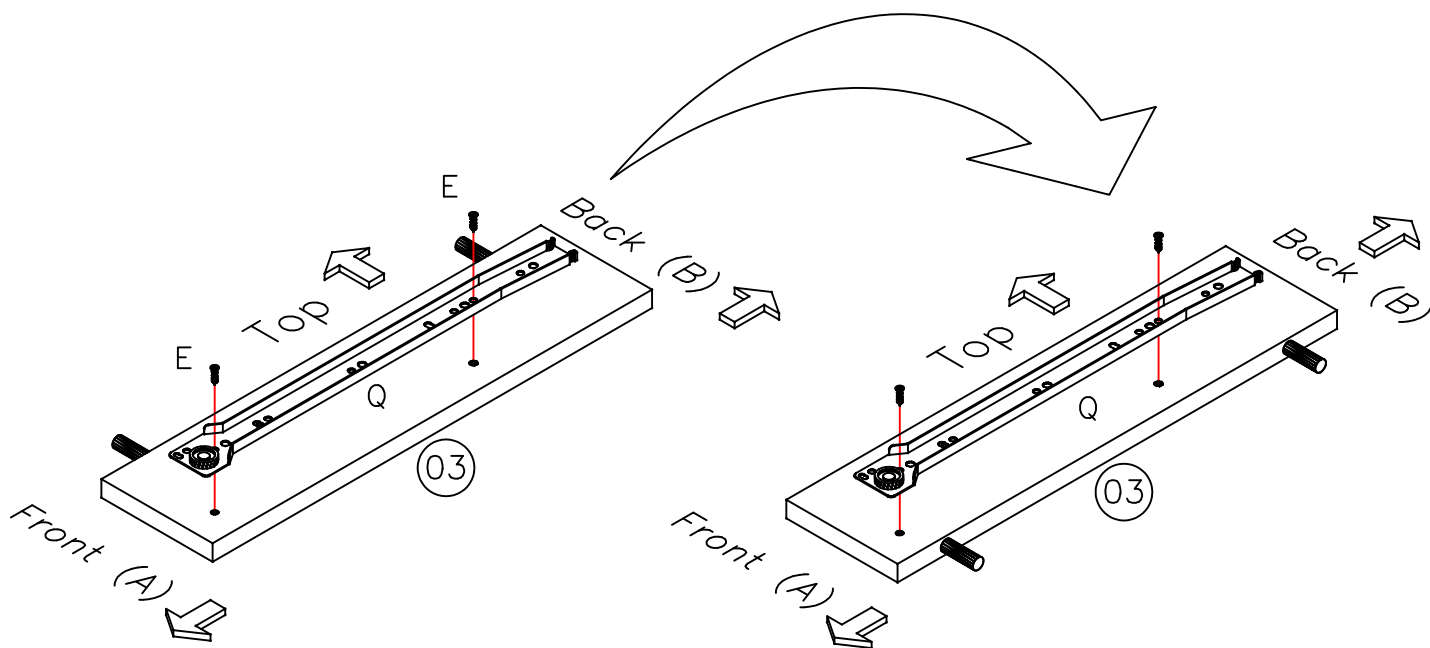


P		4
E		8

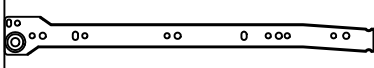



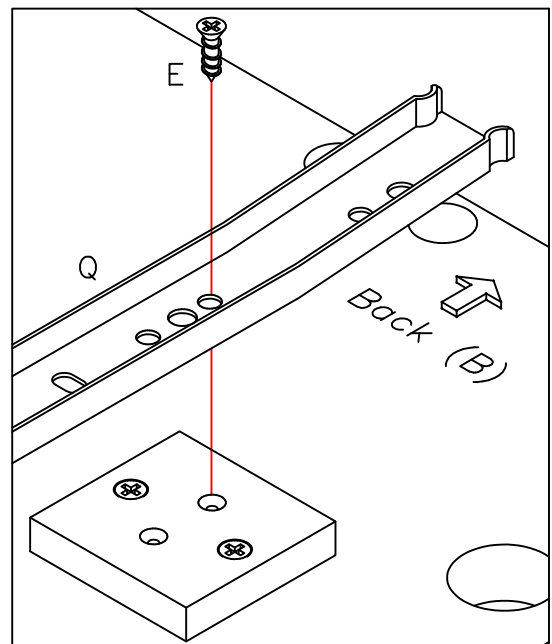
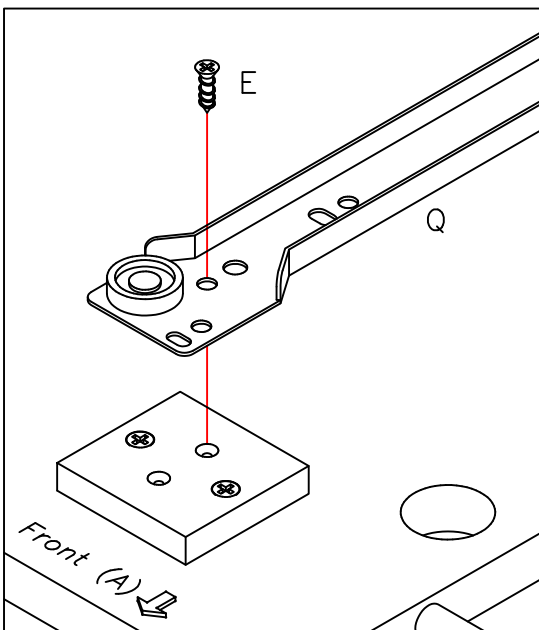
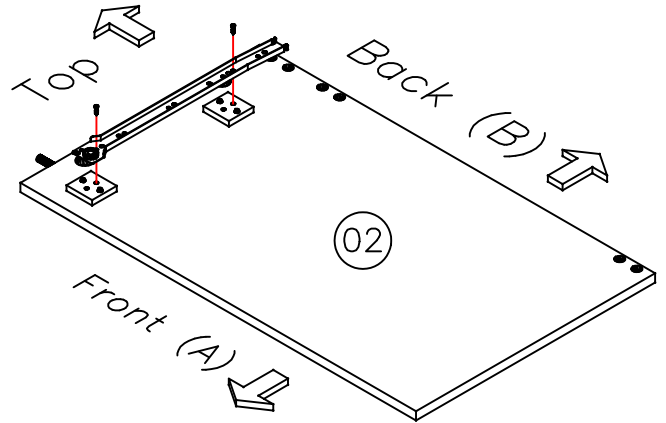
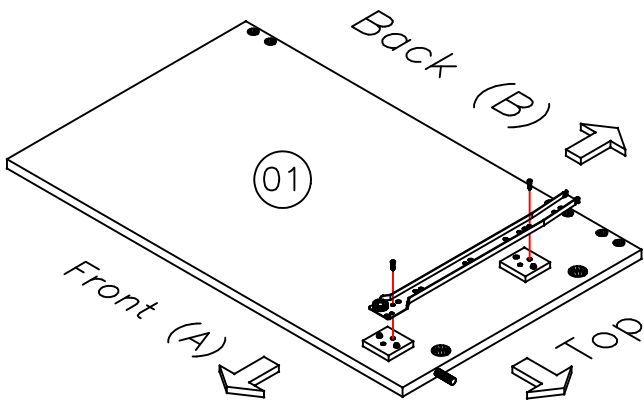
10

Q		2
E		4


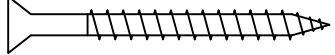



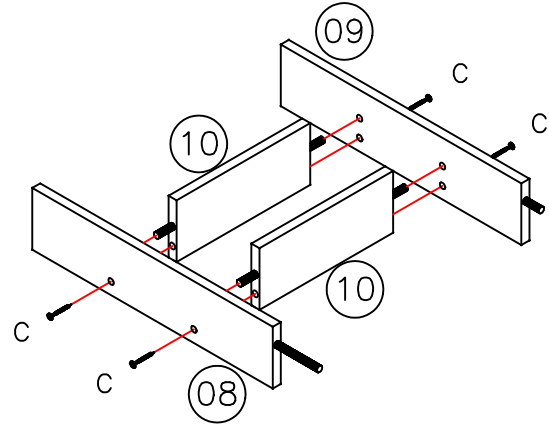
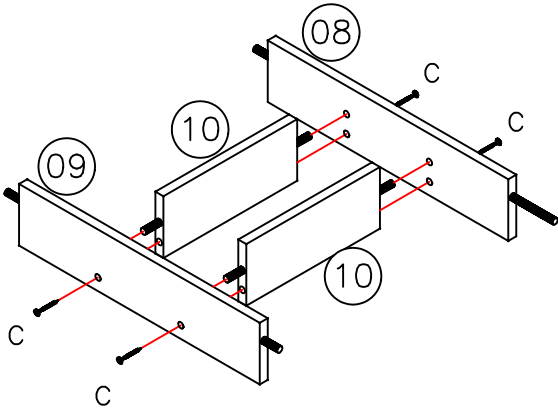
11

Q		2
E		4


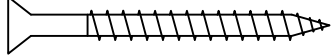



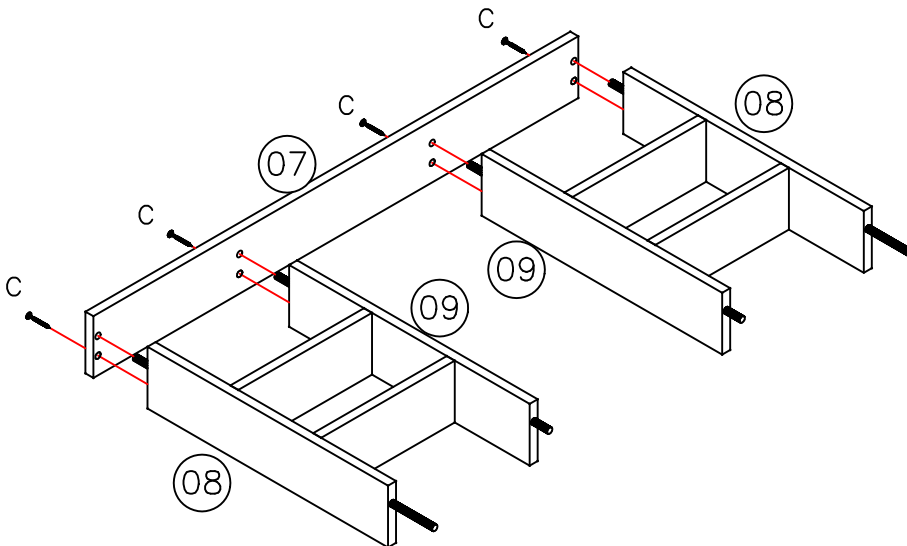
12

c			8
s			8

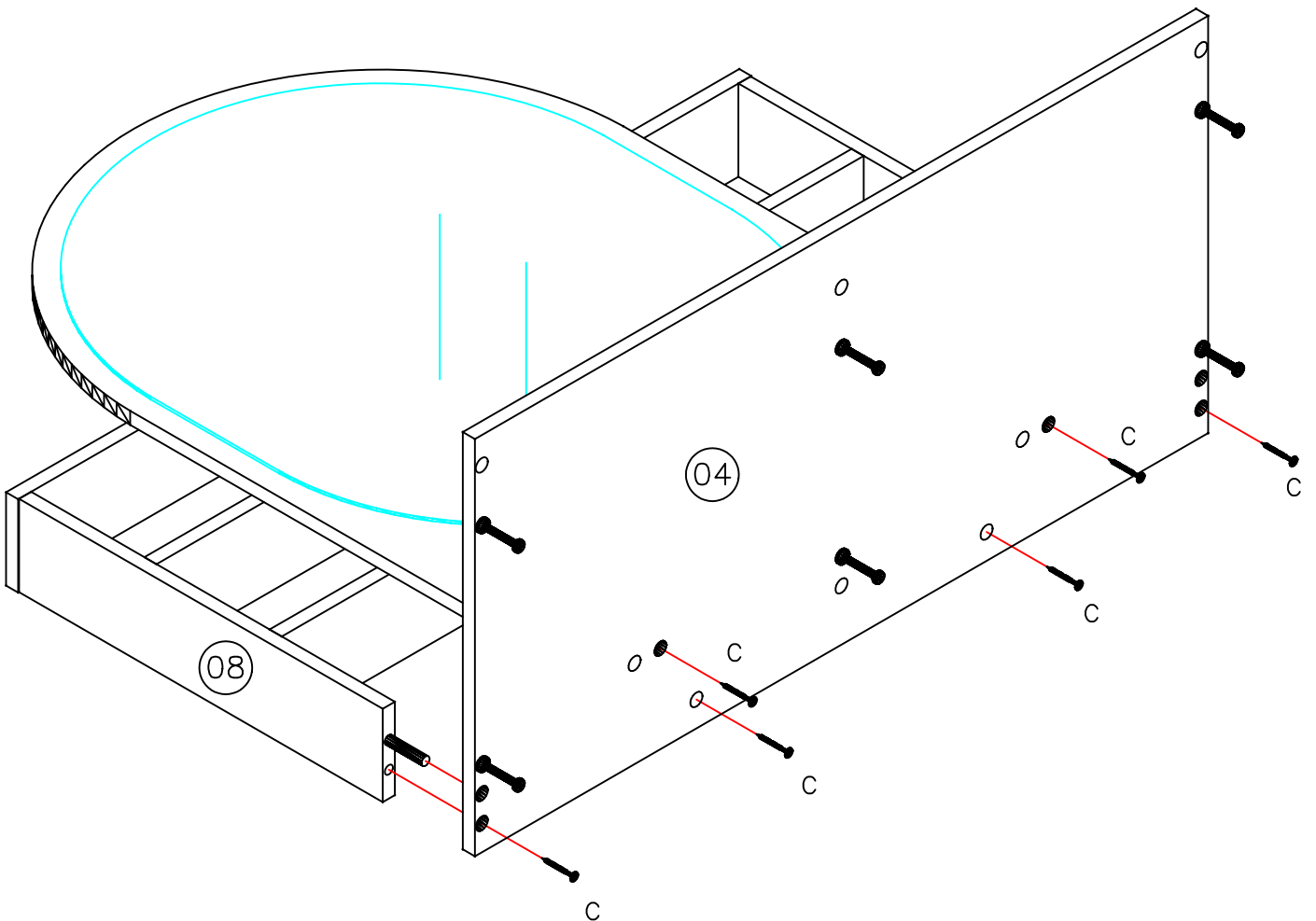
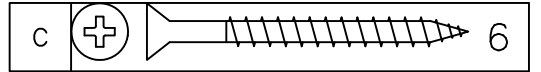


13



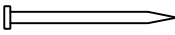
c			4
s			4

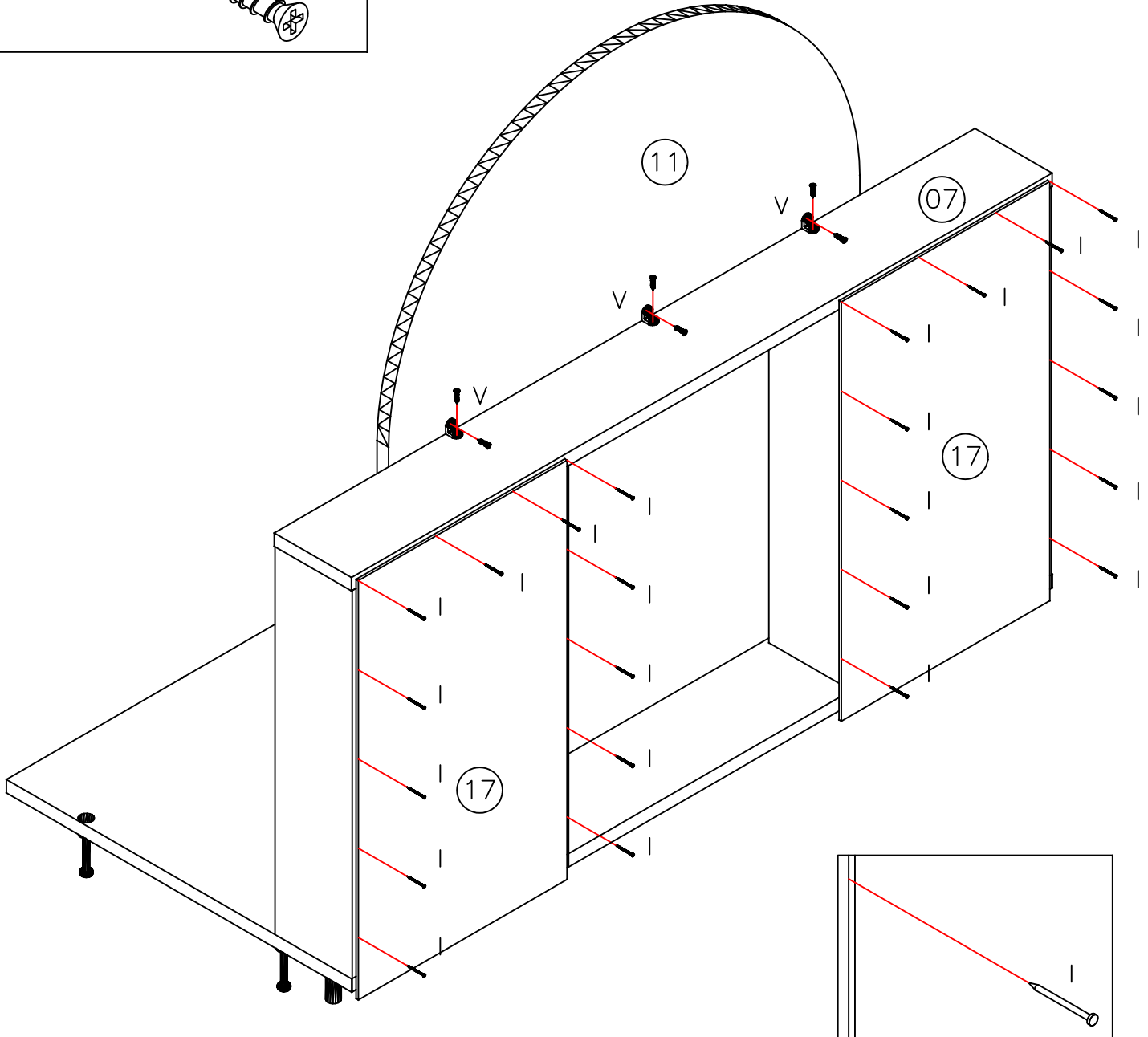
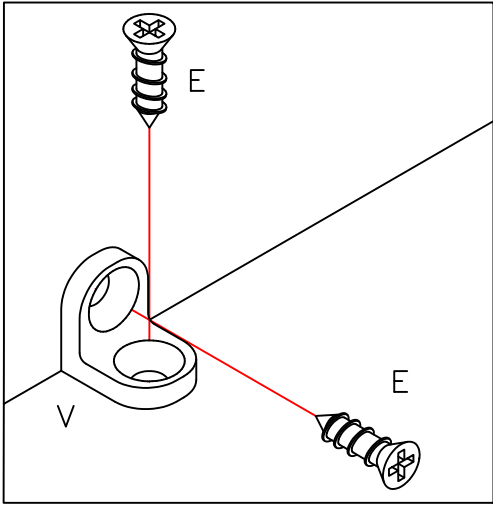


14


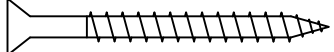
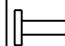
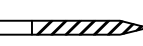






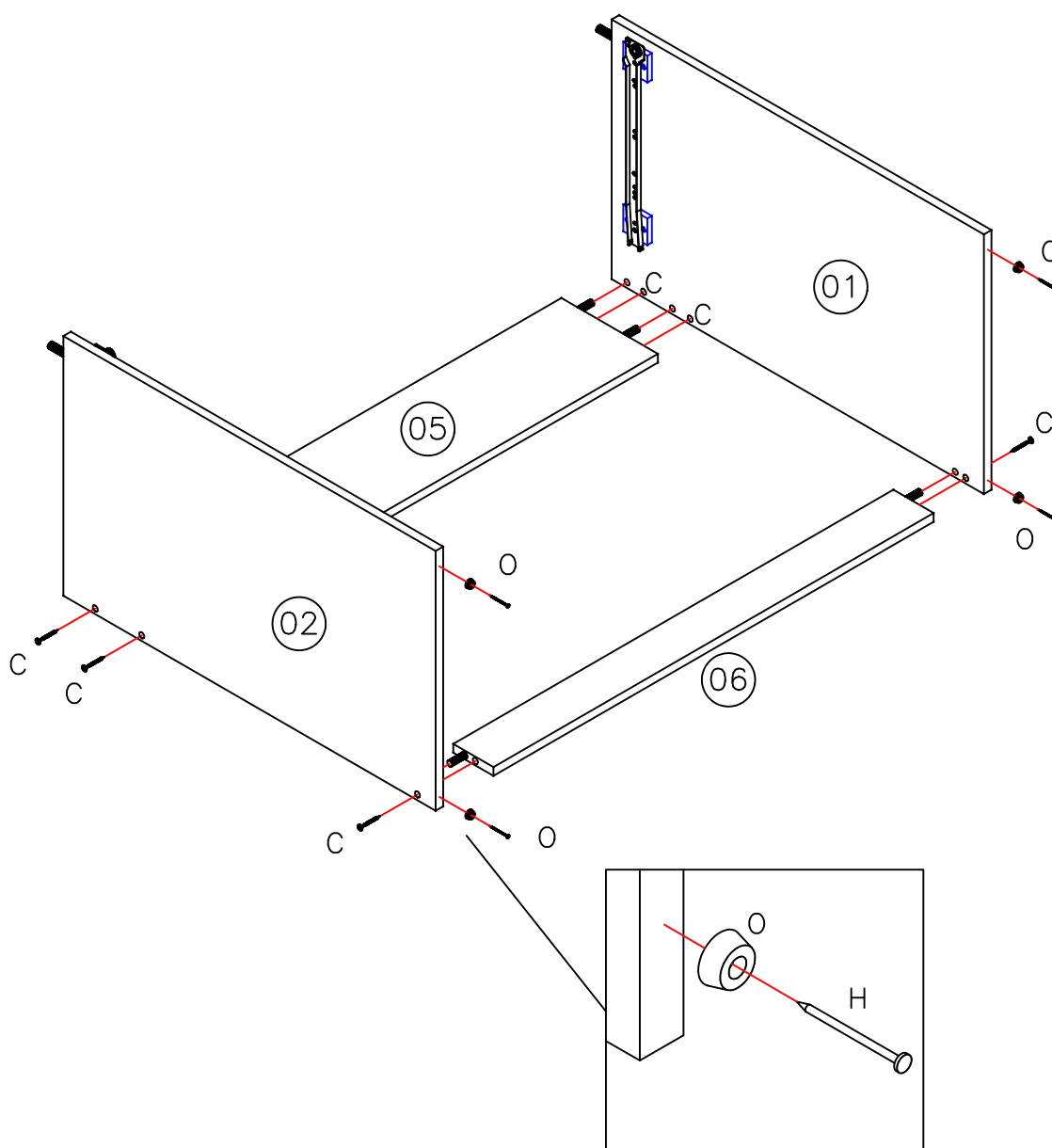
15

E		6
V		3
I		24

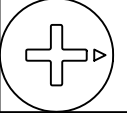
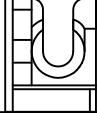
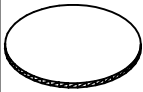


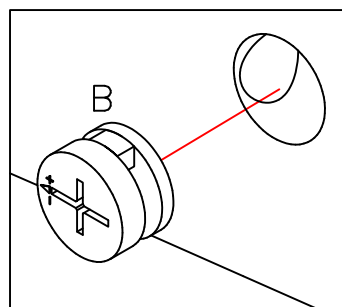
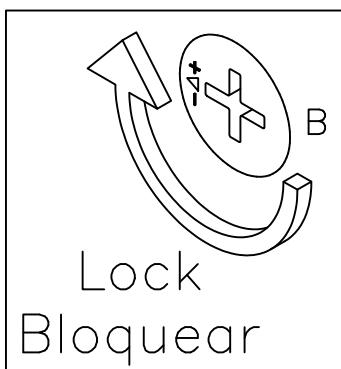
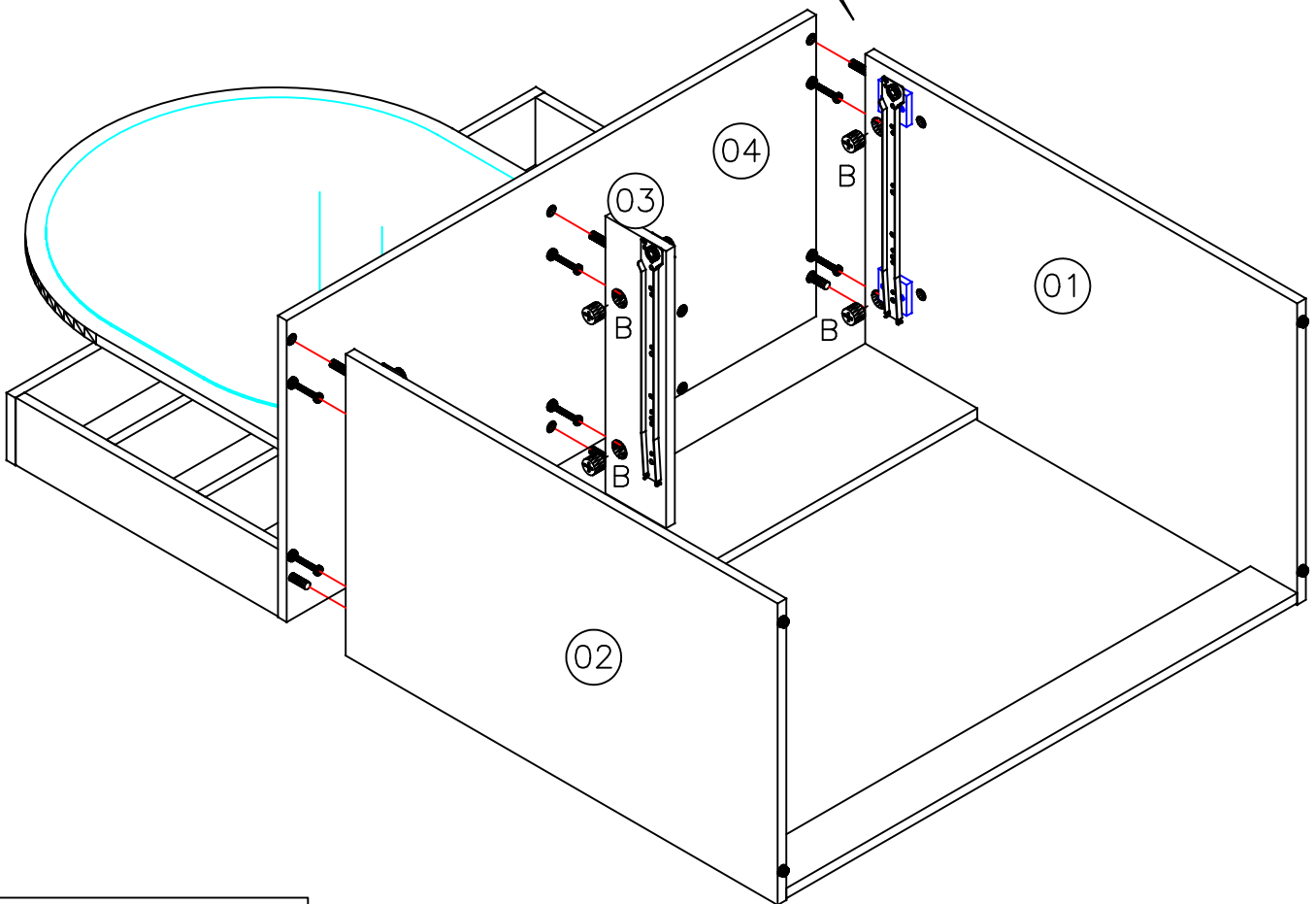
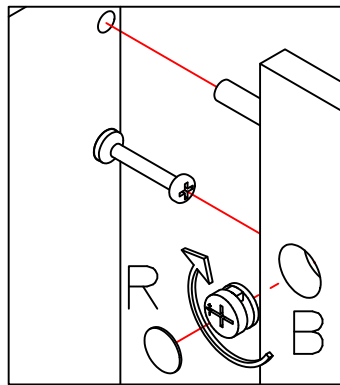
16

C			6
H			4
O			4
S			6



17

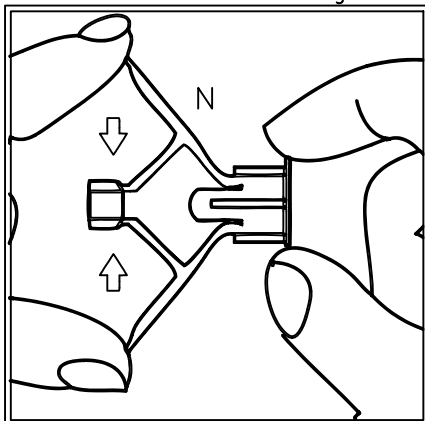
B			6
R			6



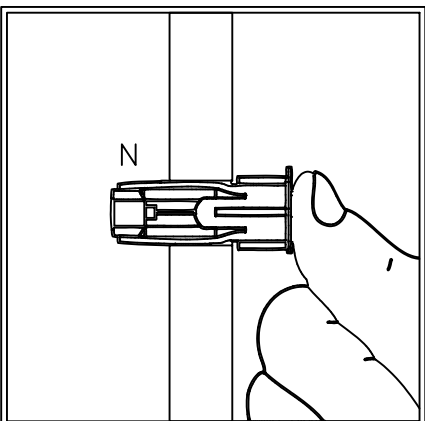
18

NOTE: Do not turn the DRYWALL ANCHOR into a wall stud. If you prefer to fasten the SAFETY ANTI-TIPPING to a wall stud, go to your local hardware store for proper hardware.

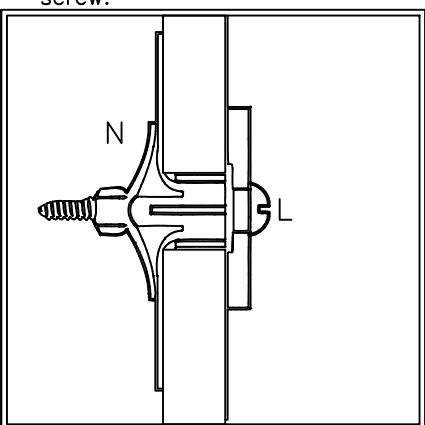
Compress the wings of anchor before inserting.



Insert the chuck into the hole of the base material.

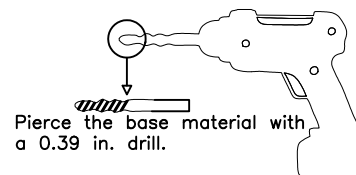
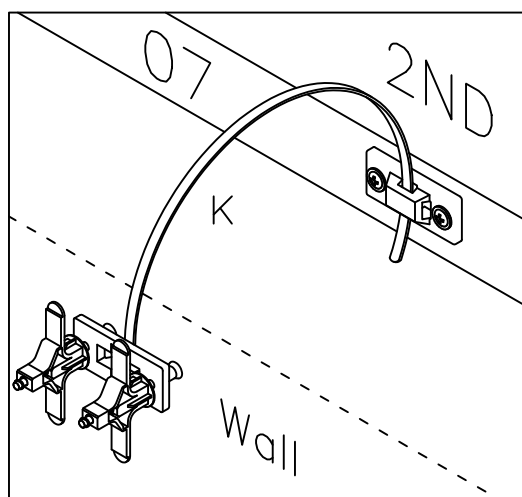
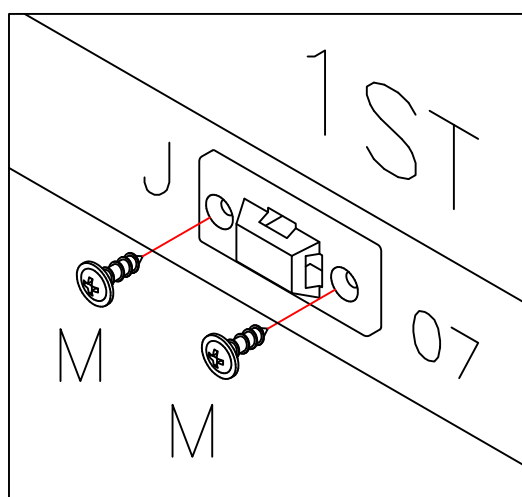


Position the object over the bushing and secure it with a screw.



▲ WARNING – Anti-Tip Advisory

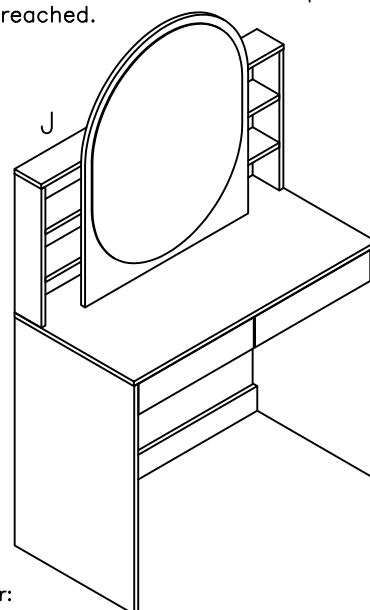
Anti-tipping installation			
J		Mounting bracket	2
K		Clamp	1
L		Screw 4,5x50	2
M		Screw 3,5x16 BC	2
N		Adapter sleeve	2



Pierce the base material with a 0.39 in. drill.

Important

- The minimum length of the screw must be the bushing length + object thickness that will be fixed.
- To guarantee the wing expansion function of the bushing, after the screw head is at the object to be fixed, one must continue to rotate the screw until maximum torque is reached.



Potential of serious fatal crushing injuries may occur from furniture tip-over. To help prevent tip-over:

ALWAYS INSTALL the tip-over restrain that came with your furniture. This tip-over restrains only reduces but does NOT completely eliminate the risk of tip-over

- ALWAYS Place the heaviest items in the lowest/bottom drawer.
- NEVER place TV's or other heavy objects on top of this product.
- NEVER allow children to scale/climb/hang on the drawers, doors, or shelves.
- NEVER open more than one drawer at a time.

B ADVERTENCIA – Aviso antivuelco

Pueden producirse lesiones graves por aplastamiento mortales debido al vuelco de los muebles. Para ayudar a prevenir vuelcos:

- SIEMPRE INSTALE el sistema de retención que viene con sus muebles. Este sistema antivuelco solo reduce pero NO elimina por completo el riesgo de vuelco.
- SIEMPRE coloque los artículos más pesados en el cajón más bajo /inferior.
- NUNCA coloque televisores u otros objetos pesados encima de este producto.
- NUNCA permita que los niños escalen, trepen o se cuelguen de los cajones, puertas o estantes.
- NUNCA abra más de un cajón a la vez



Drawer installation

Insert the slide into the profile and close the drawer to finish locking the clip.

