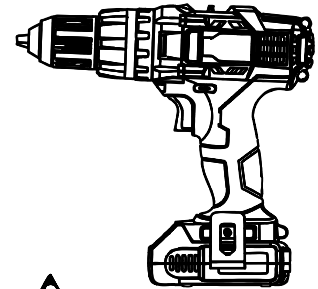
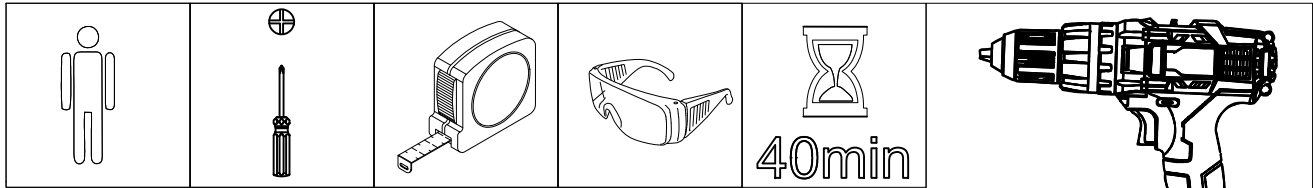


# ASSEMBLY INSTRUCTIONS

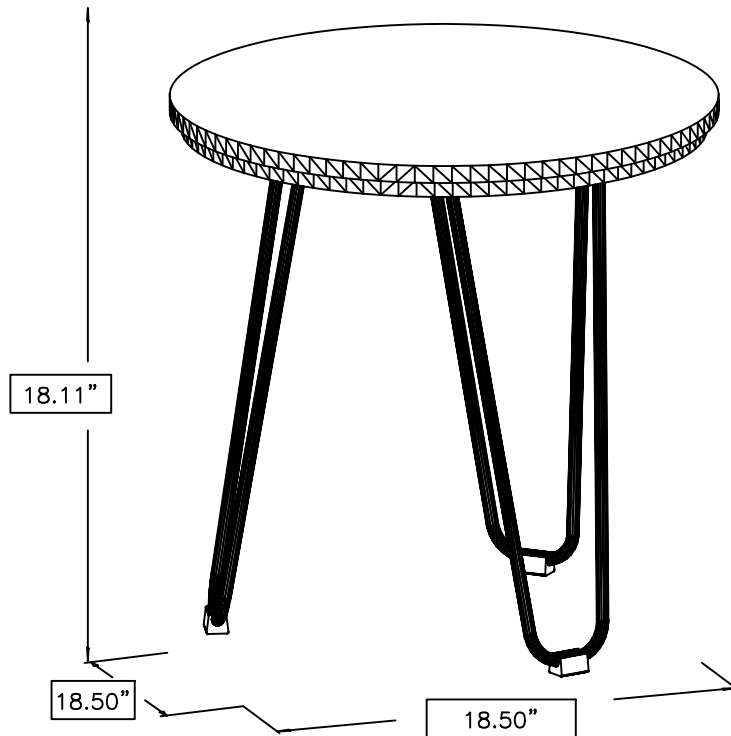
01/04  
EU014



Warning –  
CHOKING HAZARD – Small Parts Not for children under 3 years. Adult assembly required.



Although not required, it is recommended that a drill be used to help ease the assembly process, as some holes are not pre-drilled.



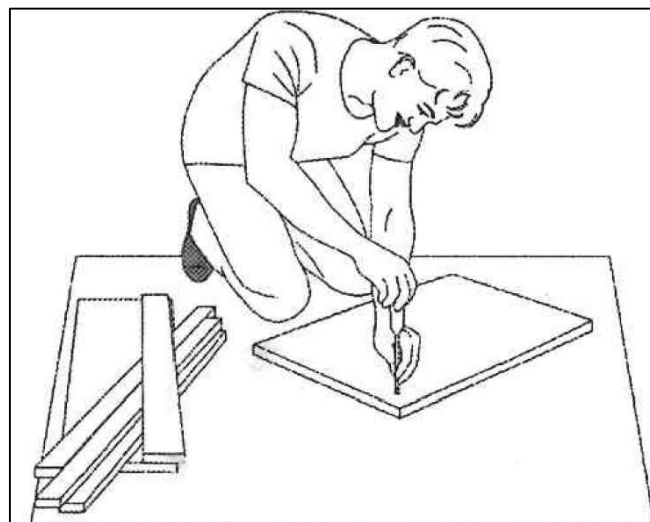
18.11"

18.50"

18.50"



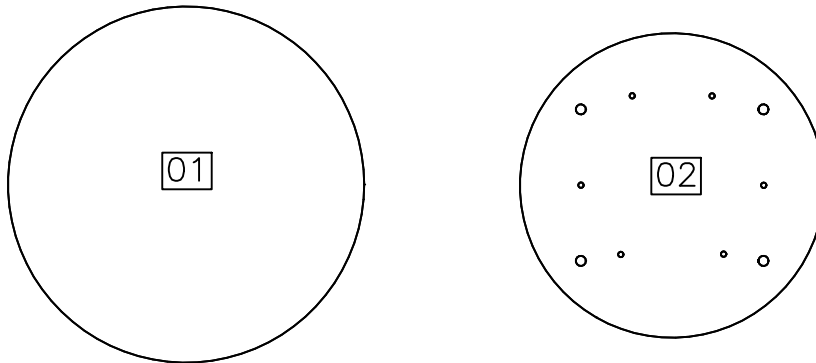
It is recommended the use of the box in which your furniture arrived in, be opened, and laid out on the floor as your work area. This helps prevent an unnecessary damages from occurring.



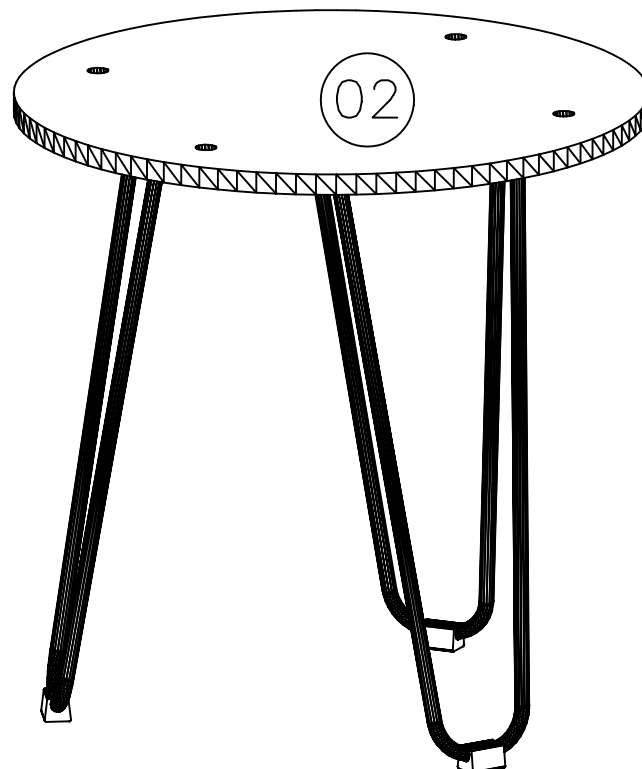
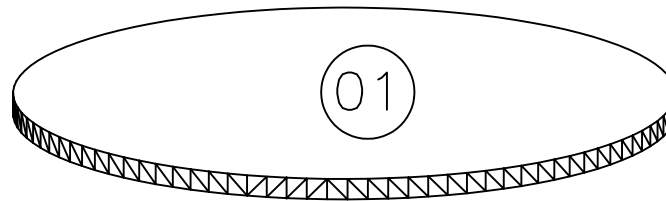
List of pieces

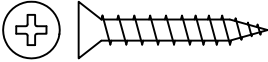

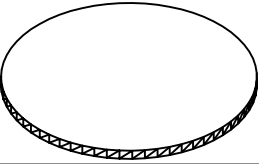
Code	Description	Amount	Length (in.)	Width (in.)	Thickness (in.)	Box
01	Bigger top	1	18.54"	18.54"	.59"	A
02	Lower Top	1	17.76"	17.76"	.59"	A

For issues with ASSEMBLY or PARTS please contact [CS@k1intlgrp.com](mailto:CS@k1intlgrp.com) or Toll-free 1-877-250-2820.



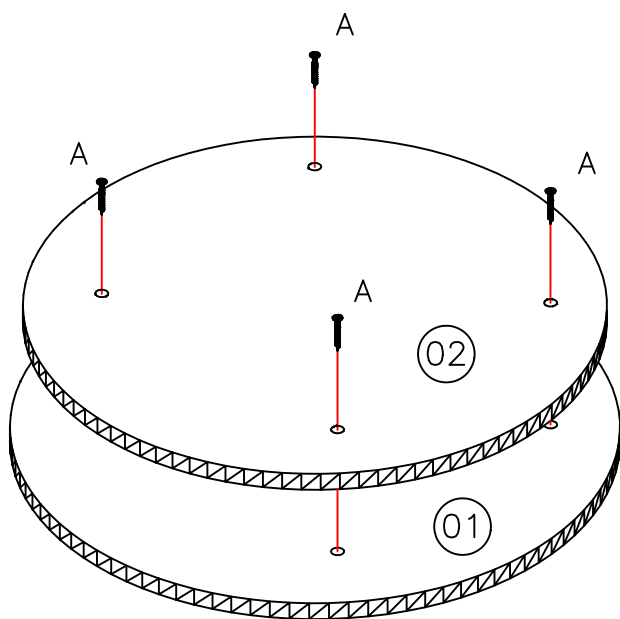
Part Identification

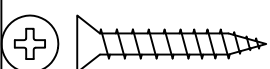
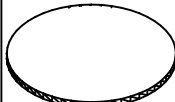


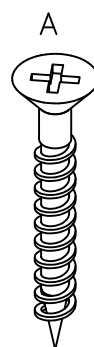
Hardware			
	Code	Description	Amou.
A	491	 <p>Screw 4x25</p>	19
B	EBPR1=55859 (Preto Fosco)	 <p>Metal foot tube</p>	3
C	EBPR1=23933 (Ébano chess)	 <p>Screw cap cover 13mm</p>	4
01 Saco pequeno para acessórios (Internal production data)			



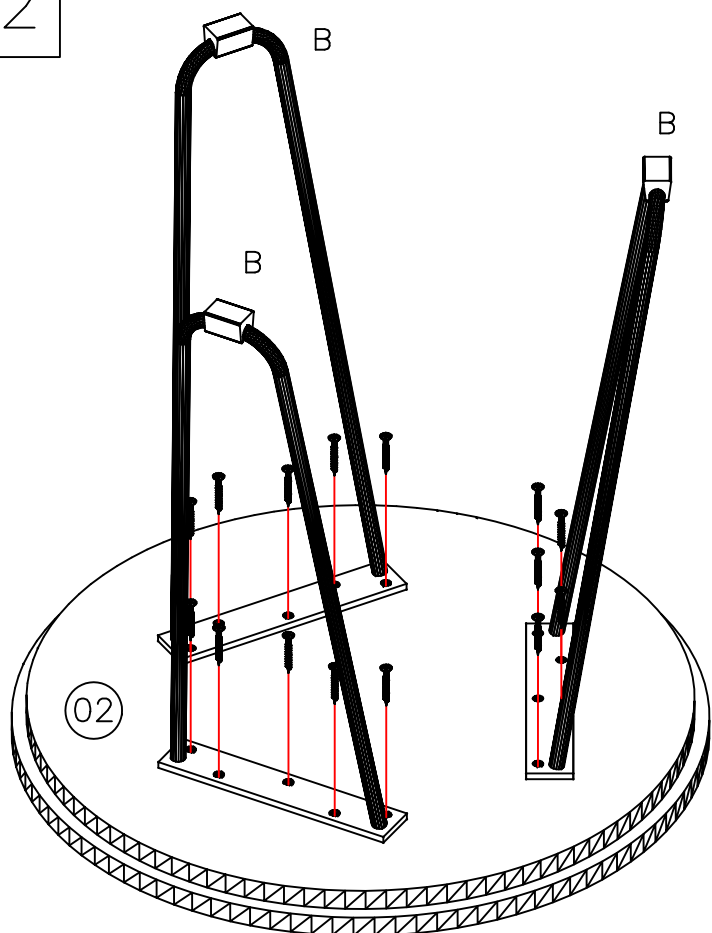
1

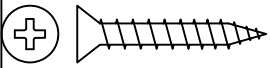
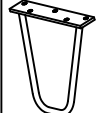


A		4
C		4



2



A		15
B		3

