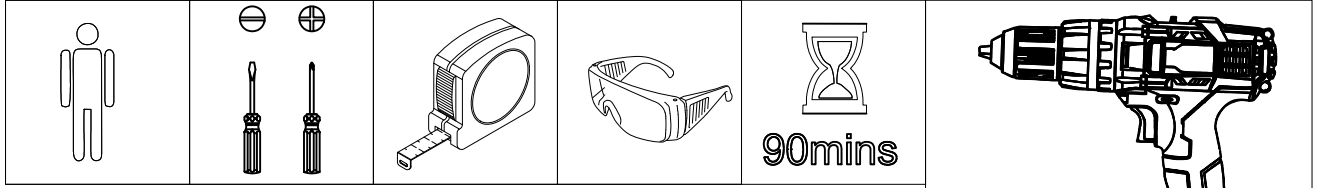


ASSEMBLY INSTRUCTIONS

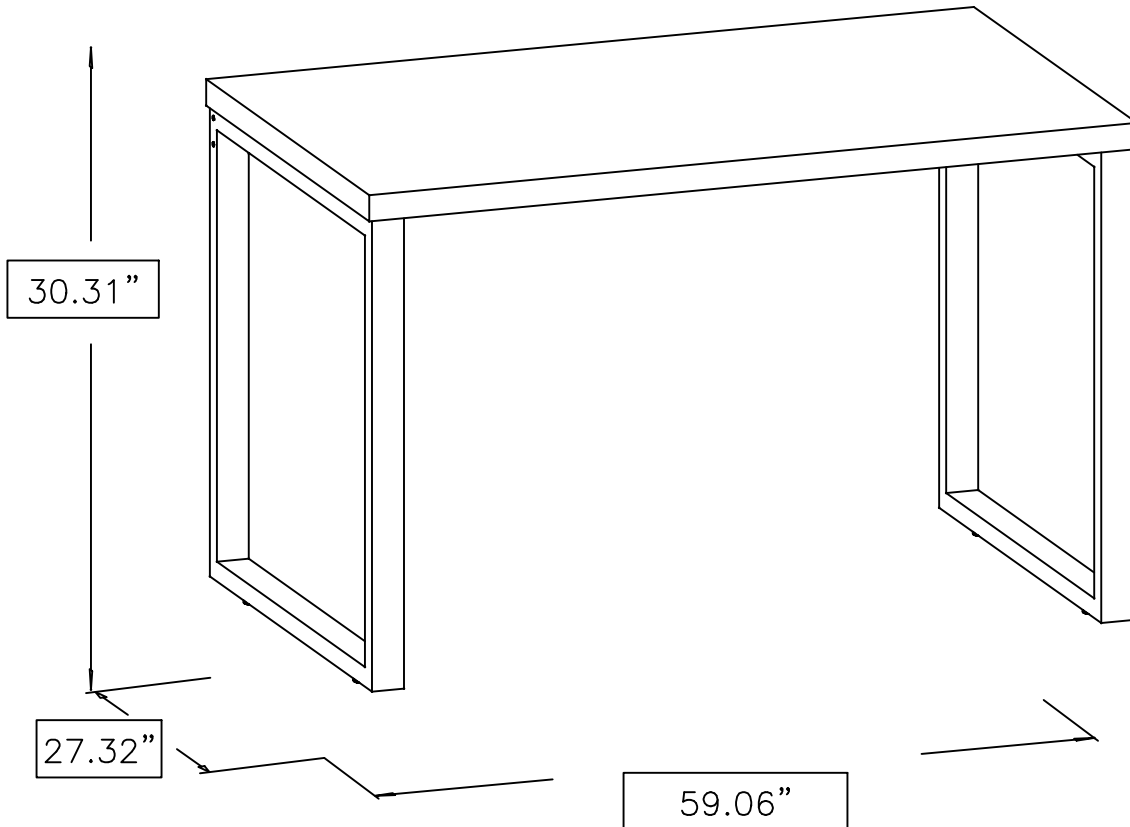
01/05
EU033



Warning –
CHOKING HAZARD – Small Parts Not for children under 3 years. Adult assembly required.



Although not required, it is recommended that a drill be used to help ease the assembly process, as some holes are not pre-drilled.

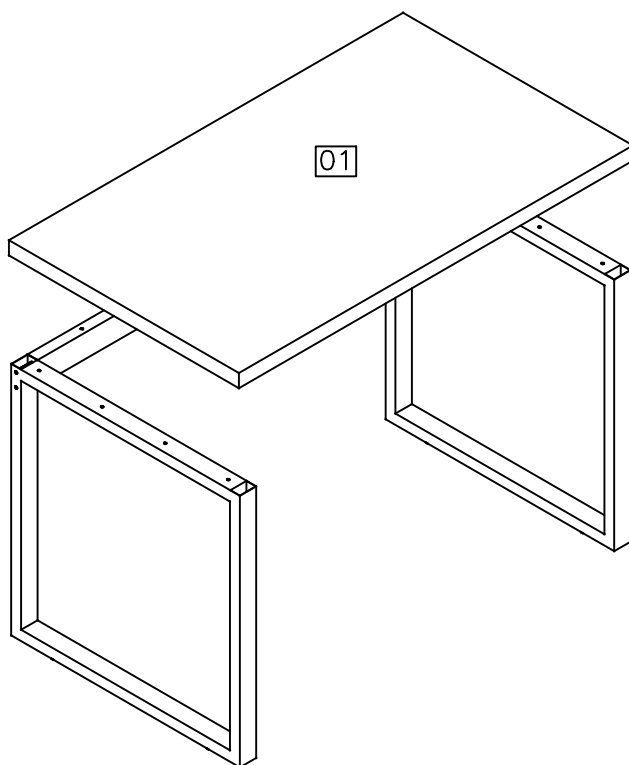


List of pieces

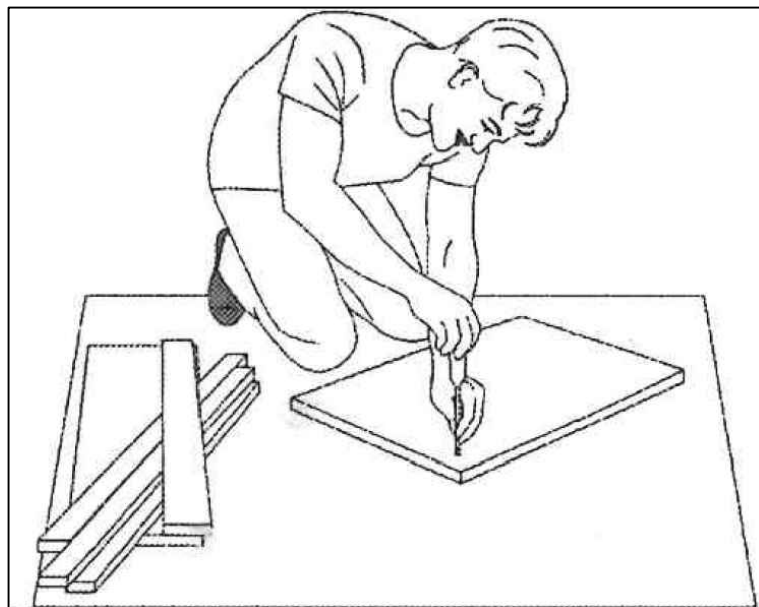
Code	Description	Amount	Length (in.)	Width (in.)	Thickness (in.)	Box
01	Top panel	1	59.06"	27.32"	.98"	A

For issues with ASSEMBLY or PARTS please contact CS@k1intlgrp.com or Toll-free 1-877-250-2820.

Part Identification


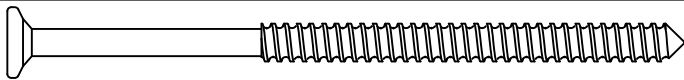
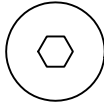
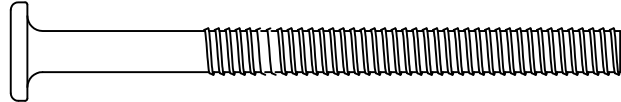

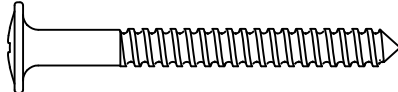
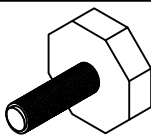
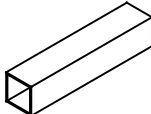
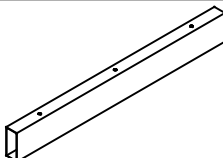

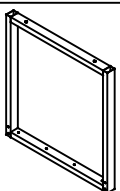
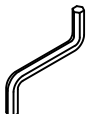
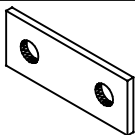


It is recommended the use of the box in which your furniture arrived in, be opened, and laid out on the floor as your work area. This helps prevent an unnecessary damages from occurring.



T
O
S
C
A
L
E

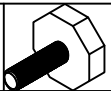
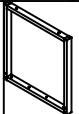
N
O
T
O
S
C
A
L
E

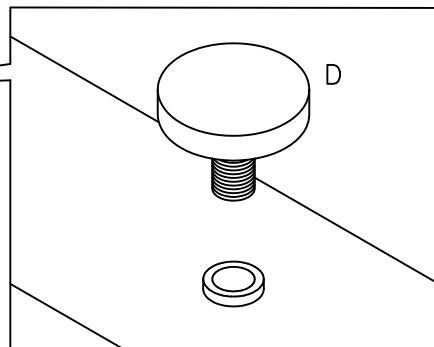
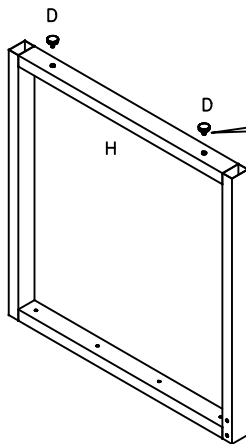
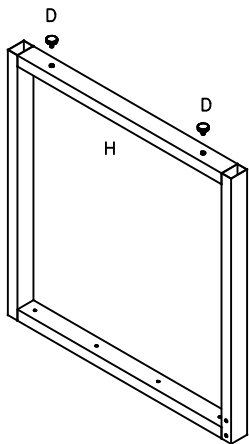
Hardware				
	Code	Description		Amou.
A	23673			Flat screw 5,0x90 3
B	40587			Structural screw 1/4x80 4
C	95			Screw 5,0x50 8
D	10101			Shoe 1/4x10 4
E	40647			Handle retractor 30x50 4
F	BR=55801 (Branco fosco) EB=40575 (Preto fosco)			stringers 1390mm 1
G	BR=19249 (Branco) EB=48 (Preto)			Cover CPL 4
H	BR=55802 (Branco fosco) EB=55907 (Preto fosco)			Pair of feet 2
I	248			Allen key 1/4" 1
J	41442			Tube support 30x50 2
01 Saco pequeno para acessórios (Internal production data)				





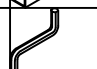

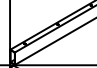

1

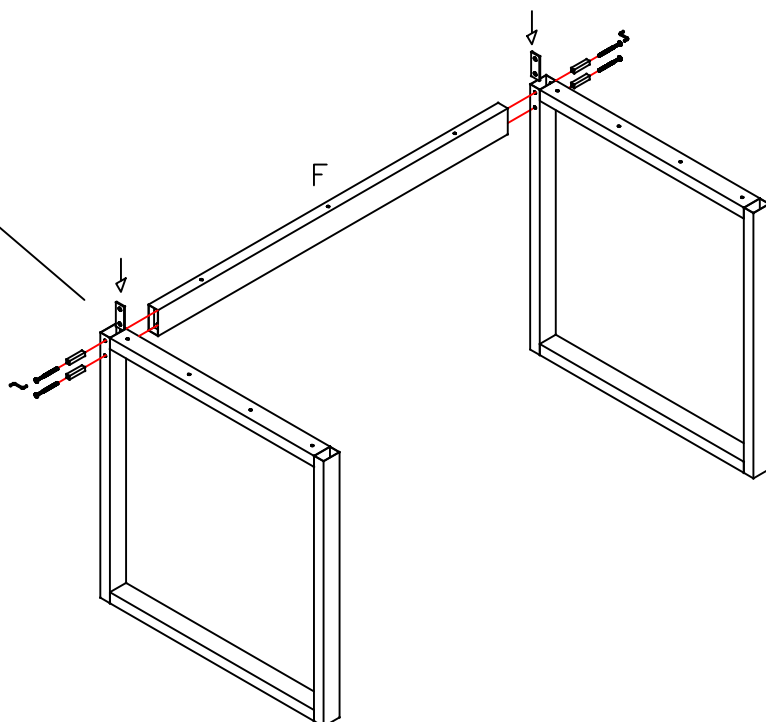
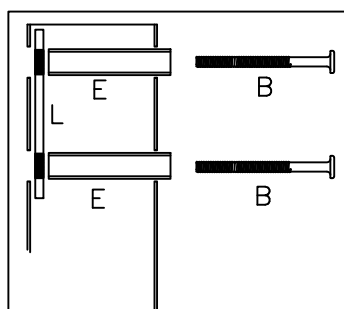
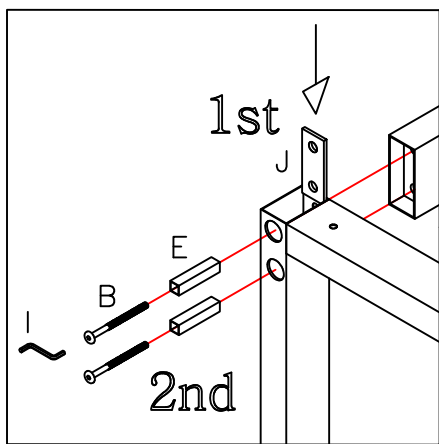
Preassembly of parts

D		4
H		2

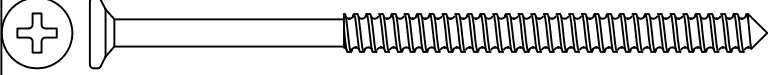
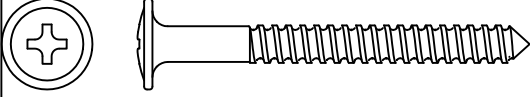


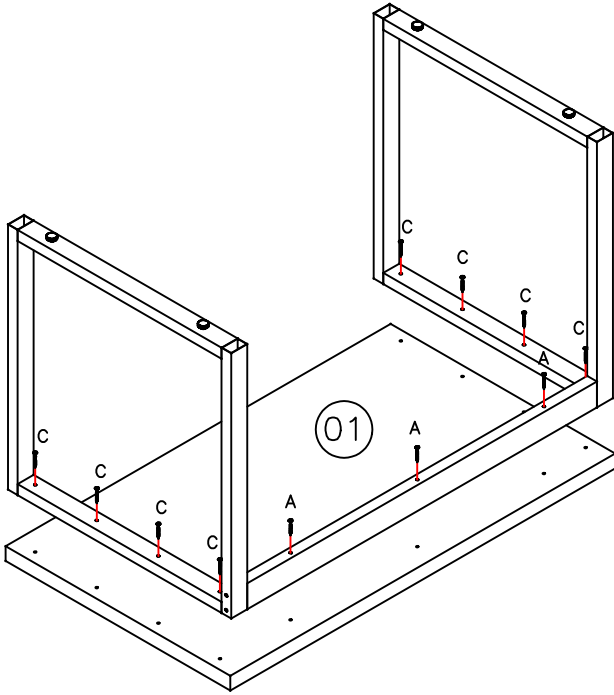
2


B		4
E		4
I		1
G		4
F		1
J		2

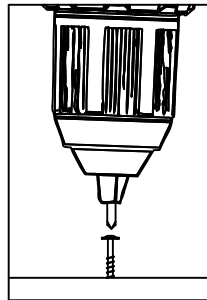


3

A		3
C		8

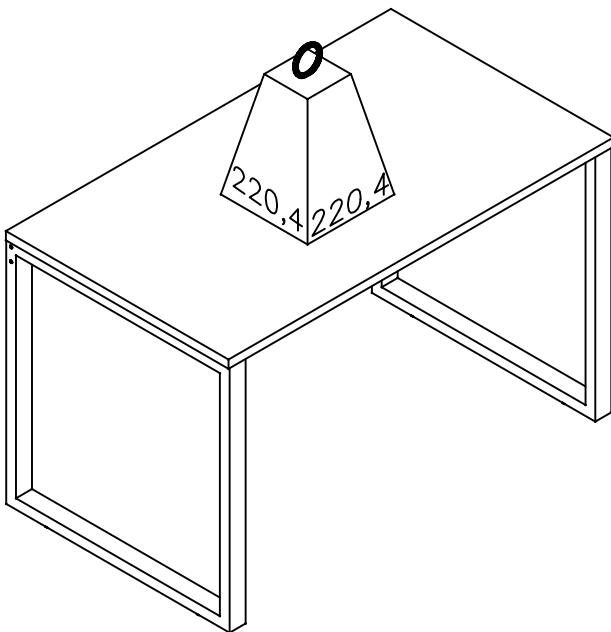



To fix the base, use the markings on the top panel.



Use a drill for fastening the screws "A" e "C"

4



If you still have doubts regarding the assembly of the base, access the site through the QR CODE

